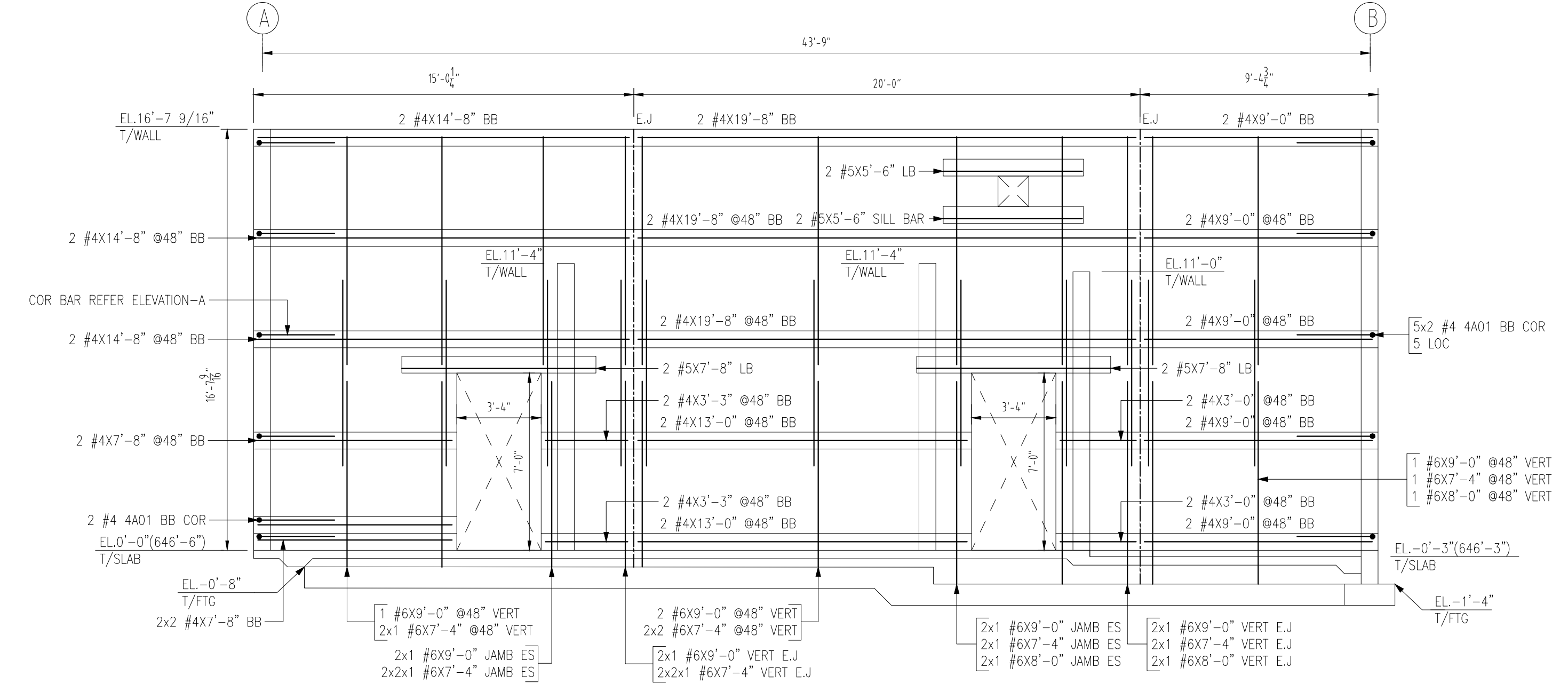
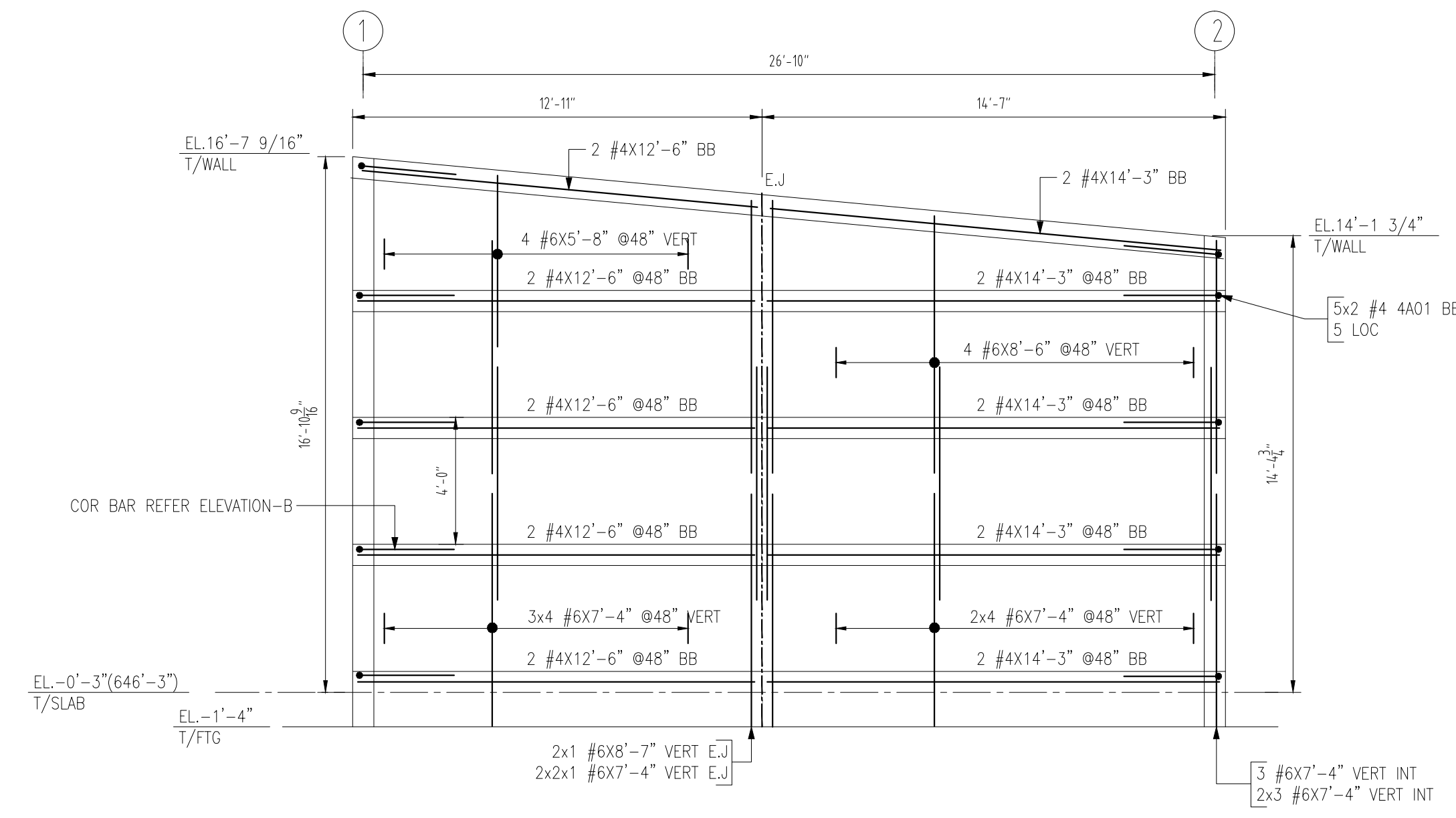


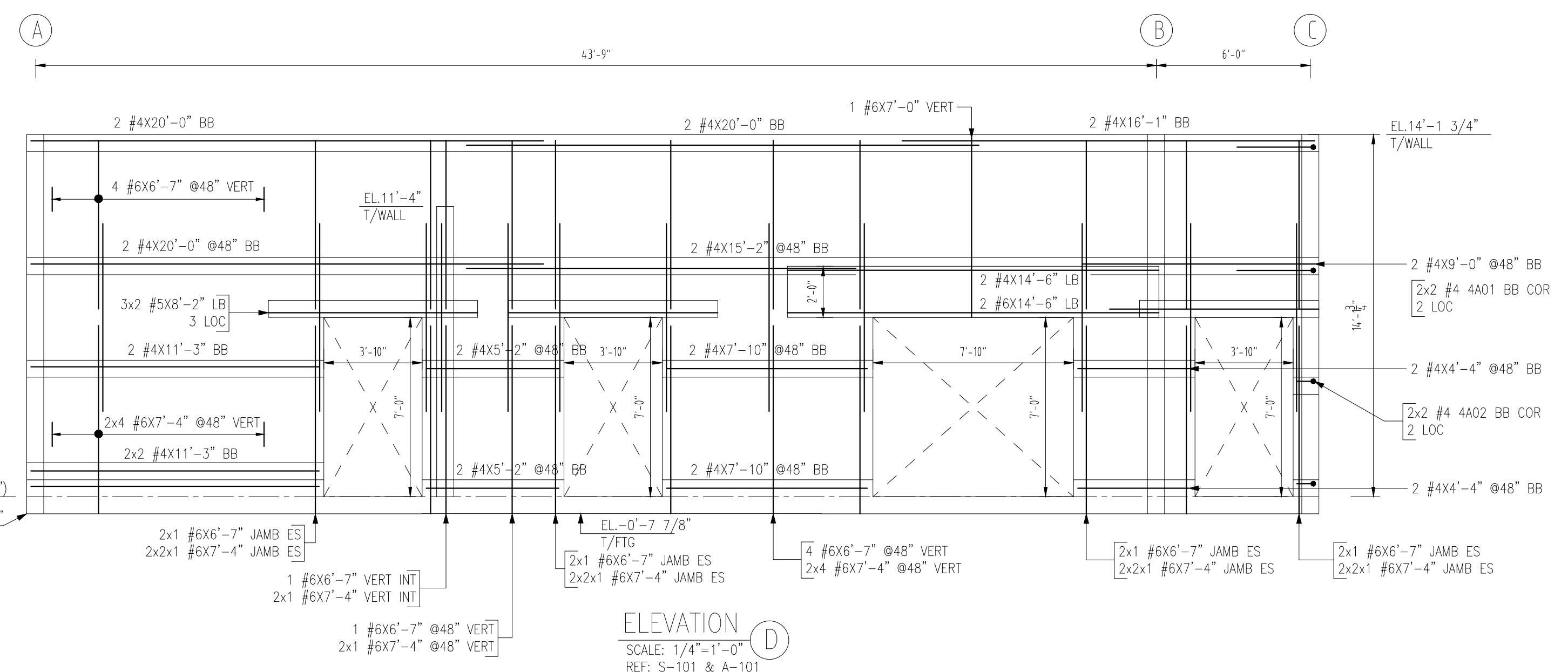
ELEVATION A
SCALE: 1/4"=1'-0"
REF: S-101 & A-101



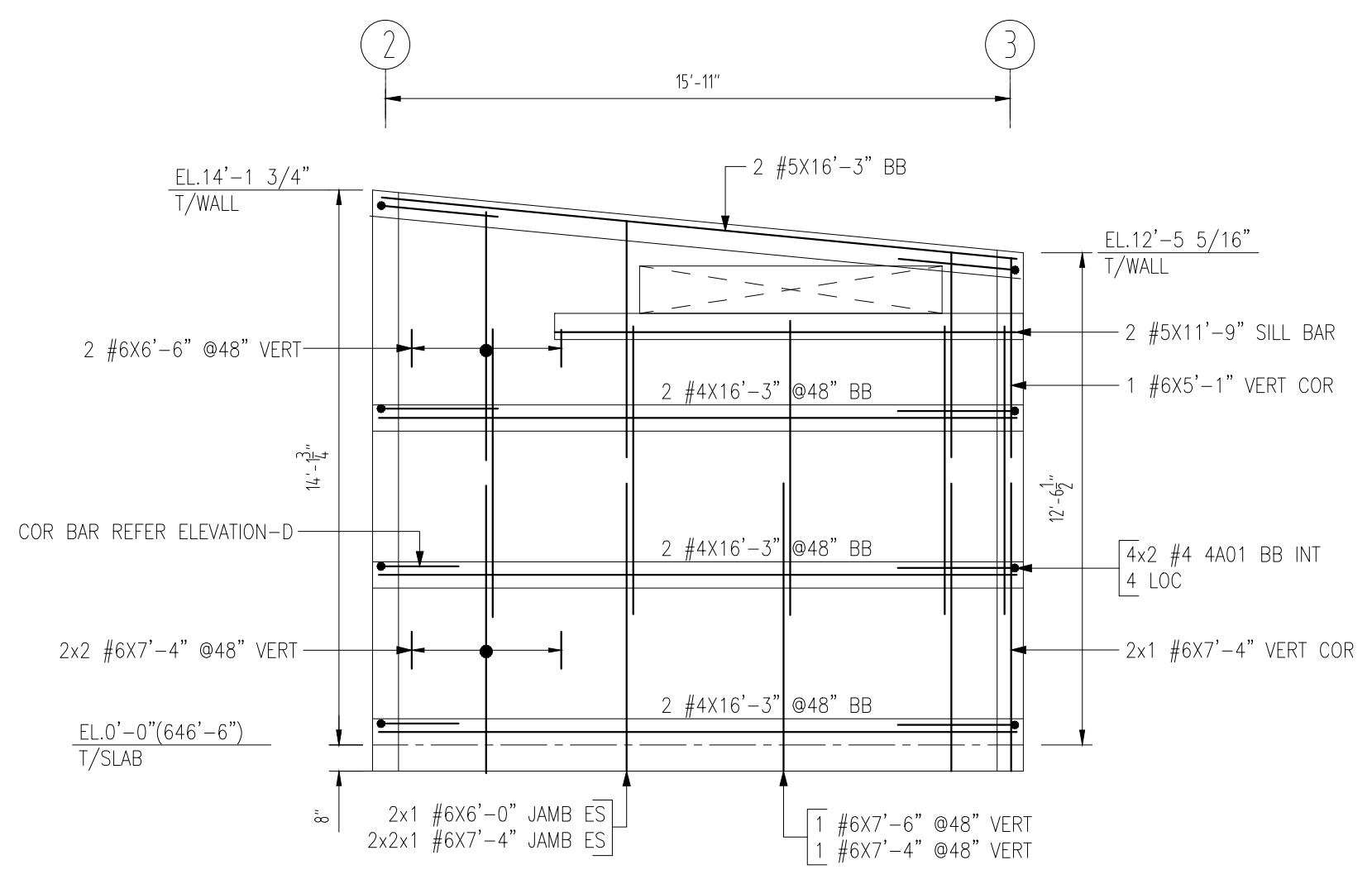
ELEVATION B
SCALE: 1/4"=1'-0"
REF: S-101 & A-101



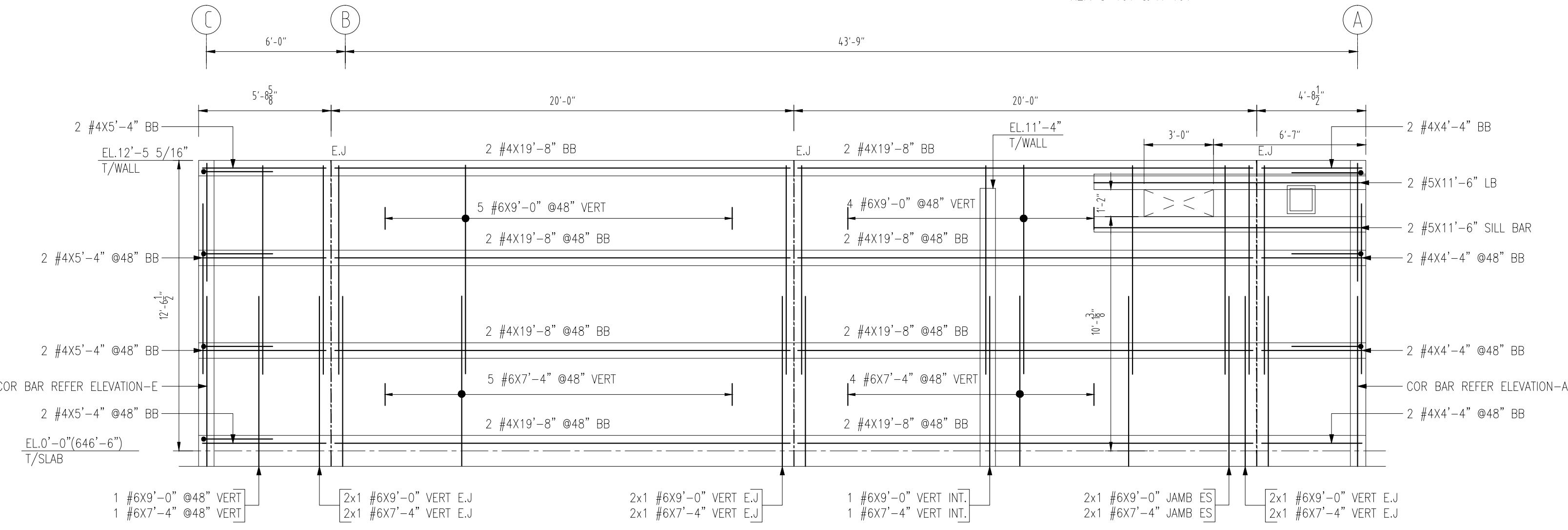
ELEVATION C
SCALE: 1/4"=1'-0"
REF: S-101 & A-101



ELEVATION D
SCALE: 1/4"=1'-0"
REF: S-101 & A-101



ELEVATION E
SCALE: 1/4"=1'-0"
REF: S-101 & A-101



ELEVATION F
SCALE: 1/4"=1'-0"
REF: S-101 & A-101

SAMPLE