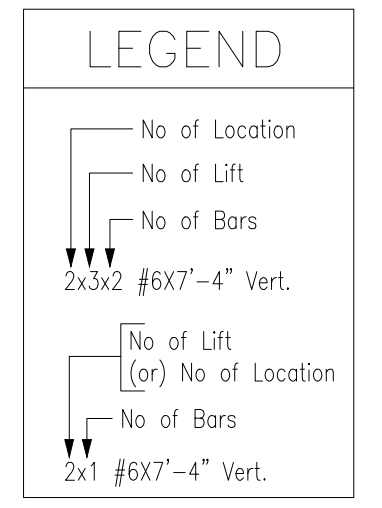


CONTINUATION REFER TO R08

MATCH LINE AA

**ELEVATION** (A)  
 SCALE: 1/4"=1'-0"  
 SDR : S-101A TO S-104B, S-530 TO S-531, S-601,  
 ADR : A-101A TO A-101C, A-102A TO A-102C, A-103A TO A-103C & A-104A TO A-104C

ALL BARS IN THIS DRAWING  
 ASTM A615 GRADE 60  
 BLACK UNCOATED  
 EXCEPT (E) NOTED



CMU WALL LAP SCHEDULE			
BAR DIA	8" CMU: ONE BAR IN CELL OR COURSE	12" CMU: ONE BAR IN CELL OR COURSE	TWO BARS IN CELL OR COURSE
#4	24"	24"	36"
#5	24"	24"	45"
#6	43"	28"	54"

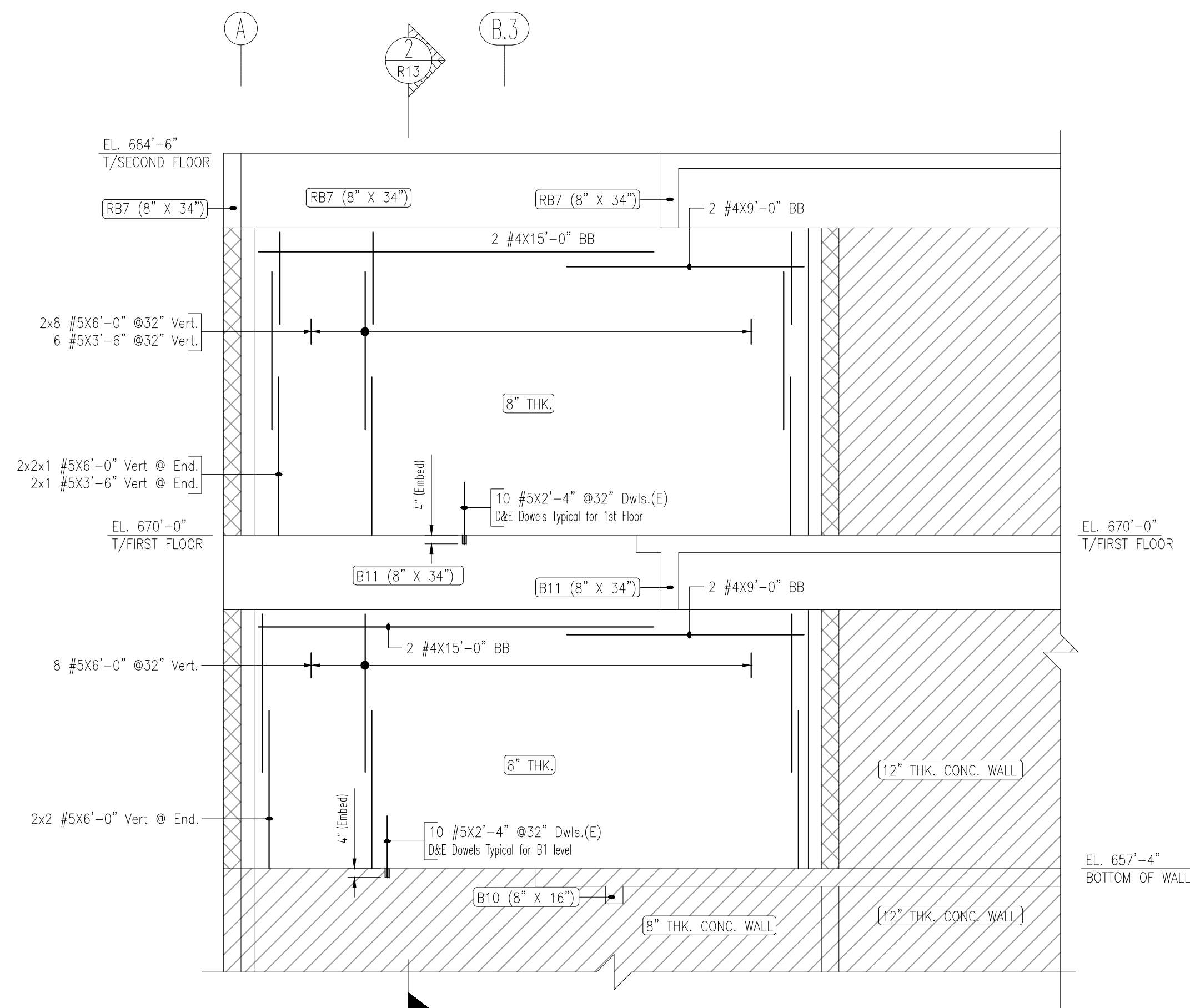
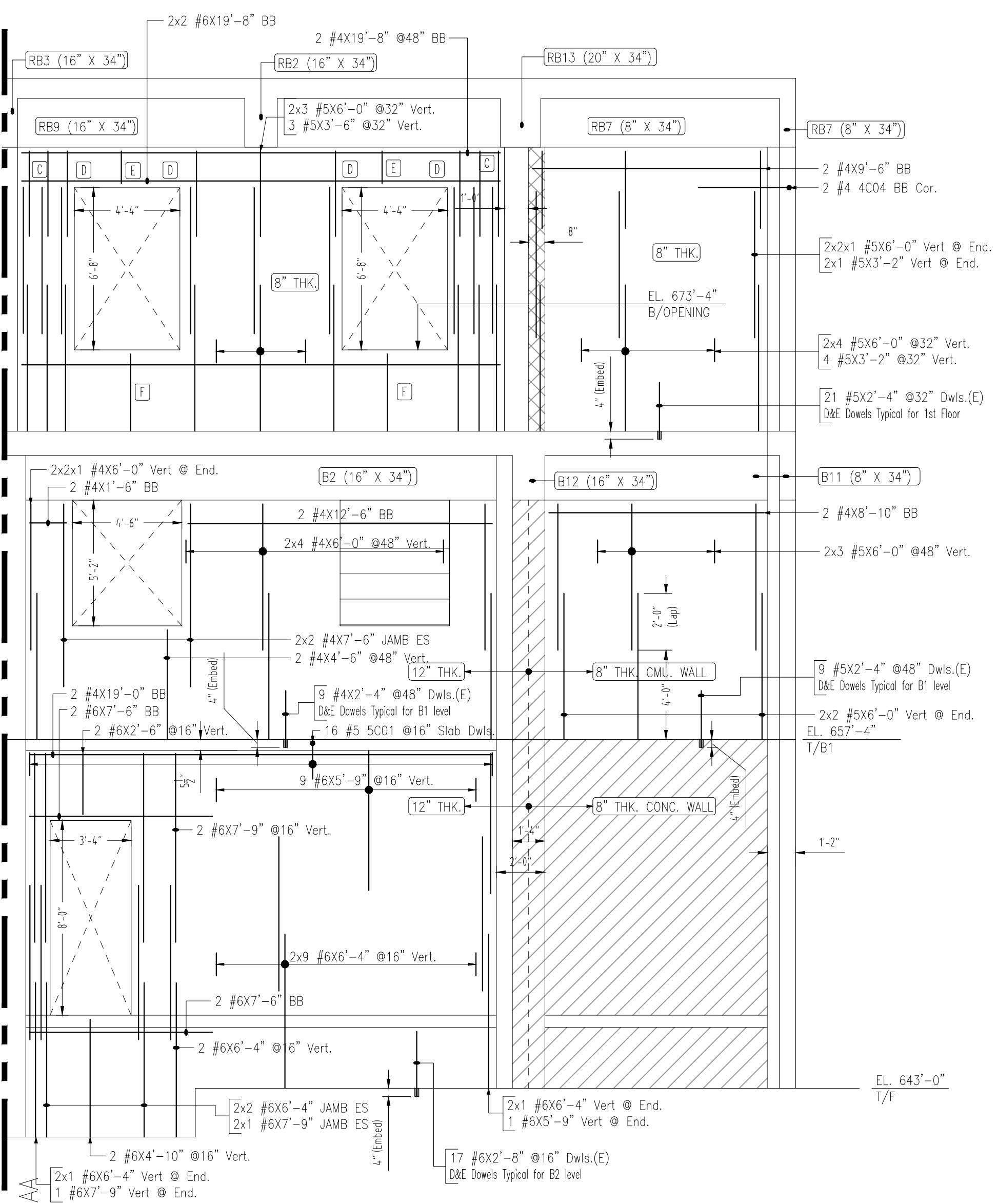
SAMPLE

CONTINUATION REFER TO R07

MATCH LINE AA

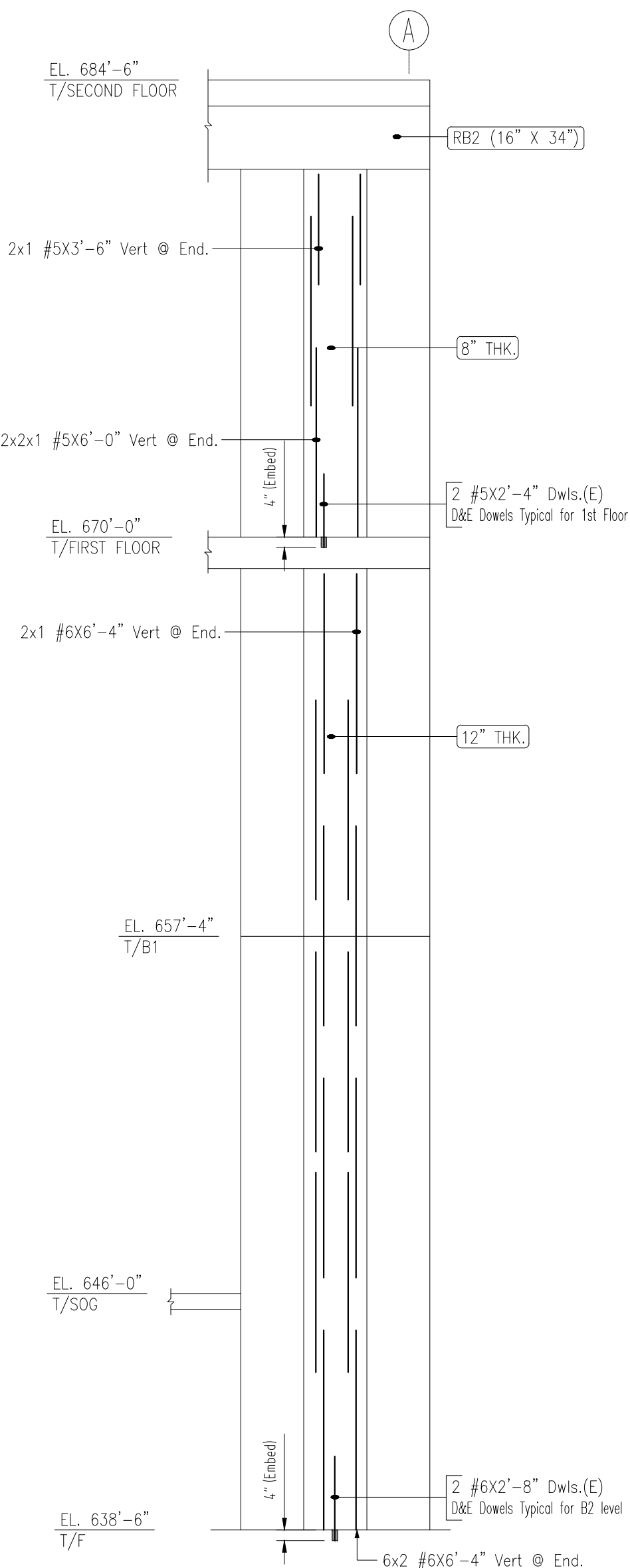
**ELEVATION CONT... (A)**

SCALE: 1/4"=1'-0"  
 SDR : S-101A TO S-104B, S-530 TO S-531, S-601,  
 ADR : A-101A TO A-101C, A-102A TO A-102C, A-103A TO A-103C & A-104A TO A-104C



**ELEVATION (B)**

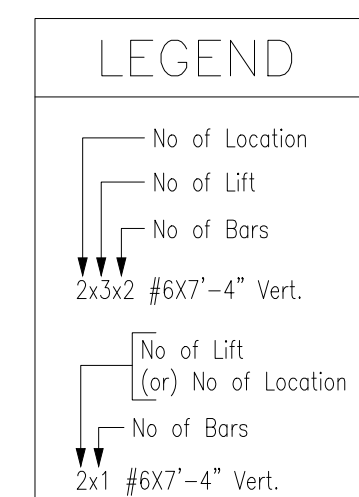
SCALE: 1/4"=1'-0"  
 SDR : S-101A TO S-104B, S-530 TO S-531, S-601,  
 ADR : A-101A TO A-101C, A-102A TO A-102C, A-103A TO A-103C & A-104A TO A-104C



**ELEVATION (C)**

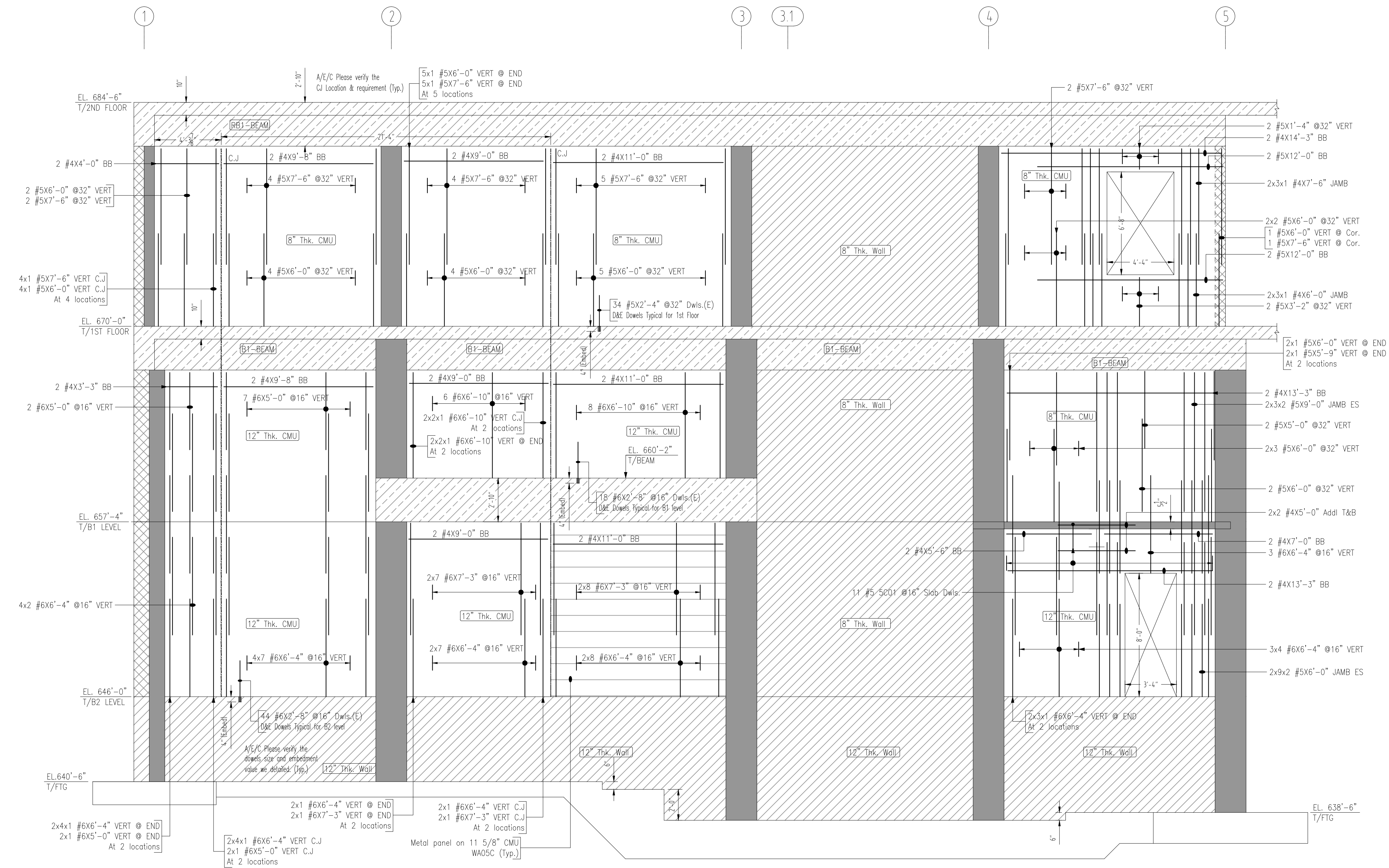
SCALE: 1/4"=1'-0"  
 SDR : S-101A TO S-104B, S-530 TO S-531, S-601,  
 ADR : A-101A TO A-101C, A-102A TO A-102C, A-103A TO A-103C & A-104A TO A-104C

ALL BARS IN THIS DRAWING  
 ASTM A615 GRADE 60  
 BLACK UNCOATED  
 EXCEPT (E) NOTED

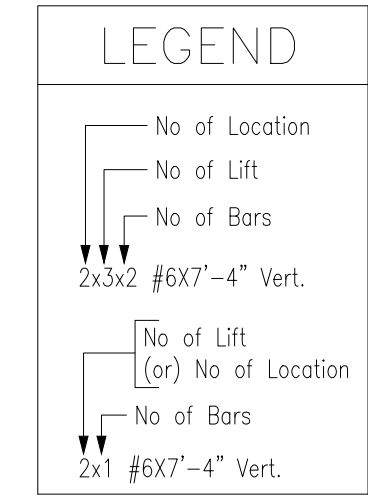


CMU WALL LAP SCHEDULE			
BAR DIA	8" CMU: ONE BAR IN CELL OR COURSE	12" CMU: ONE BAR IN CELL OR COURSE	TWO BARS IN CELL OR COURSE
#4	24"	24"	36"
#5	24"	24"	45"
#6	43"	38"	54"

SAMPLE



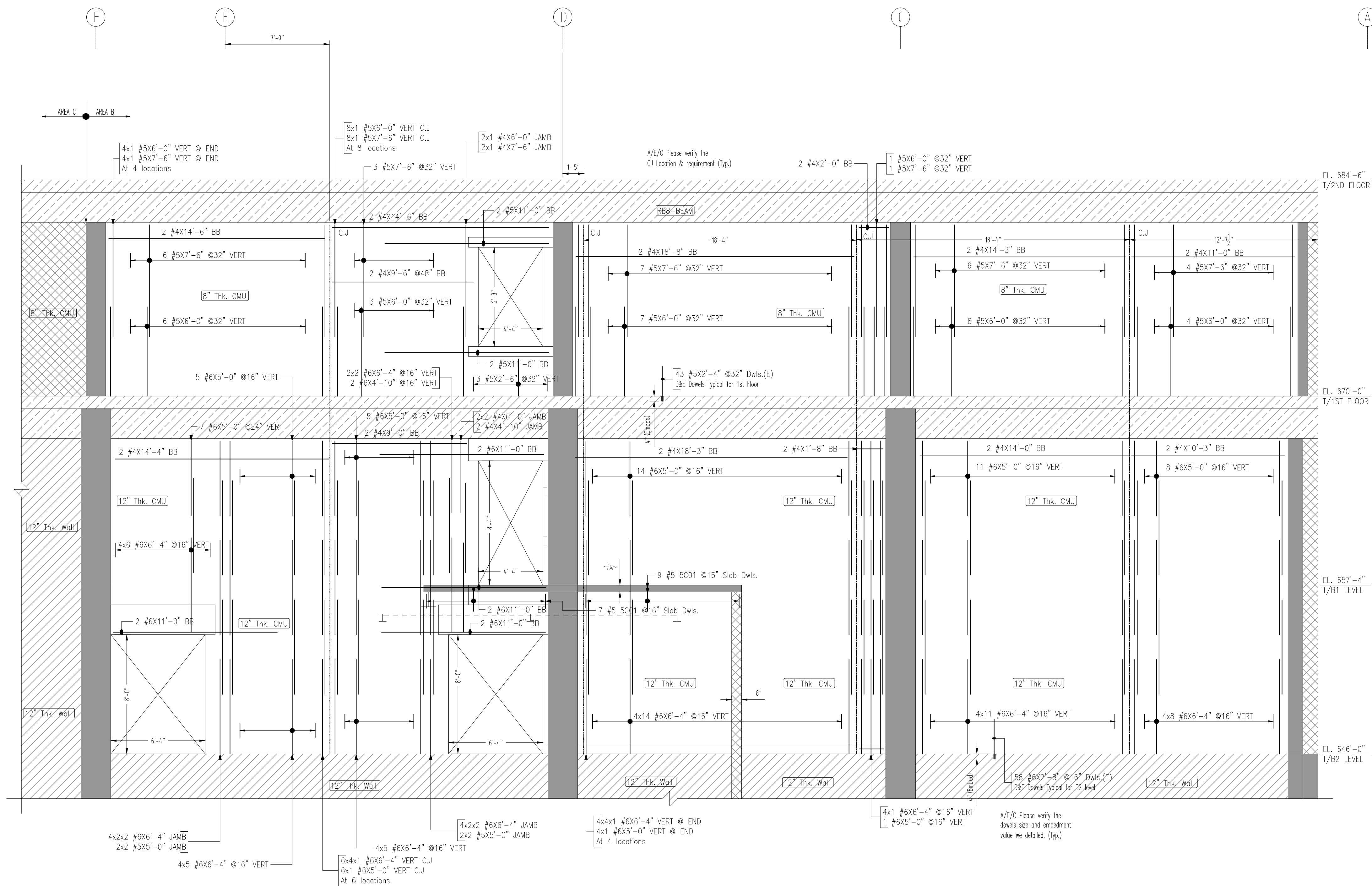
ALL BARS IN THIS DRAWING  
ASTM A615 GRADE 60  
BLACK UNCOATED  
EXCEPT (E) NOTED



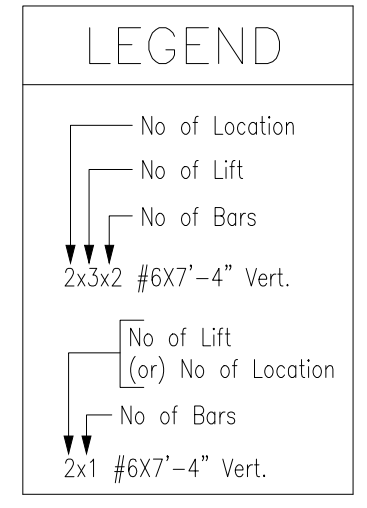
CMU WALL			
LAP SCHEDULE			
BAR DIA	8" CMU: ONE BAR IN CELL OR COURSE	12" CMU: ONE BAR IN CELL OR COURSE	TWO BARS IN CELL OR COURSE
#4	24"	24"	36"
#5	24"	24"	45"
#6	43"	28"	54"

ELEVATION **D**  
SCALE: 1/4"=1'-0"  
SDR : S-101A TO S-104B, S-530 TO S-531, S-601,  
ADR : A-101A TO A-101C, A-102A TO A-102C, A-103A TO A-103C & A-104A TO A-104C

SAMPLE



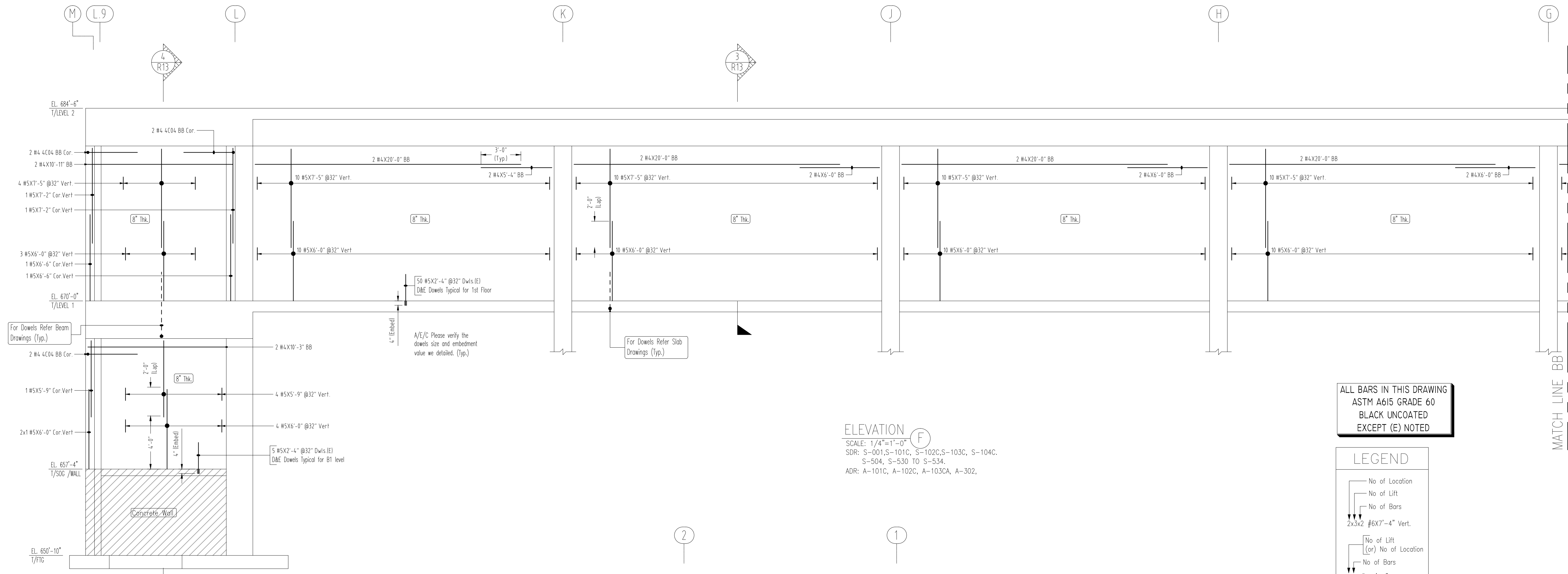
ALL BARS IN THIS DRAWING  
ASTM A615 GRADE 60  
BLACK UNCOATED  
EXCEPT (E) NOTED



CMU WALL LAP SCHEDULE			
BAR DIA	8" CMU: ONE BAR IN CELL OR COURSE	12" CMU: ONE BAR IN CELL OR COURSE	TWO BARS IN CELL OR COURSE
#4	24"	24"	36"
#5	24"	24"	45"
#6	43"	28"	54"

**ELEVATION E**  
SCALE: 1/4"=1'-0"  
SDR : S-101A TO S-104B, S-530 TO S-531, S-601,  
ADR : A-101A TO A-101C, A-102A TO A-102C, A-103A TO A-103C & A-104A TO A-104C

SAMPLE



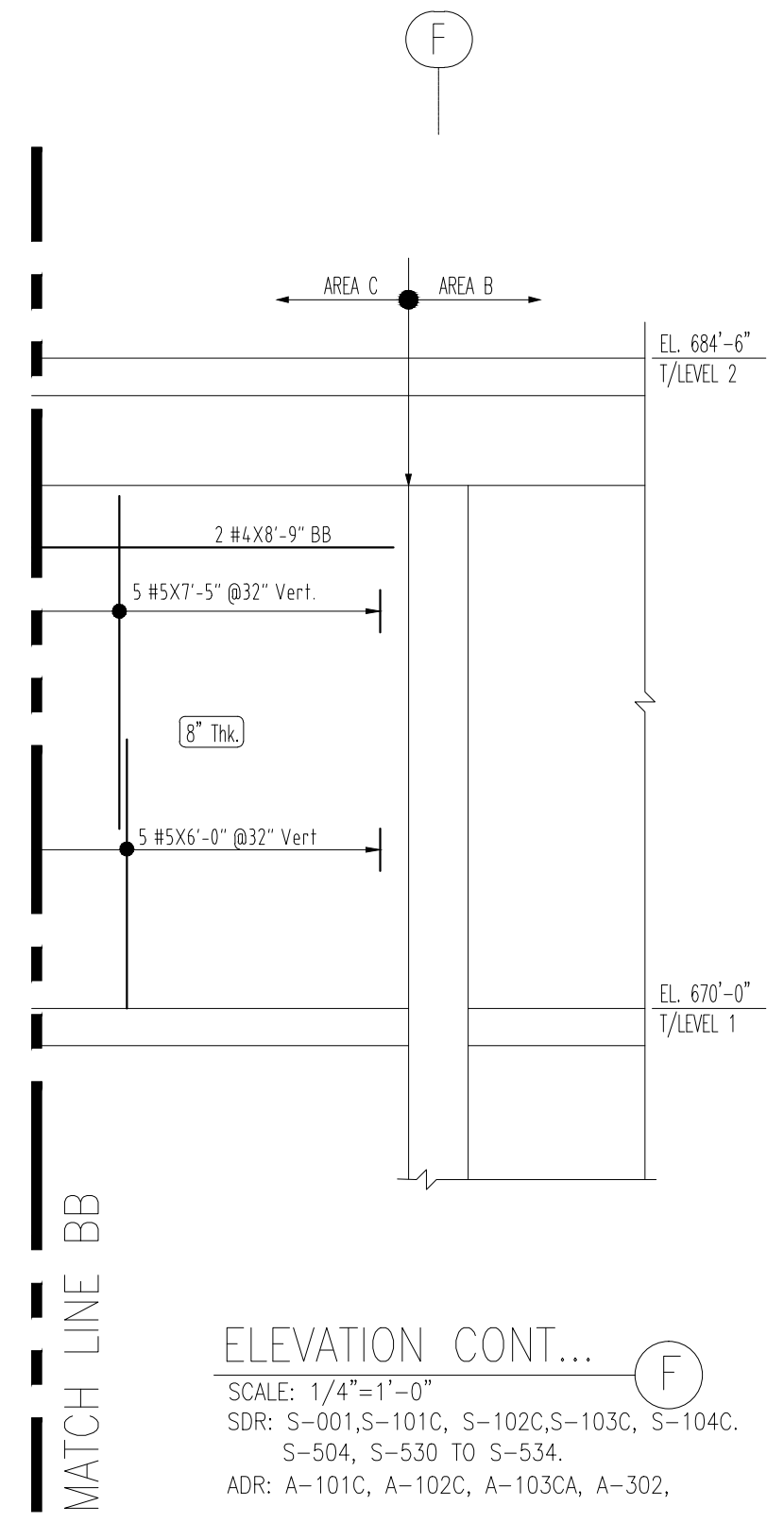
**ELEVATION F**  
 SCALE: 1/4"=1'-0"  
 SDR: S-001,S-101C, S-102C,S-103C, S-104C.  
 S-504, S-530 TO S-534.  
 ADR: A-101C, A-102C, A-103CA, A-302.

ALL BARS IN THIS DRAWING  
 ASTM A615 GRADE 60  
 BLACK UNCOATED  
 EXCEPT (E) NOTED

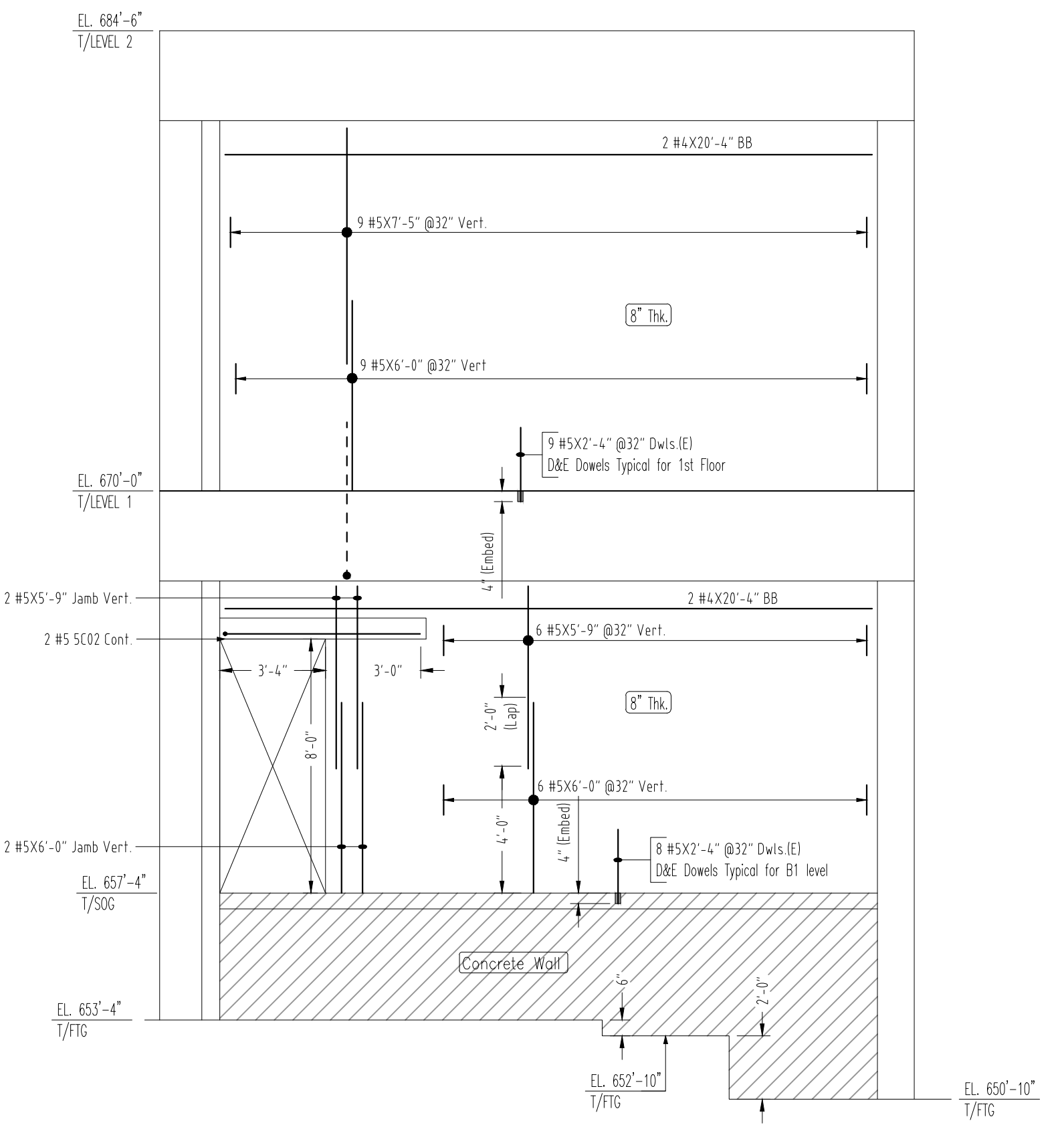
**LEGEND**

- No of Location
- No of Lift
- No of Bars
- 2x3x2 #6X7'-4" Vert.
- No of Lift (or) No of Location
- No of Bars
- 2x1 #6X7'-4" Vert.

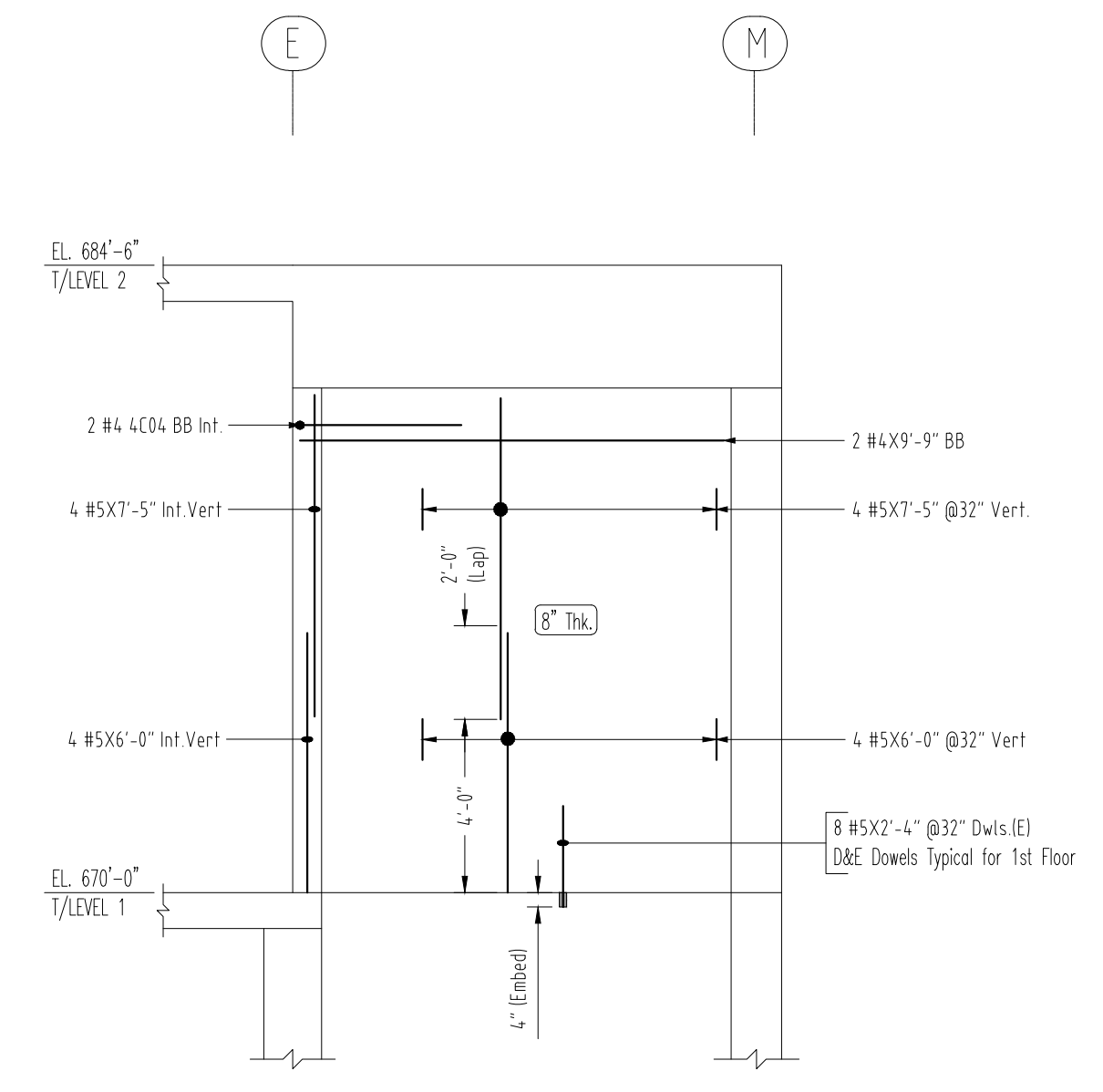
BAR DIA	CMU WALL LAP SCHEDULE		
	8" CMU: ONE BAR IN CELL OR COURSE	12" CMU: ONE BAR IN CELL OR COURSE	TWO BARS IN CELL OR COURSE
#4	24"	24"	36"
#5	24"	24"	45"
#6	43"	28"	54"



**ELEVATION CONT... F**  
 SCALE: 1/4"=1'-0"  
 SDR: S-001,S-101C, S-102C,S-103C, S-104C.  
 S-504, S-530 TO S-534.  
 ADR: A-101C, A-102C, A-103CA, A-302.

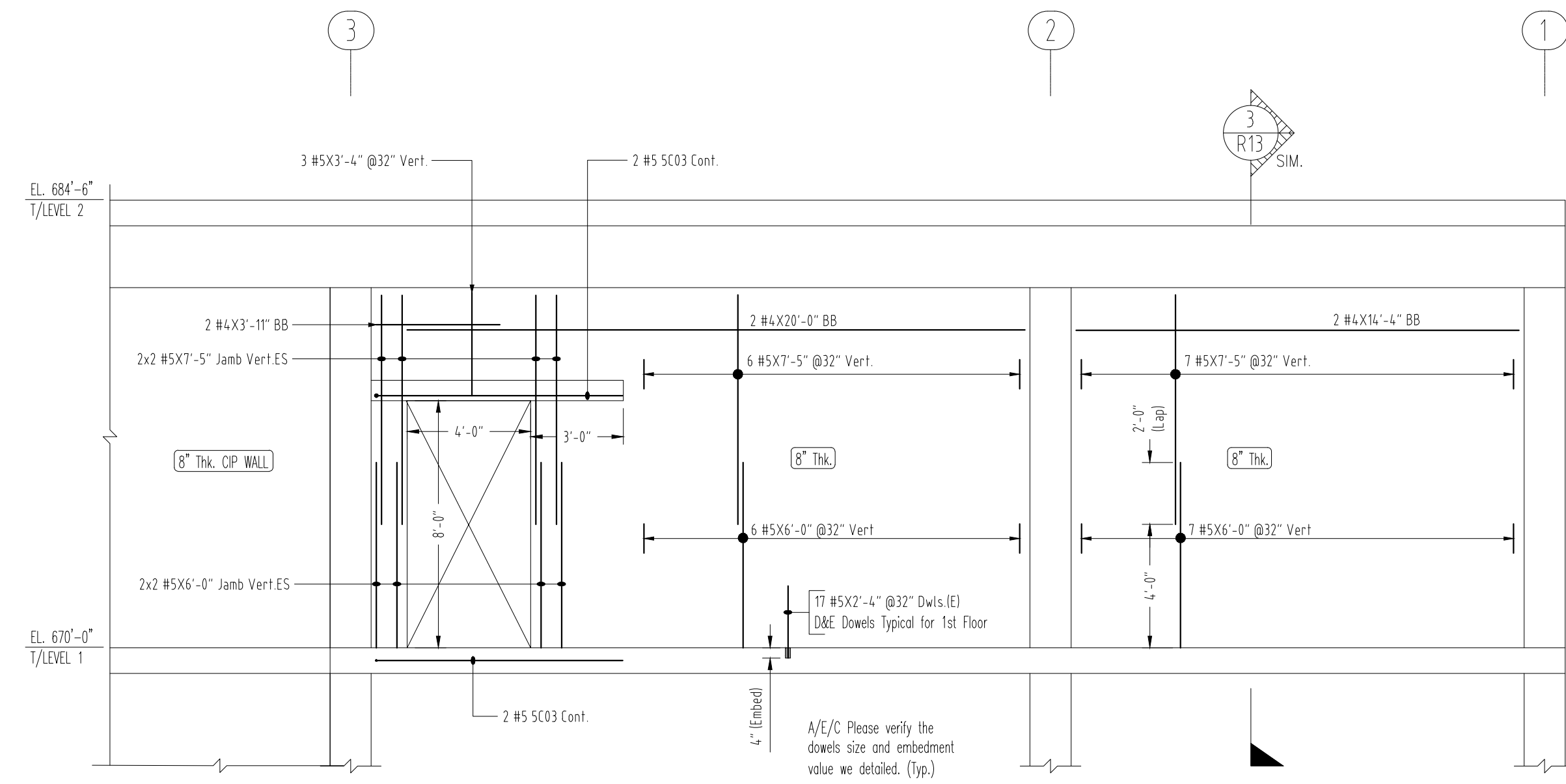


**ELEVATION G**  
 SCALE: 1/4"=1'-0"  
 SDR: S-001,S-101C, S-102C,S-103C, S-104C.  
 S-504, S-530 TO S-534.  
 ADR: A-101C, A-102C, A-103CA, A-302.

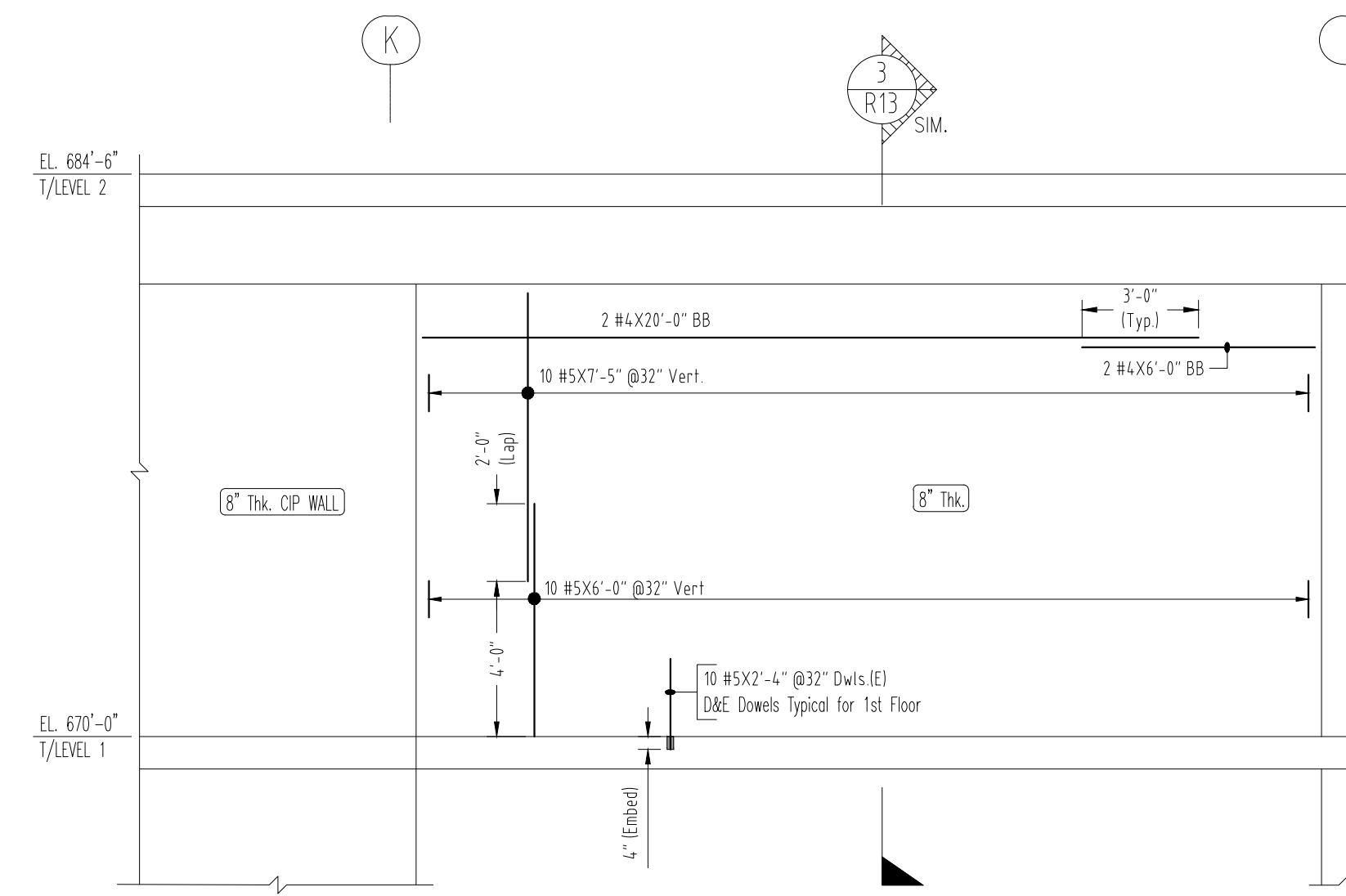


**ELEVATION H**  
 SCALE: 1/4"=1'-0"  
 SDR: S-001,S-101C, S-102C,S-103C, S-104C.  
 S-504, S-530 TO S-534.  
 ADR: A-101C, A-102C, A-103CA, A-302.

# SAMPLE



**ELEVATION J**  
 SCALE: 1/4"=1'-0"  
 SDR: S-001,S-101C, S-102C,S-103C, S-104C,  
 S-504, S-530 TO S-534.  
 ADR: A-101C, A-102C, A-103CA, A-302.



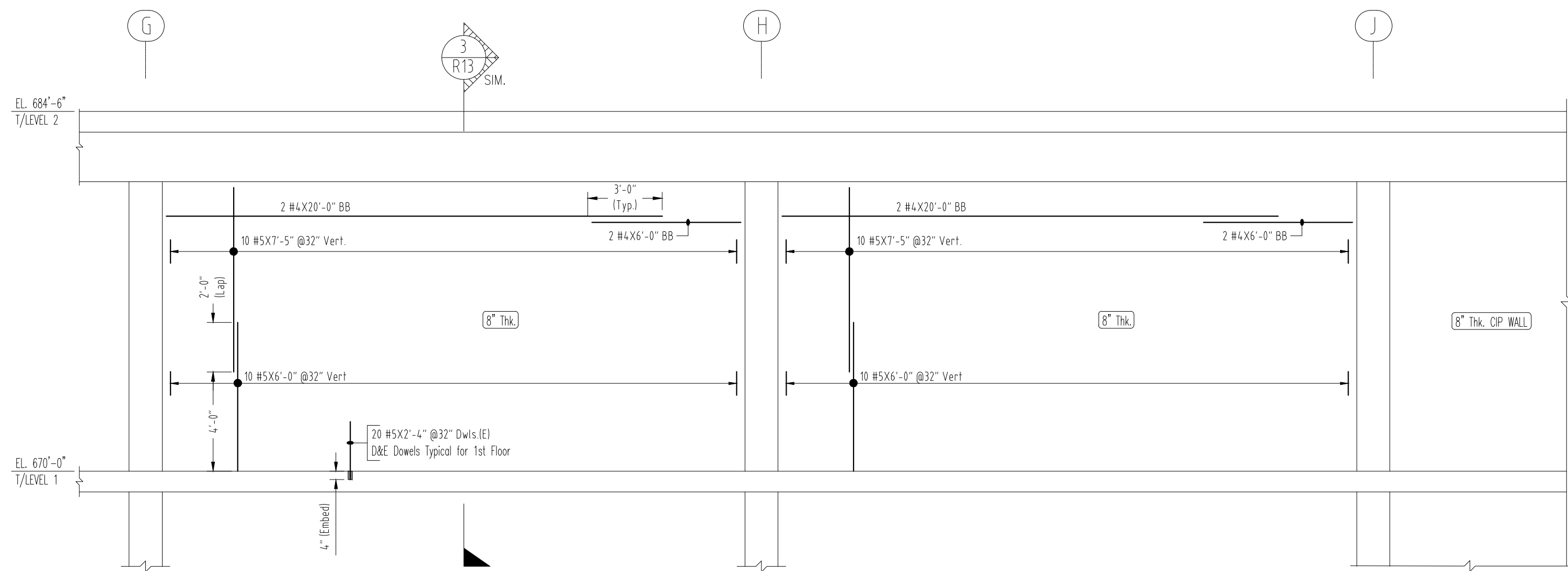
**ELEVATION K**  
 SCALE: 1/4"=1'-0"  
 SDR: S-001,S-101C, S-102C,S-103C, S-104C,  
 S-504, S-530 TO S-534.  
 ADR: A-101C, A-102C, A-103CA, A-302.

ALL BARS IN THIS DRAWING  
 ASTM A615 GRADE 60  
 BLACK UNCOATED  
 EXCEPT (E) NOTED

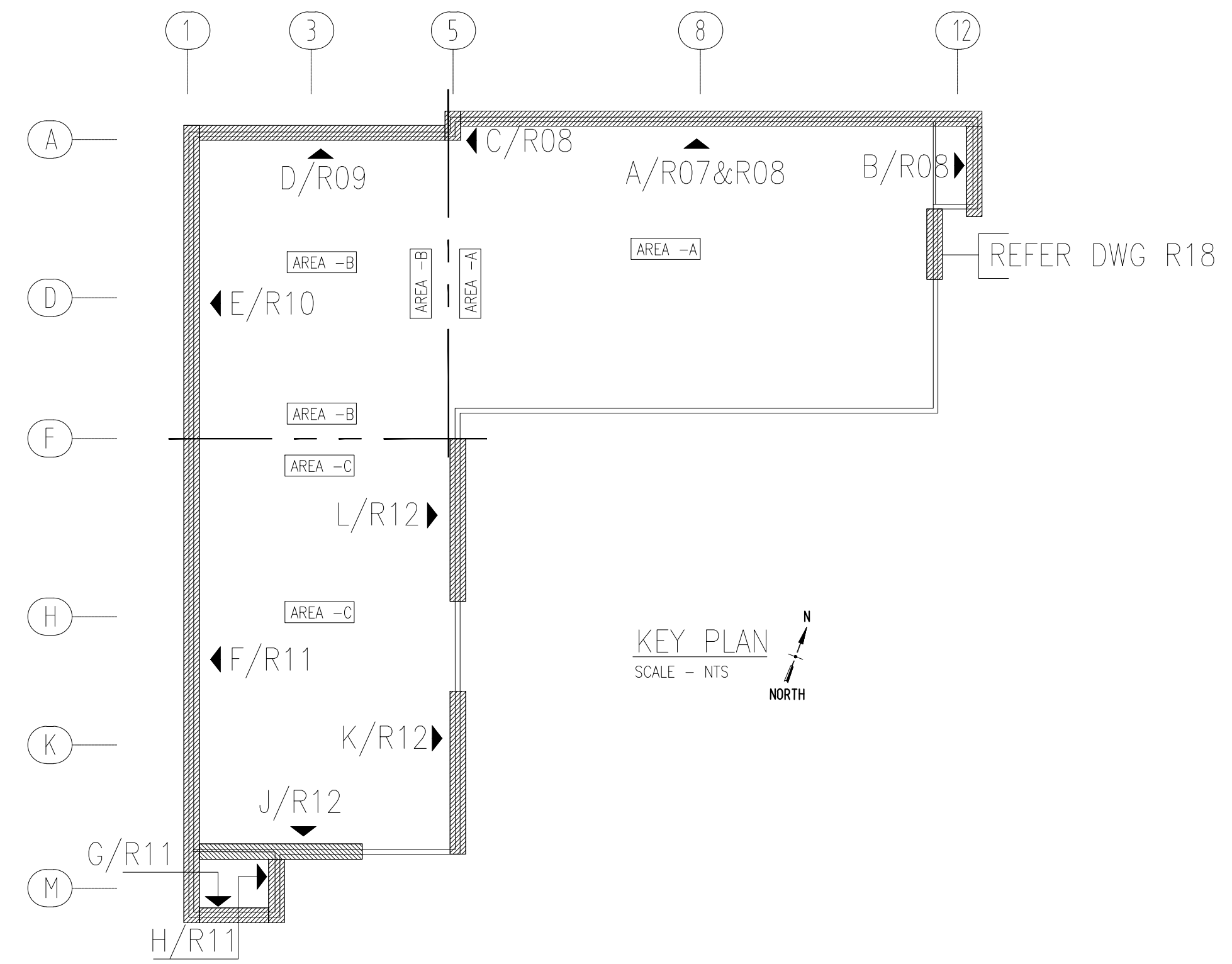
**LEGEND**

- No of Location
- No of Lift
- No of Bars
- 2x3x2 #6X7-4" Vert.
- No of Lift (or) No of Location
- No of Bars
- 2x1 #6X7-4" Vert.

CMU WALL			
LAP SCHEDULE			
BAR DIA	8" CMU: ONE BAR IN CELL OR COURSE	12" CMU: ONE BAR IN CELL OR COURSE	TWO BARS IN CELL OR COURSE
#4	24"	24"	36"
#5	24"	24"	45"
#6	43"	28"	54"



**ELEVATION L**  
 SCALE: 1/4"=1'-0"  
 SDR: S-001,S-101C, S-102C,S-103C, S-104C,  
 S-504, S-530 TO S-534.  
 ADR: A-101C, A-102C, A-103CA, A-302.



SAMPLE

