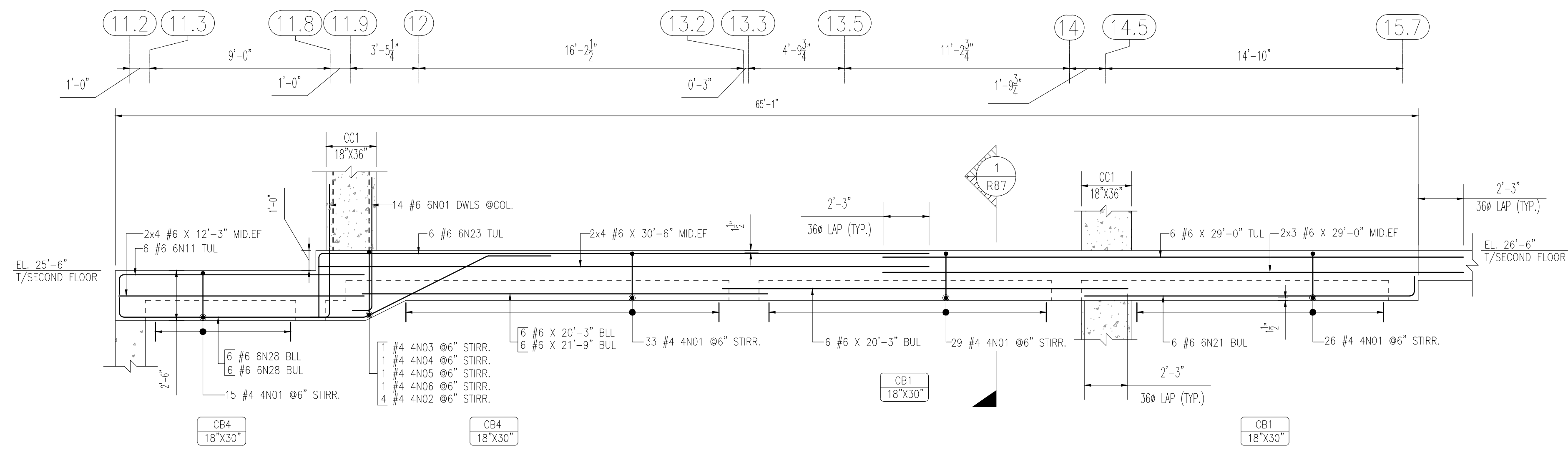


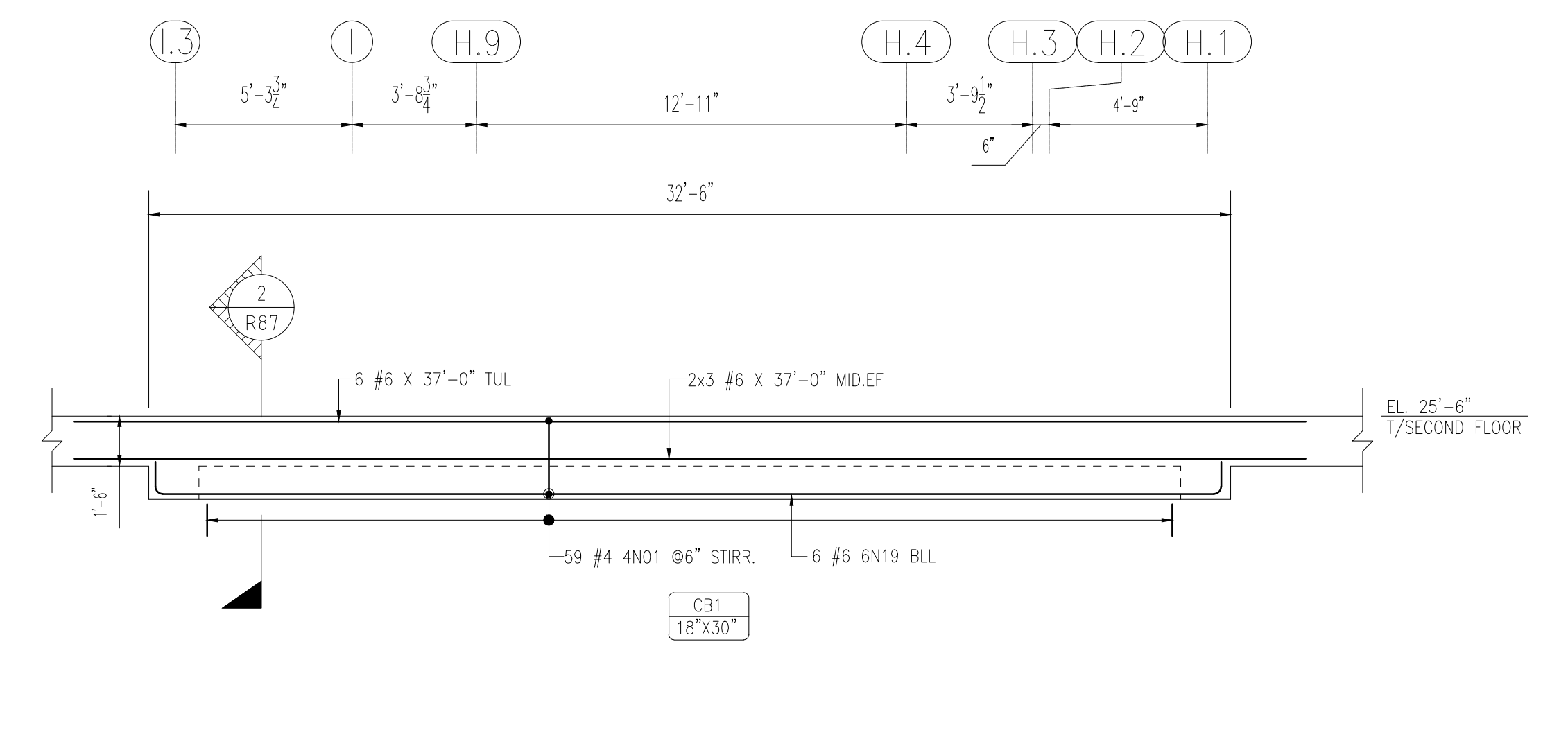
SECOND FLOOR CONCRETE BEAM LAYOUT
 SCALE = 1/8"=1'-0"
 REF: S-102

LEGEND:
 [Dashed Box] COLUMNS STARTS FROM FOUNDATION TO 2ND FLOOR
 [Solid Black Square] COLUMNS STARTS FROM 2ND FLOOR TO 3RD FLOOR & COLUMNS STARTS FROM FOUNDATION TO 3RD FLOOR

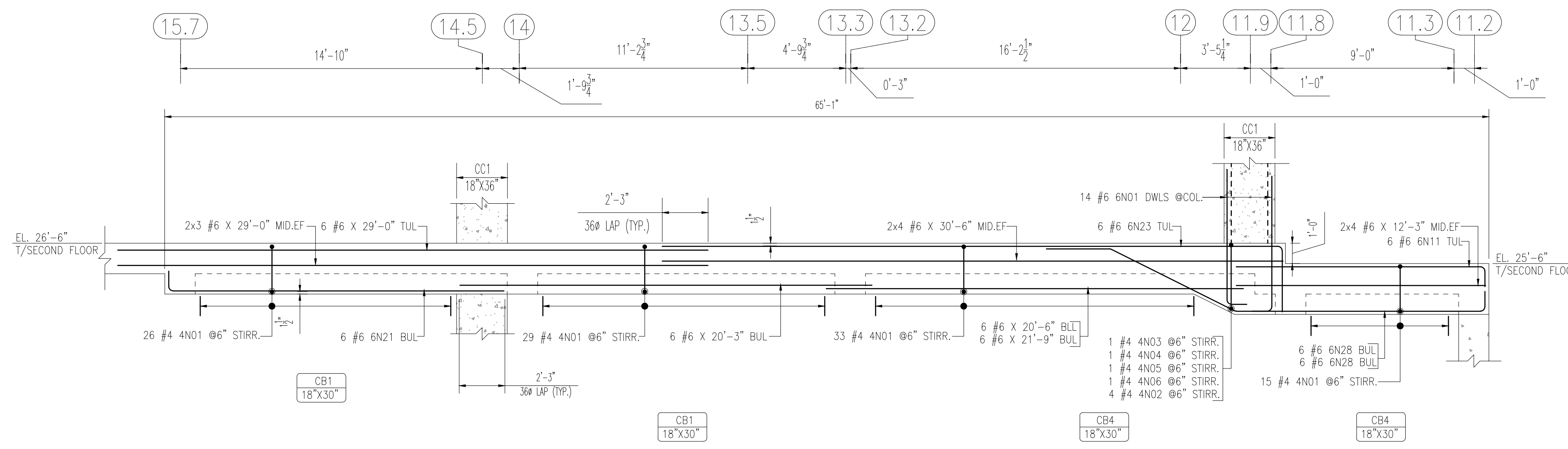
SAMPLE



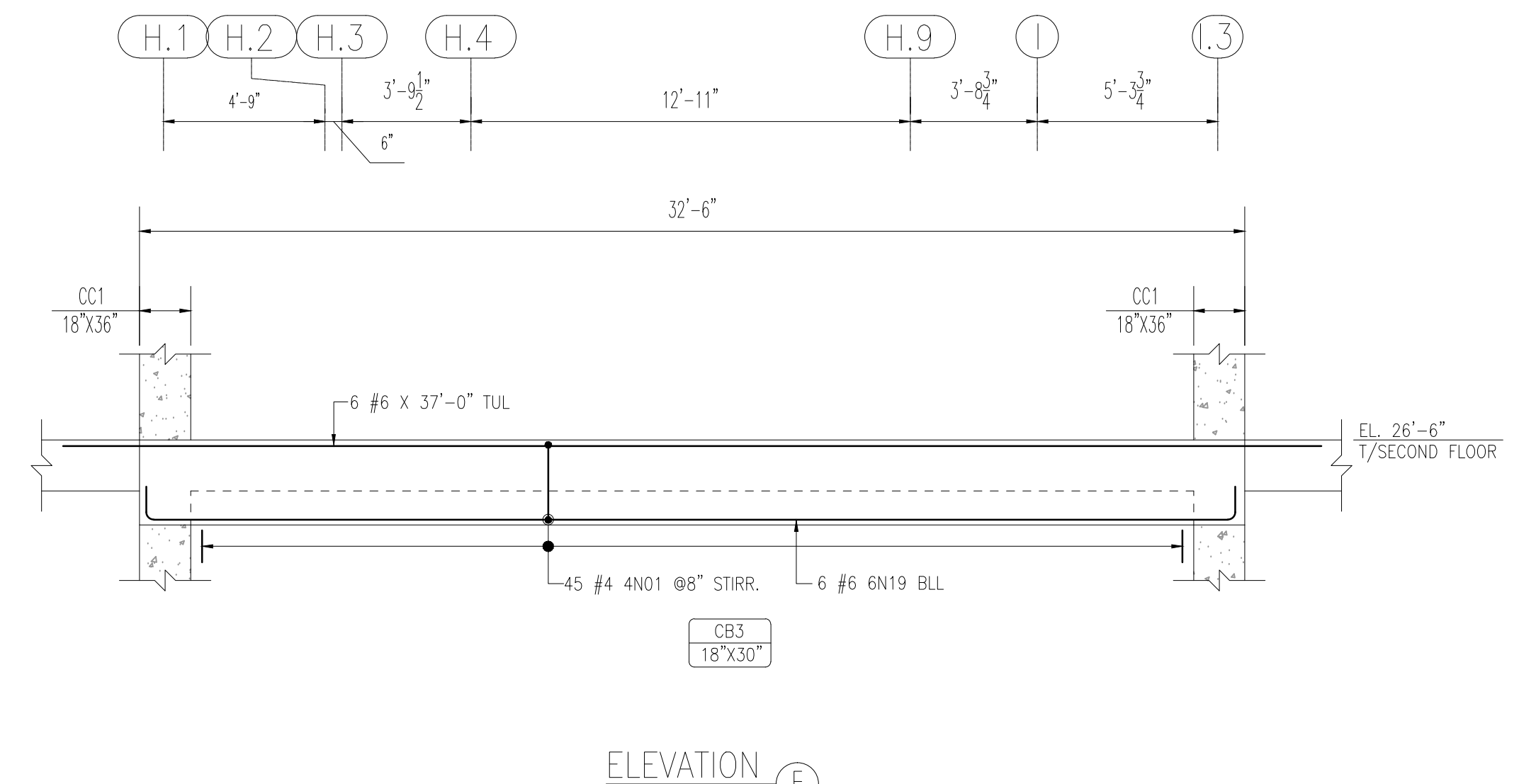
ELEVATION A
SCALE: 1/4"=1'-0"
REF: S-104



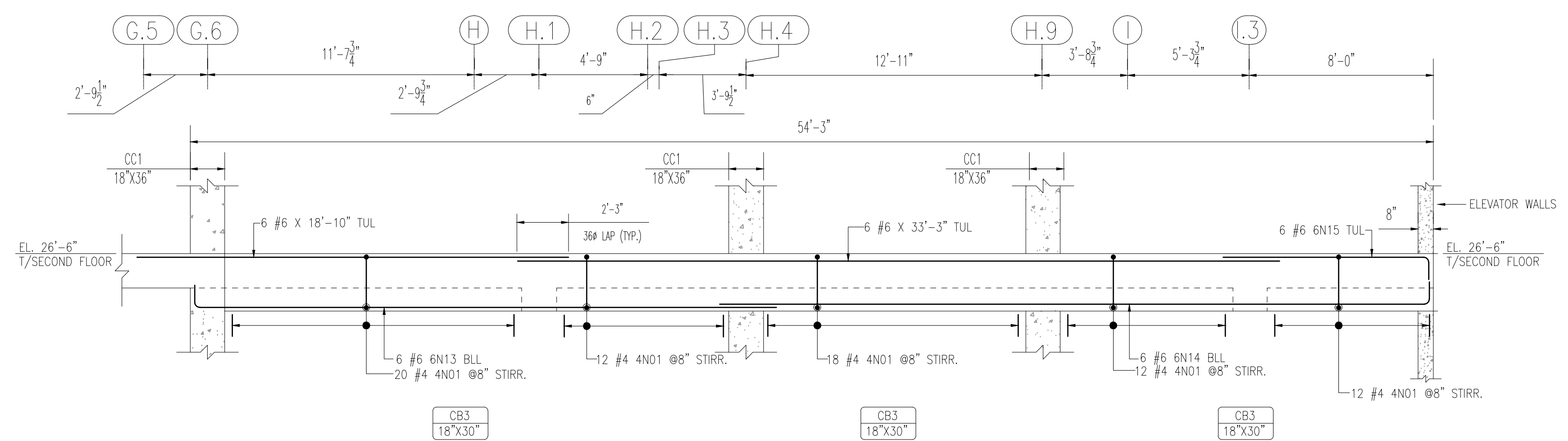
ELEVATION C
SCALE: 1/4"=1'-0"
REF: S-104



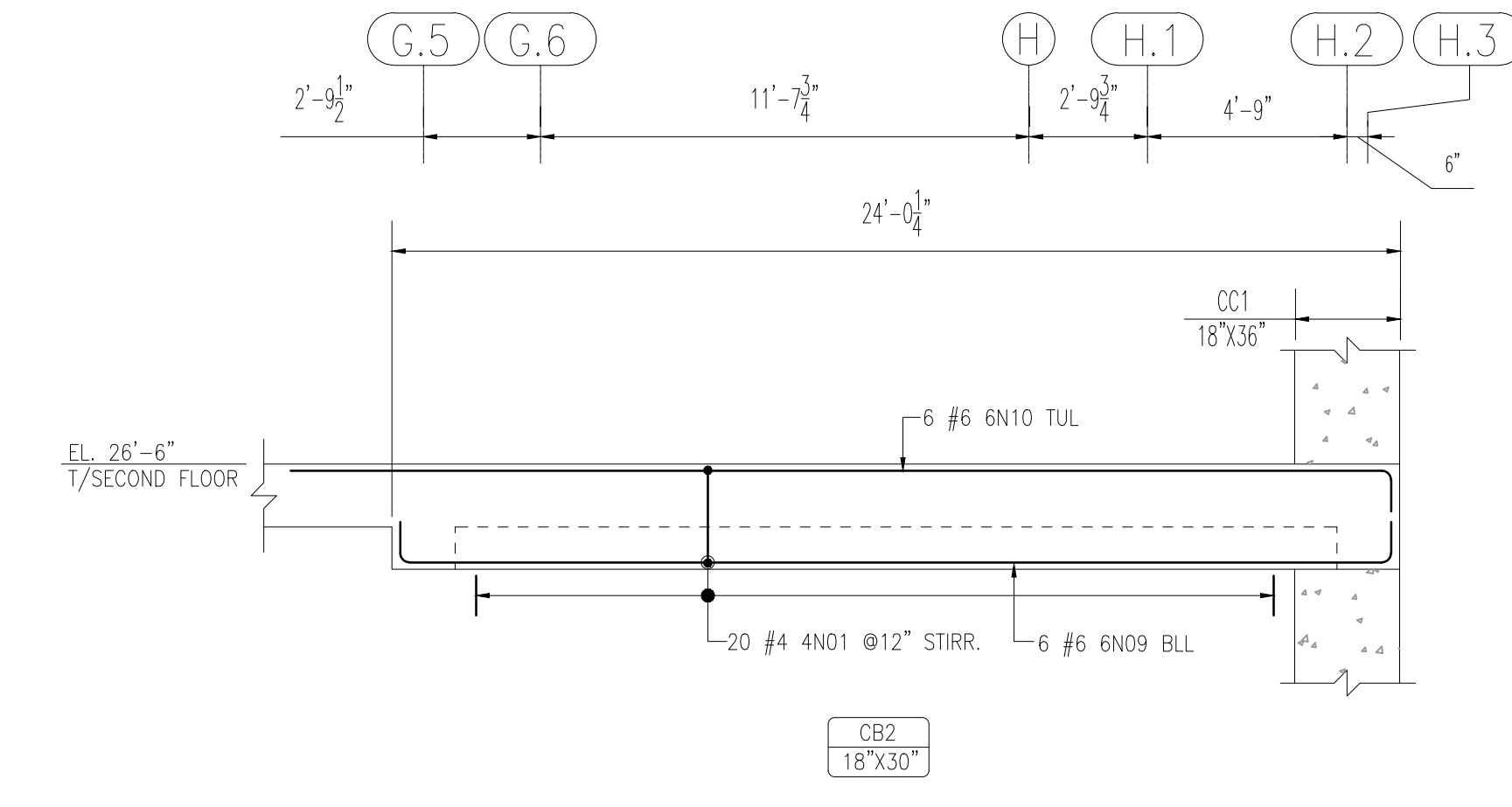
ELEVATION B
SCALE: 1/4"=1'-0"
REF: S-104



ELEVATION F
SCALE: 1/4"=1'-0"
REF: S-104

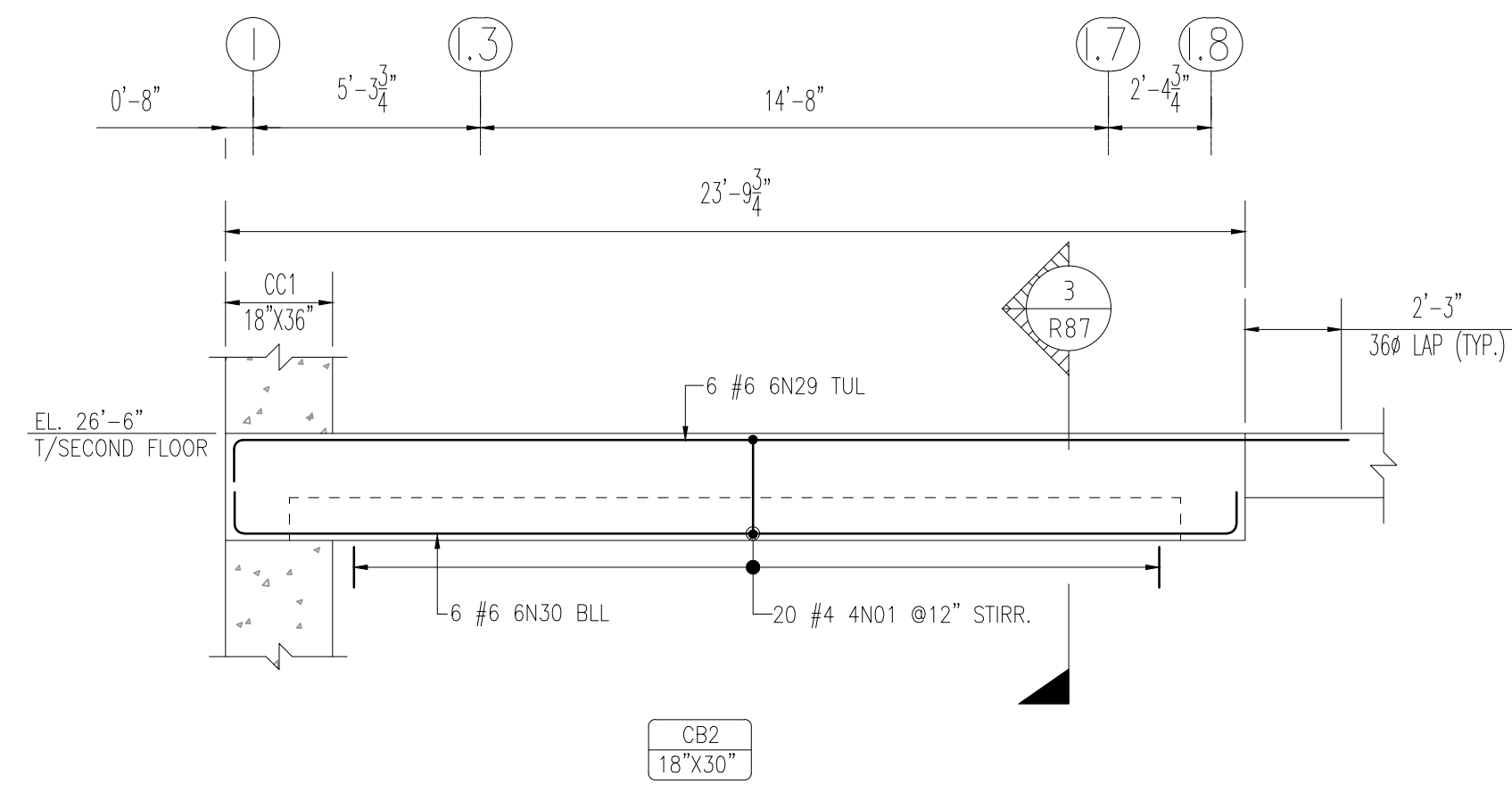


ELEVATION D
SCALE: 1/4"=1'-0"
REF: S-104

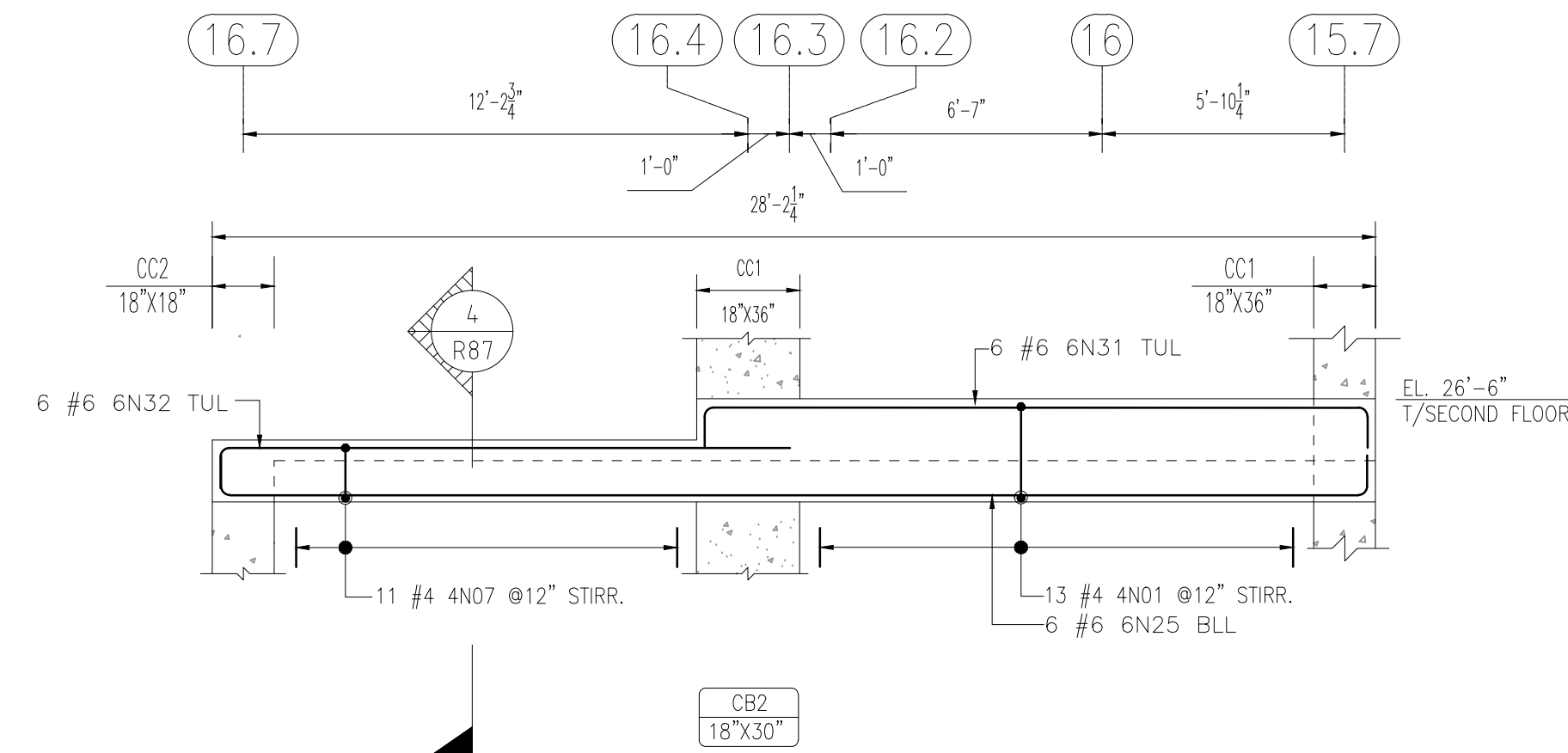


ELEVATION G
SCALE: 1/4"=1'-0"
REF: S-104

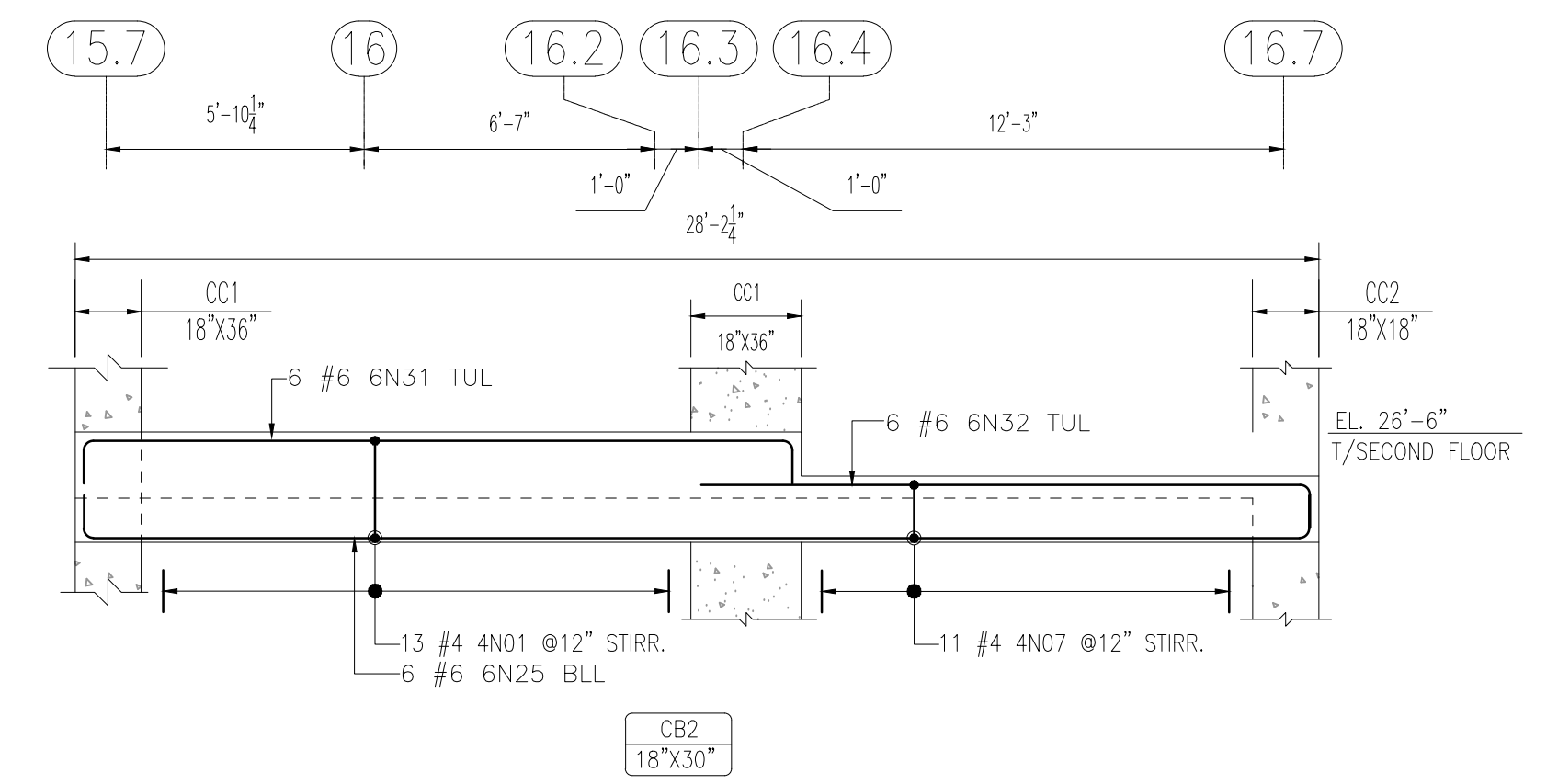
SAMPLE



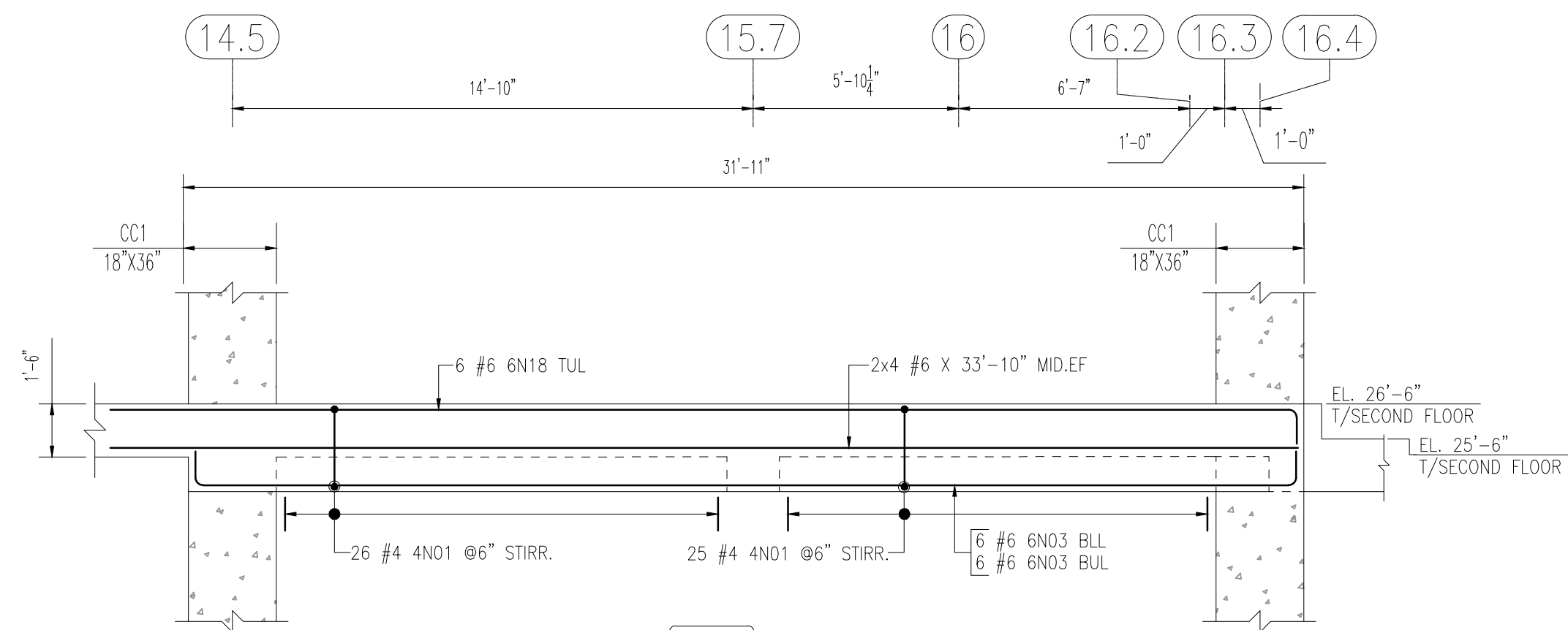
ELEVATION H
SCALE: 1/4"=1'-0"
REF: S-104



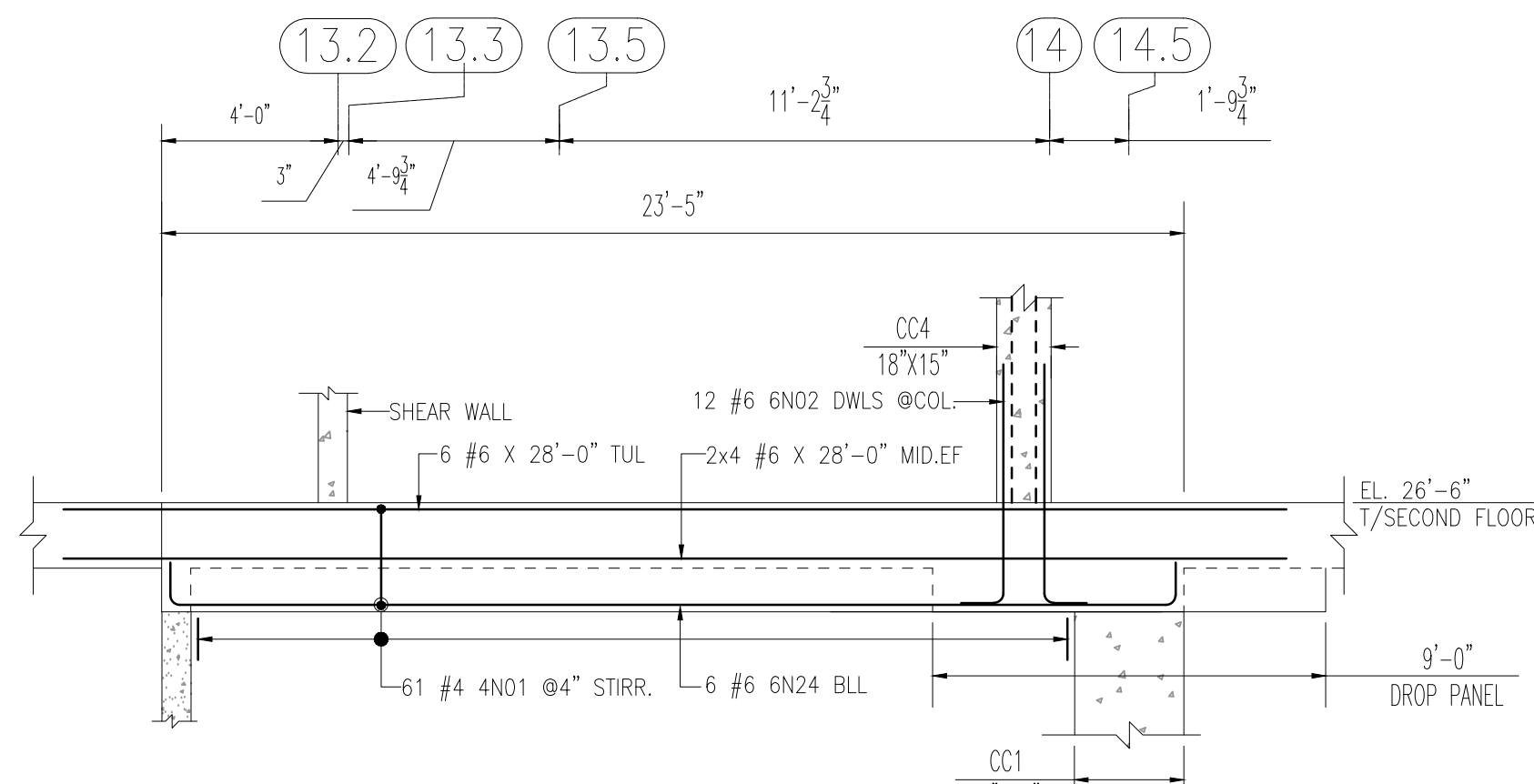
ELEVATION J
SCALE: 1/4"=1'-0"
REF: S-104



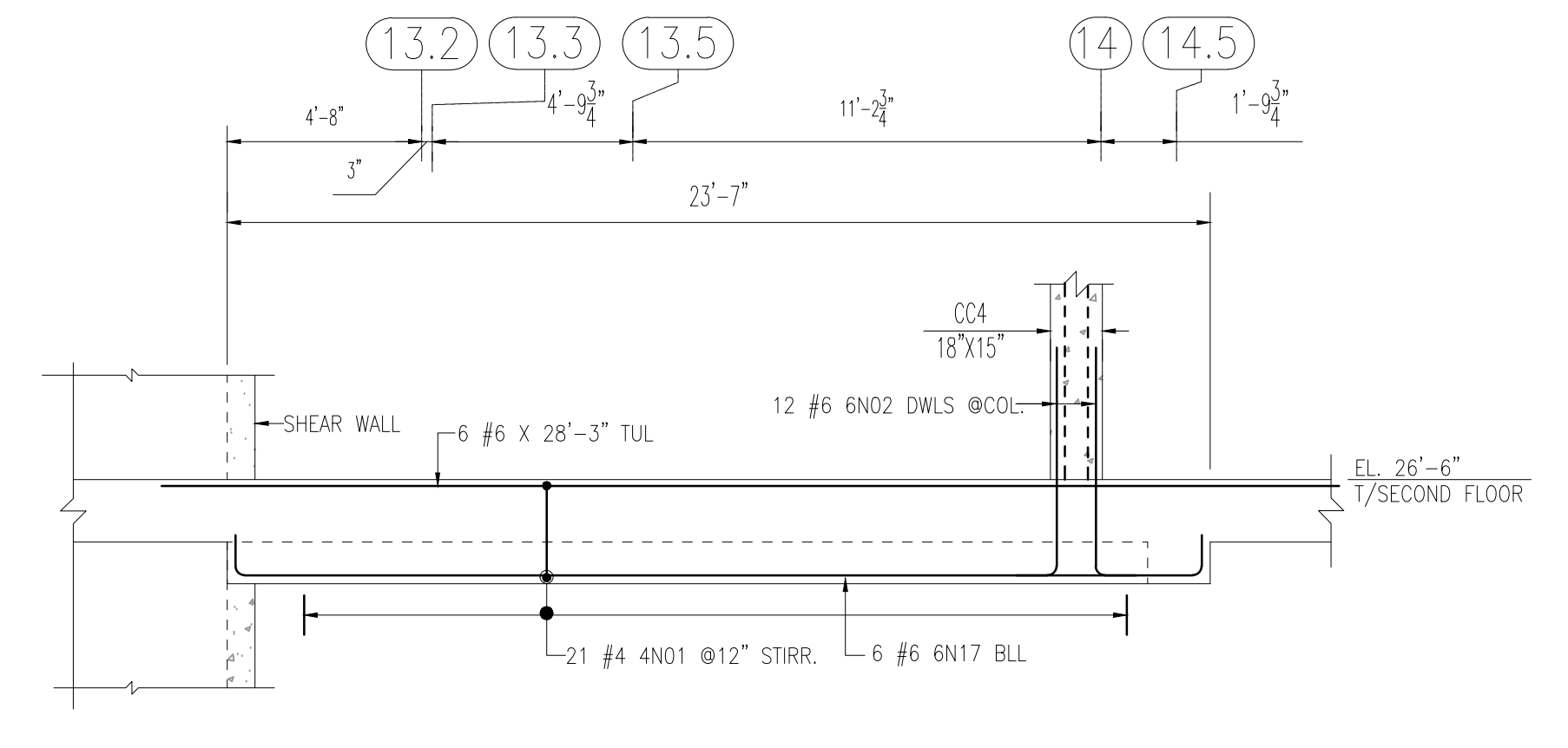
ELEVATION K
SCALE: 1/4"=1'-0"
REF: S-104



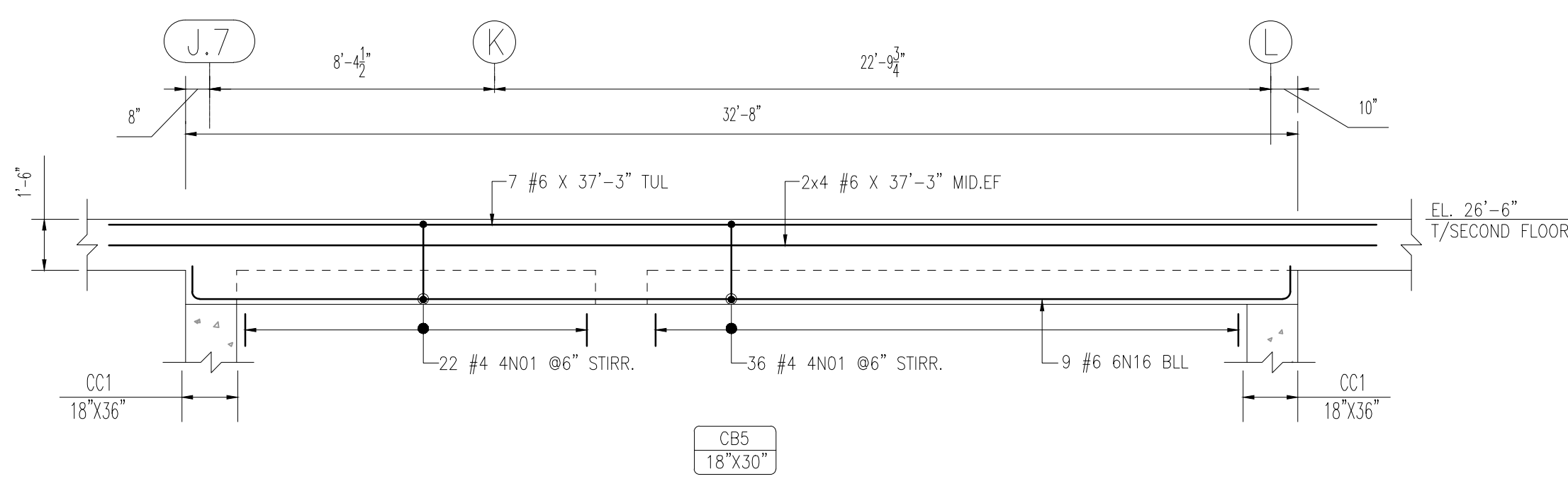
ELEVATION L
SCALE: 1/4"=1'-0"
REF: S-104



ELEVATION M
SCALE: 1/4"=1'-0"
REF: S-104

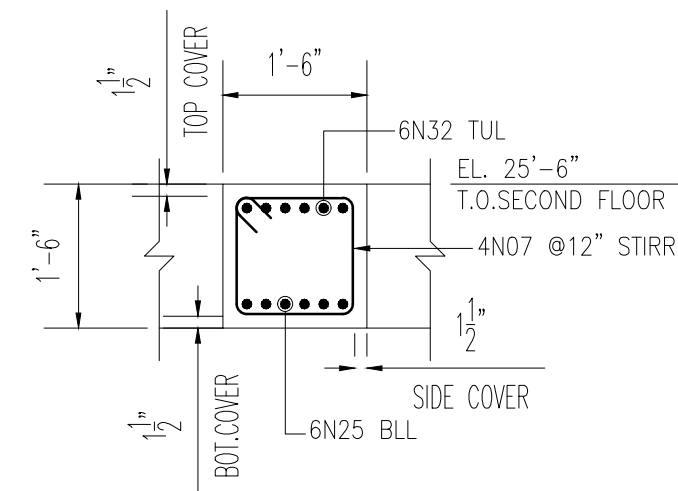
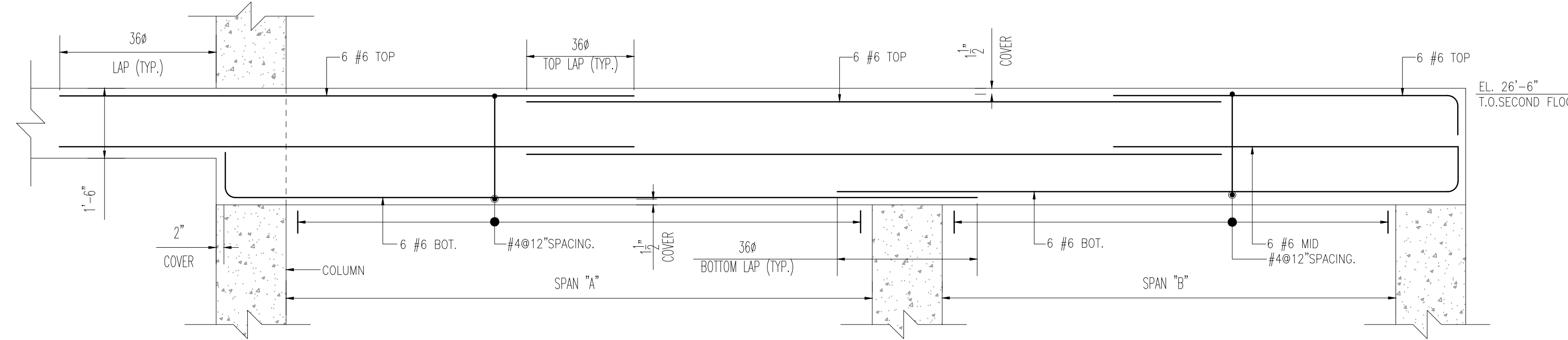
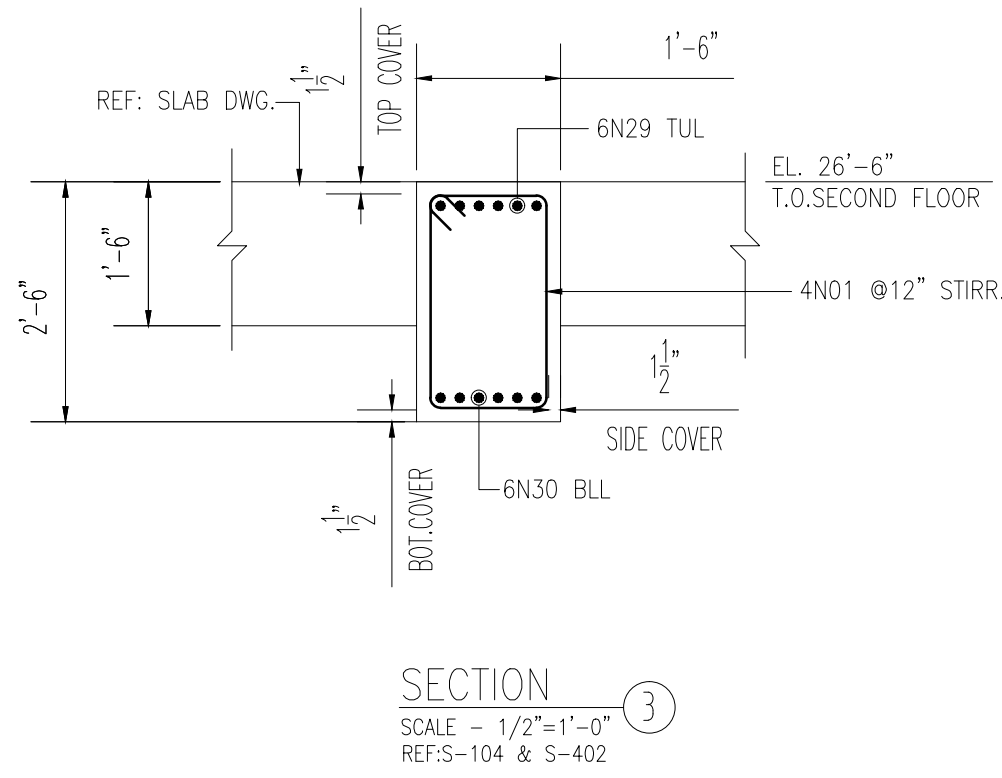
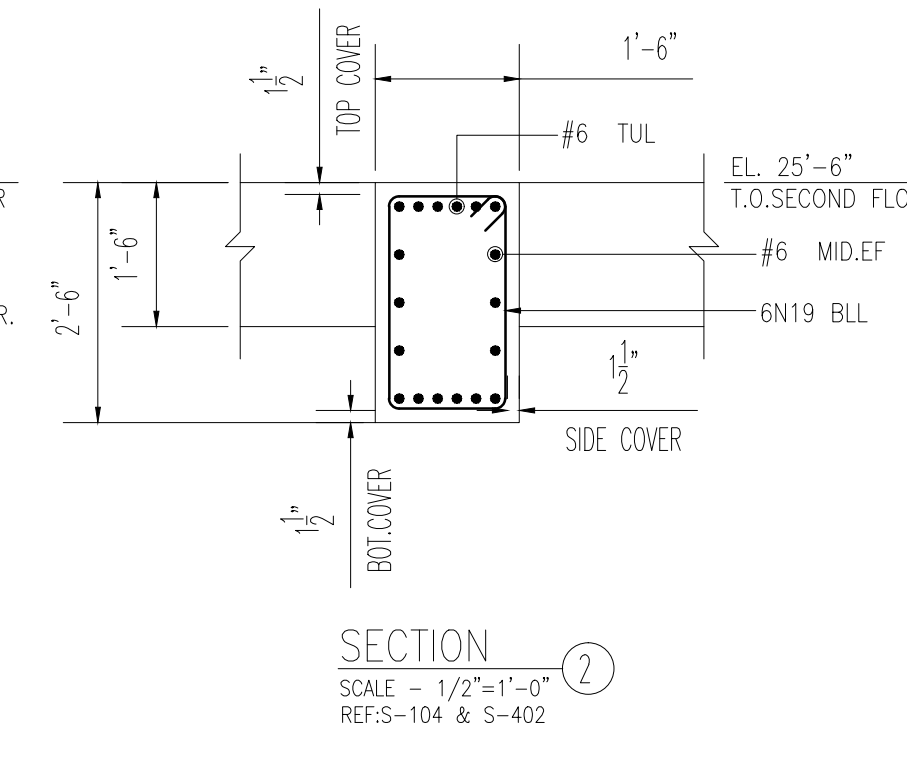
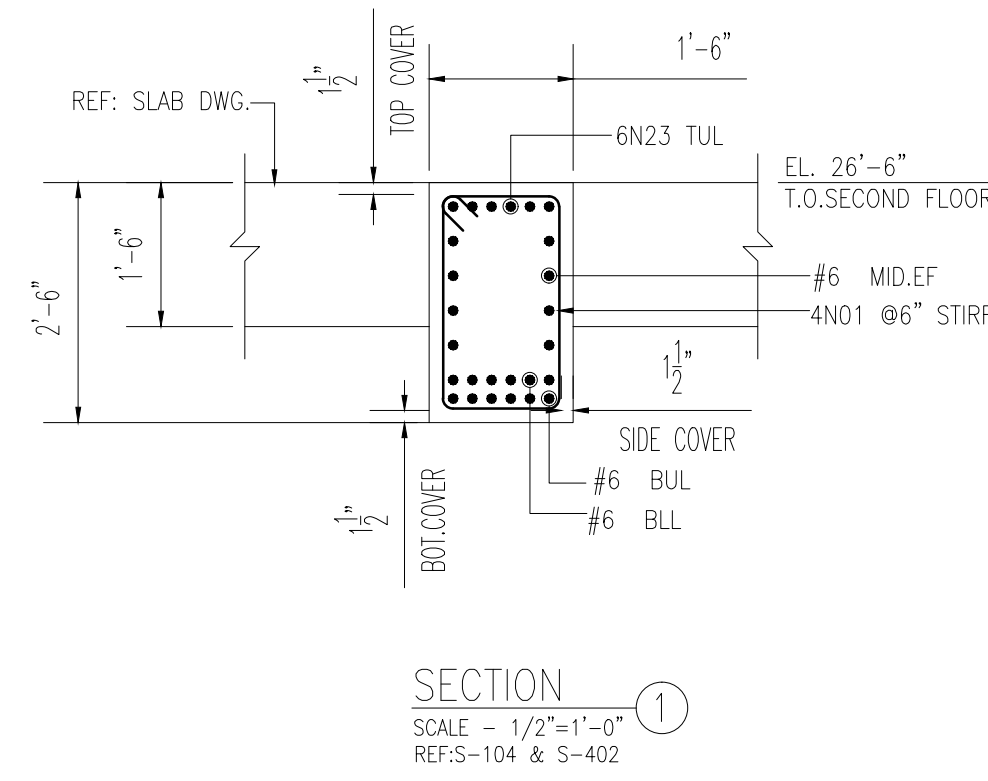
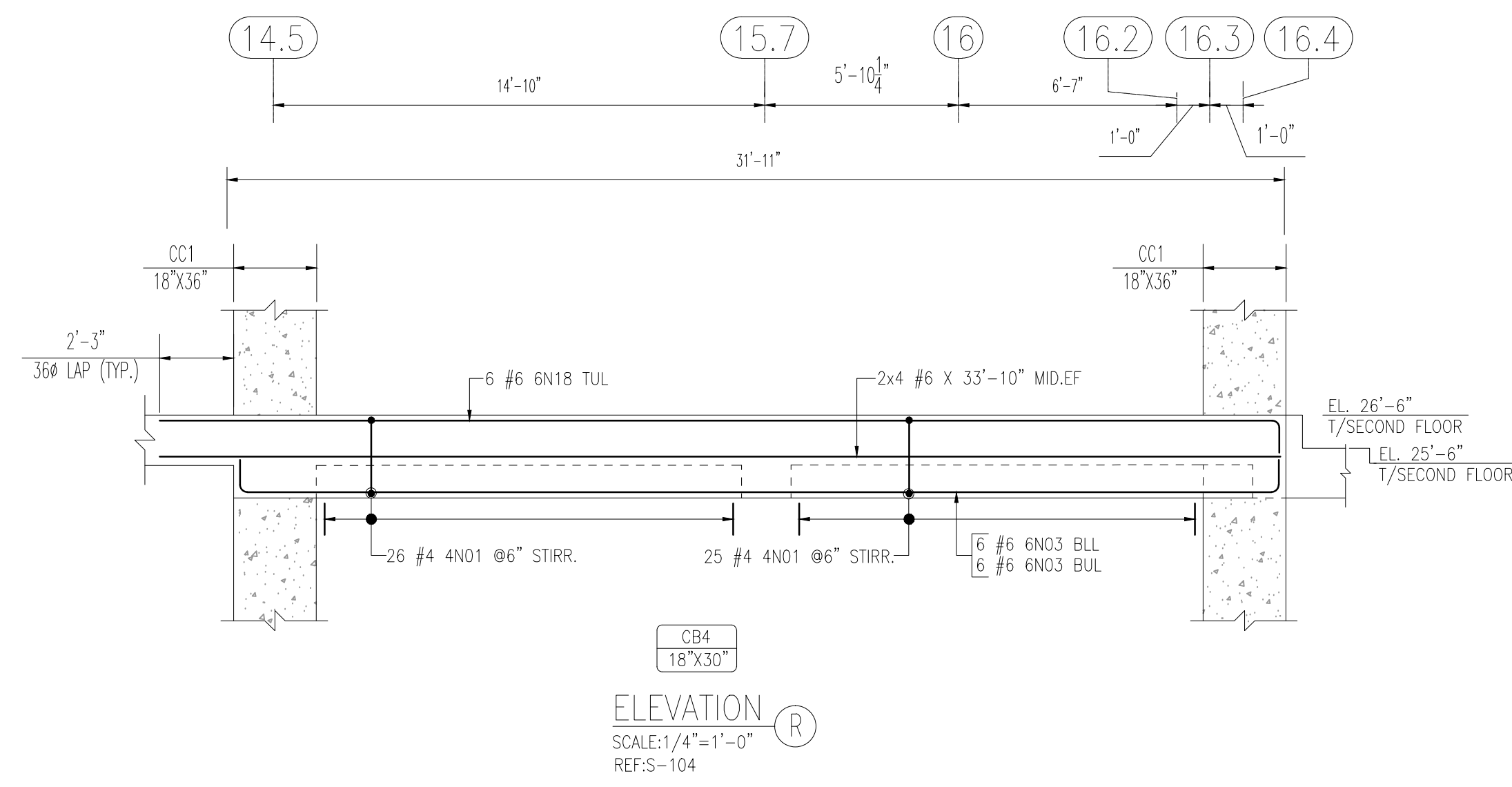


ELEVATION N
SCALE: 1/4"=1'-0"
REF: S-104

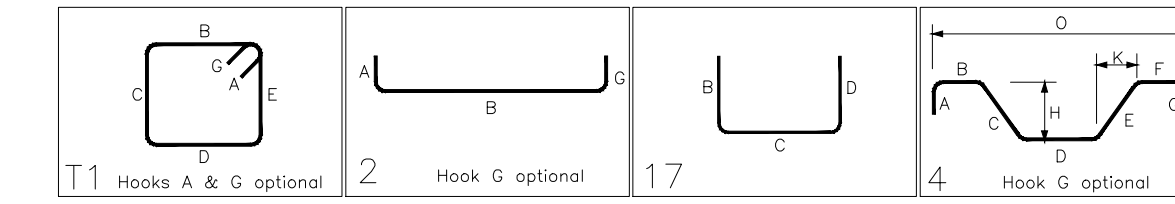


ELEVATION P
SCALE: 1/4"=1'-0"
REF: S-104

SAMPLE



Relese Number: R04		BAR LIST													
Bar Mark	Qty	Size	Total Length	Type	X	Y	Z	U	V	W	H	Z	X	W	Y
4N01	692	#4	7-97	TI	0'-4 X	1'-3"	2'-3"	1'-3"	2'-3"	0'-4 X					
4N02	8	#4	8-97	TI	0'-4 X	3'-3"	1'-3"	3'-3"	1'-3"	0'-4 X					
4N03	2	#4	8-97	TI	0'-4 X	2'-6"	1'-3"	2'-6"	1'-3"	0'-4 X					
4N04	2	#4	8-97	TI	0'-4 X	2'-9"	1'-3"	2'-9"	1'-3"	0'-4 X					
4N05	2	#4	9-11	TI	0'-4 X	2'-11"	1'-3"	2'-11"	1'-3"	0'-4 X					
4N06	2	#4	9-11	TI	0'-4 X	3'-2"	1'-3"	3'-2"	1'-3"	0'-4 X					
4N07	22	#4	5-97	TI	0'-4 X	1'-3"	1'-3"	1'-3"	1'-3"	0'-4 X					
6N01	28	#6	7-87	2	1'-0"	6'-8"				0'-4 X					
6N02	24	#6	6-67	2	1'-0"	5'-6"									
6N03	24	#6	33-57	2	1'-0"	31'-5"				1'-0"					
6N09	6	#6	25-87	2	1'-0"	23'-8"				1'-0"					
6N10	6	#6	27-37	2	1'-0"	26'-3"									
6N11	12	#6	13-37	2	1'-0"	12'-3"									
6N13	6	#6	26-57	2	1'-0"	25'-5"									
6N14	6	#6	32-07	2	1'-0"	31'-0"									
6N15	6	#6	10-07	2	1'-0"	9'-0"									
6N16	9	#6	32-47	2	1'-0"	32'-4"				1'-0"					
6N17	6	#6	25-37	2	1'-0"	23'-3"				1'-0"					
6N18	12	#6	34-107	2	1'-0"	33'-10"									
6N19	12	#6	34-17	2	1'-0"	33'-17"				1'-0"					
6N21	12	#6	17-47	2	1'-0"	16'-4"									
6N23	12	#6	33-97	17	5'-3"	30'-6"									
6N24	6	#6	25-17	2	1'-0"	23'-17"				1'-0"					
6N25	12	#6	29-107	2	1'-0"	27'-10"				1'-0"					
6N28	24	#6	23-3 X	4	1'-0"	12'-3 X	6'-10 X	3'-2"			3'-1 X	6'-1 X	21'-6 X		
6N29	6	#6	27-0 X	2	1'-0"	26'-0 X									
6N30	6	#6	25-5 X	2	1'-0"	23'-5 X									
6N31	12	#6	18-1 X	2	1'-0"	16'-1 X				1'-0"					
6N32	12	#6	14-107	2	1'-0"	13'-10"				1'-0"					



Lap Schedule	
SIZE	36" LAP
#3	14"
#4	18"
#5	23"
#6	27"
#7	32"
#8	36"
#9	41"
#10	46"
#11	51"

ABBREVIATIONS	
Bottom	BOT.
Top	TOP
Stirrups	STIRR.
Each End	EE
Dowels	DWLS
Top Upper Layer	TUL
Top Lower Layer	TLL
Bottom Upper Layer	BUL
Bottom Lower Layer	BLL
Top Of Slab	T.O.SLAB

ALL BARS IN THIS DRAWING
ASTM A615 GRADE 60
BLACK UNCOATED

SAMPLE