

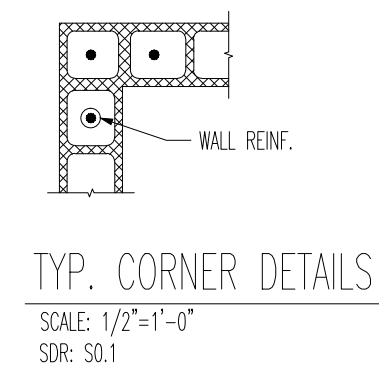
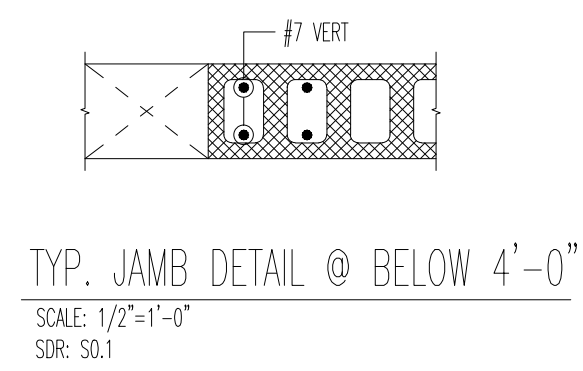
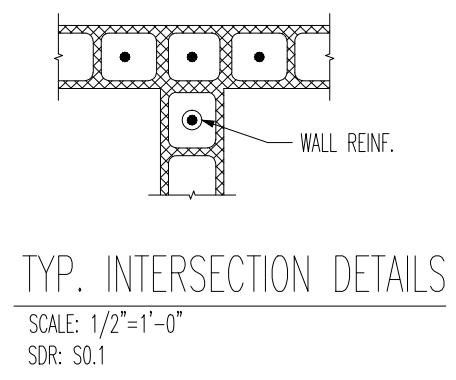
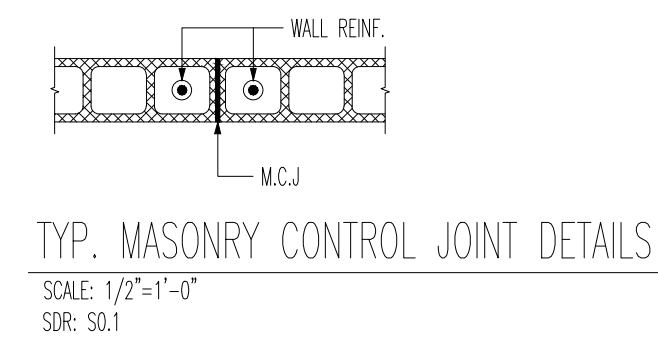
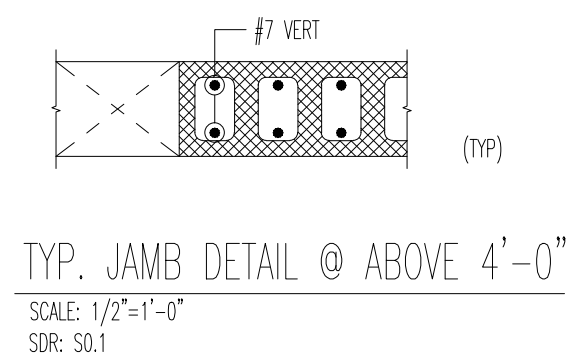
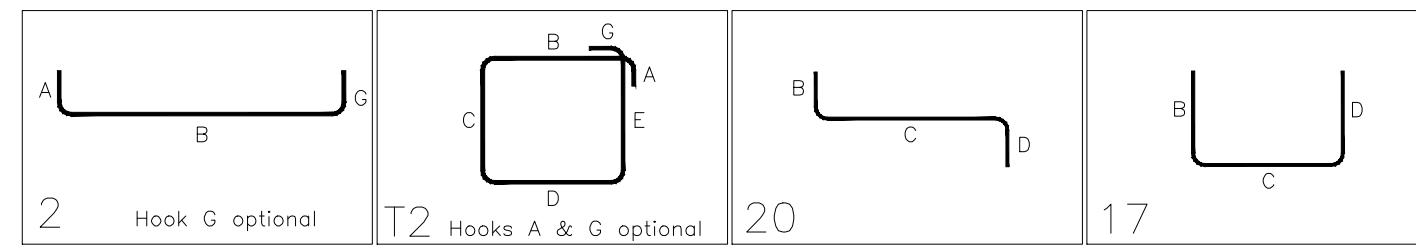
Release Number: R04-R05

Bar Mark	Qty	Size	Total Length	Type	X'	Y'	Z'	W'	V'	U'	T'	S'	R'	Q'	P'
4801	61	#4	3'-5"	2	0'-8"	2'-9"									
4802	80	#4	3'-9"	2	1'-0"	2'-9"									
4803	5	#4	6'-11 1/2"	12	0'-4 1/2"	2'-6"	0'-7 1/2"	2'-6"	0'-7 1/2"				0'-4 1/2"		
4804	5	#4	5'-11 1/2"	12	0'-4 1/2"	2'-0"	0'-7 1/2"	2'-0"	0'-7 1/2"				0'-4 1/2"		
4805	207	#4	6'-0"	12	0'-4 1/2"	2'-0"	0'-7 1/2"	2'-0"	0'-7 1/2"				0'-4 1/2"		
4806	208	#4	7'-0"	12	0'-4 1/2"	2'-6"	0'-7 1/2"	2'-6"	0'-7 1/2"				0'-4 1/2"		
4807	4	#4	9'-5"	20		3'-0"	4'-0"	2'-5"							
4808	60	#4	4'-10"	17		2'-5"									
6801	160	#6	4'-9"	2	1'-0"	3'-9"									
6802	5	#6	3'-6"	2	1'-0"	2'-6"									
7801	36	#7	5'-5"	2	1'-2"	4'-3"									

ALL BARS IN THIS DRAWING
ASTM A615 GRADE 60
BLACK UNCOATED

- NOTES:
- 3" Cover for bottom & sides
 - 1 1/2" Cover for top of footing

SIZE	3000 PSI		CMU WALL	
	TOP	OTHERS	BAR DIA	48 BAR DIA
#3	28"	22"	#3	1'-6"
#4	37"	29"	#4	2'-0"
#5	47"	36"	#5	2'-6"
#6	56"	43"	#6	3'-0"
#7	81"	63"	#7	3'-6"
#8	93"	72"	#8	4'-0"
#9	105"	81"	#9	4'-6"



SAMPLE