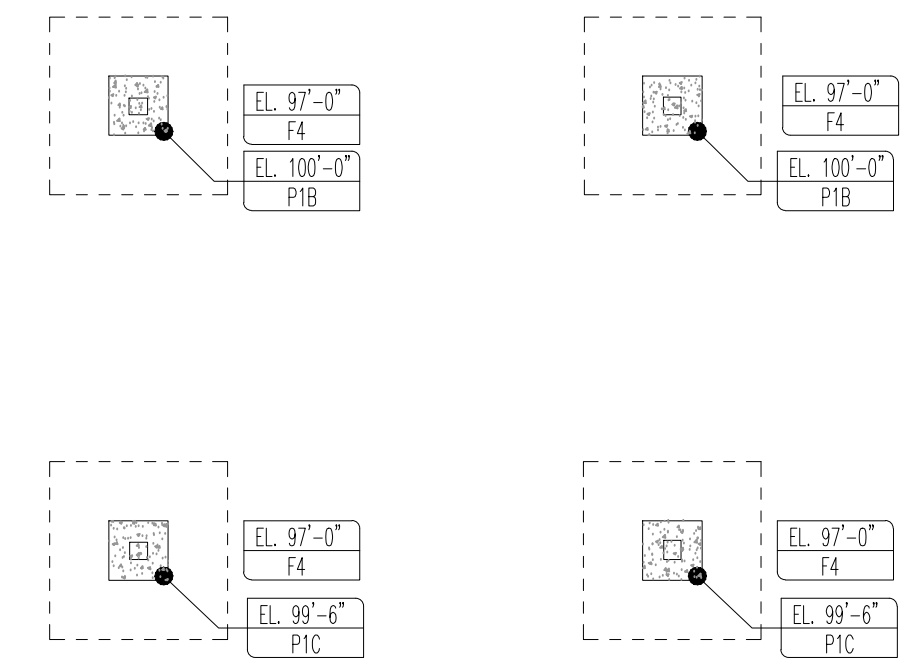
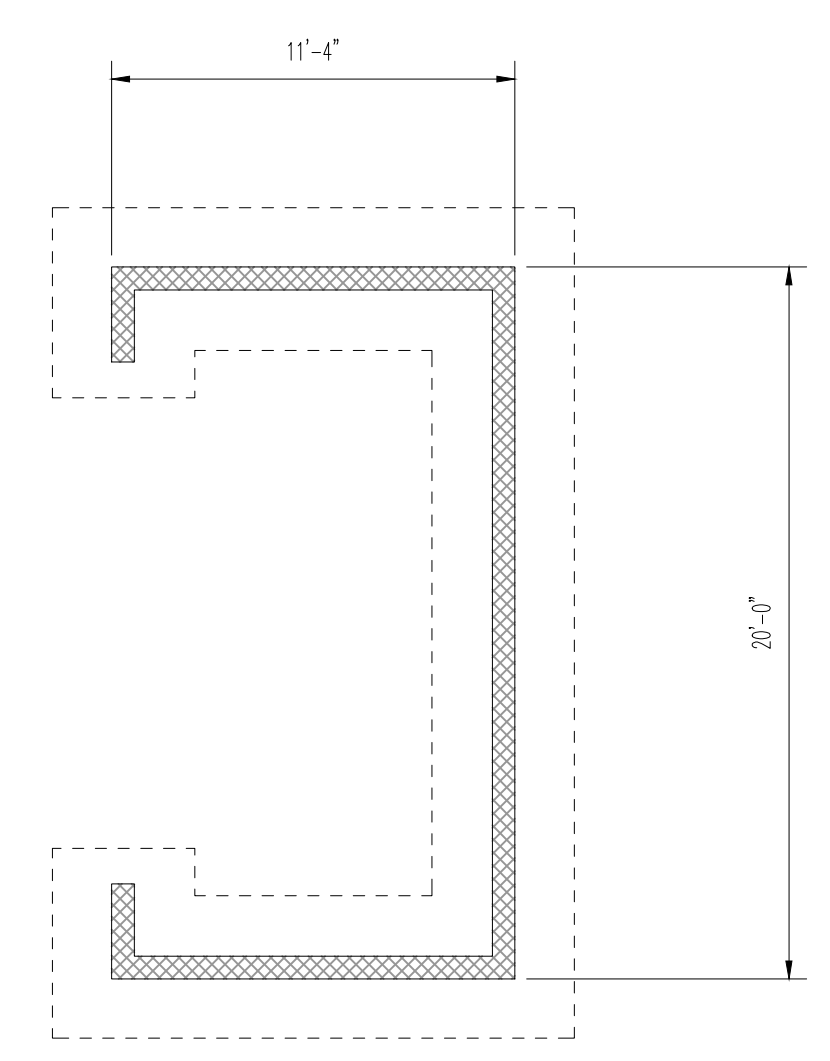


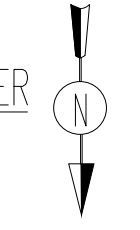
A 8'-0"
 B 6'-0"
 B.3 11'-3"
 C 6'-0"
 D 2'-0"



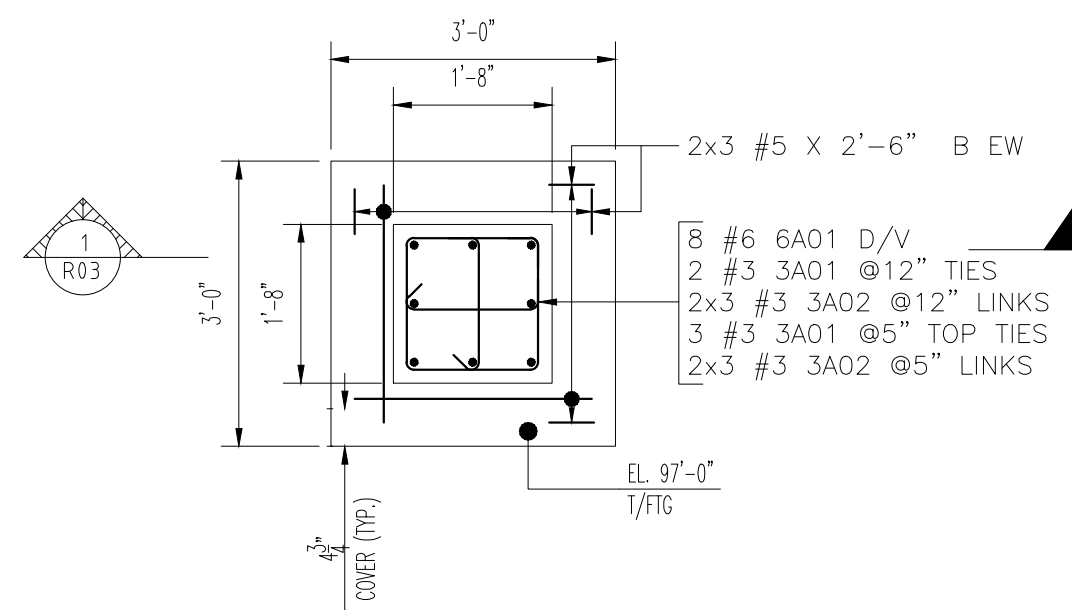
LEGEND :-
 BAR SIZE
 BAR LENGTH
 BAR SPACING
 NO. OF BARS
 NO. OF LOCATION

ABBREVIATIONS	
ADDITIONAL	ADD'L
DOWEL	DWLS
TOP & BOTTOM	T&B
LONG WAY BAR	LW
SHORT WAY BAR	SW

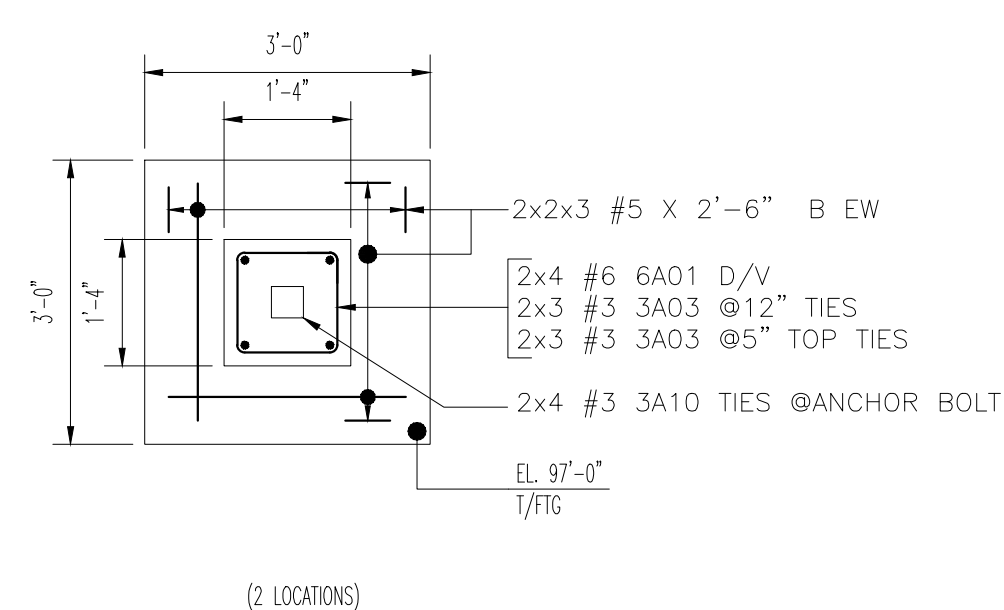
REINFORCEMENT DETAILS FOR ISOLATED FOOTING & PIER
 SCALE: 3/16"=1'-0"
 SDR: S101



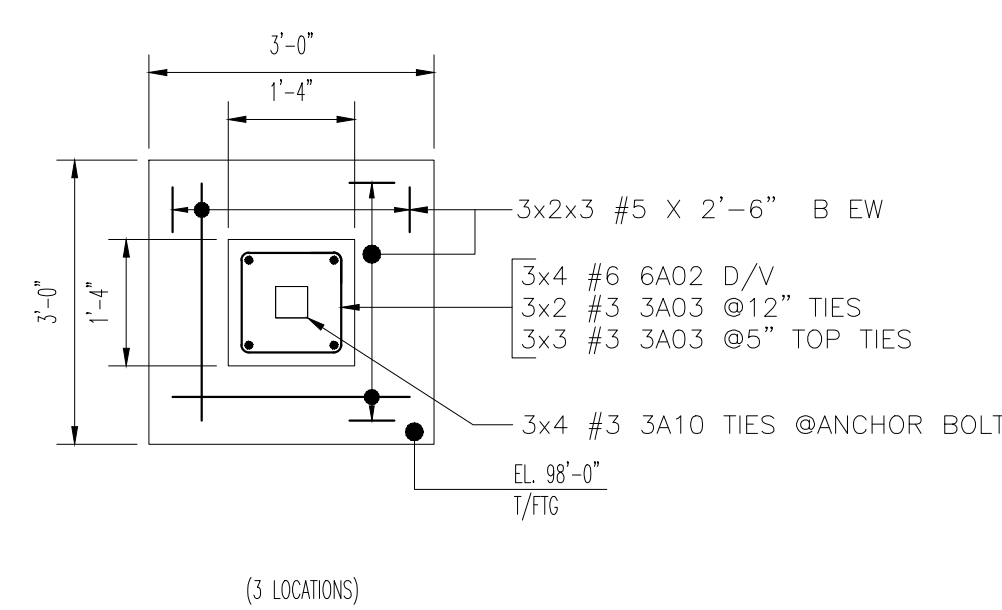
SAMPLE



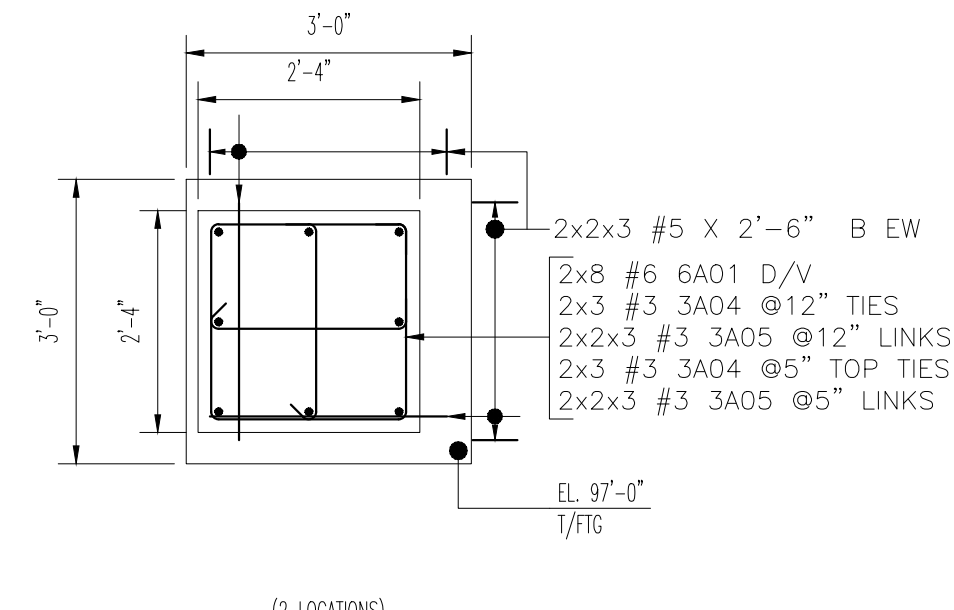
DEPTH=1'-0"
FOOTING F1/P1
SCALE: 1/2"=1'-0"
SRR: S301



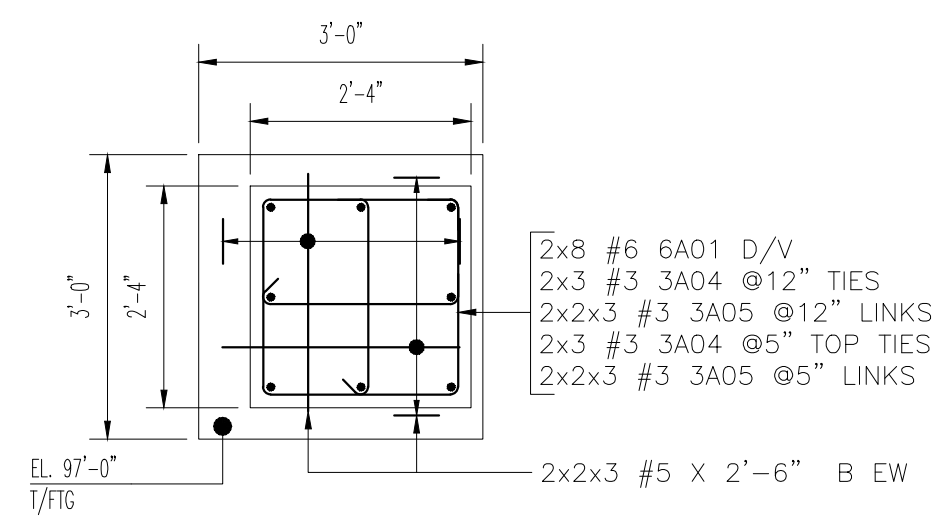
(2 LOCATIONS)
DEPTH=1'-0"
FOOTING F1/P2
SCALE: 1/2"=1'-0"
SRR: S301



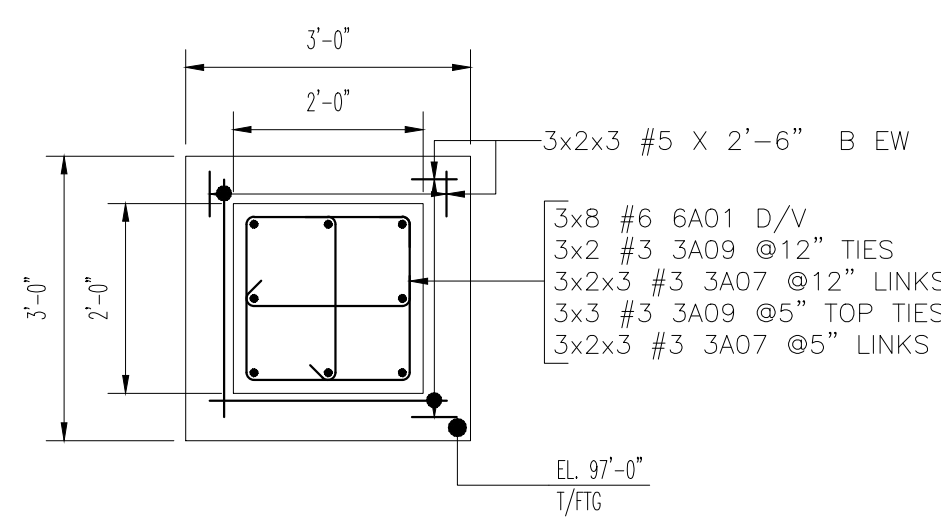
(3 LOCATIONS)
DEPTH=1'-0"
FOOTING F1/P3
SCALE: 1/2"=1'-0"
SRR: S301



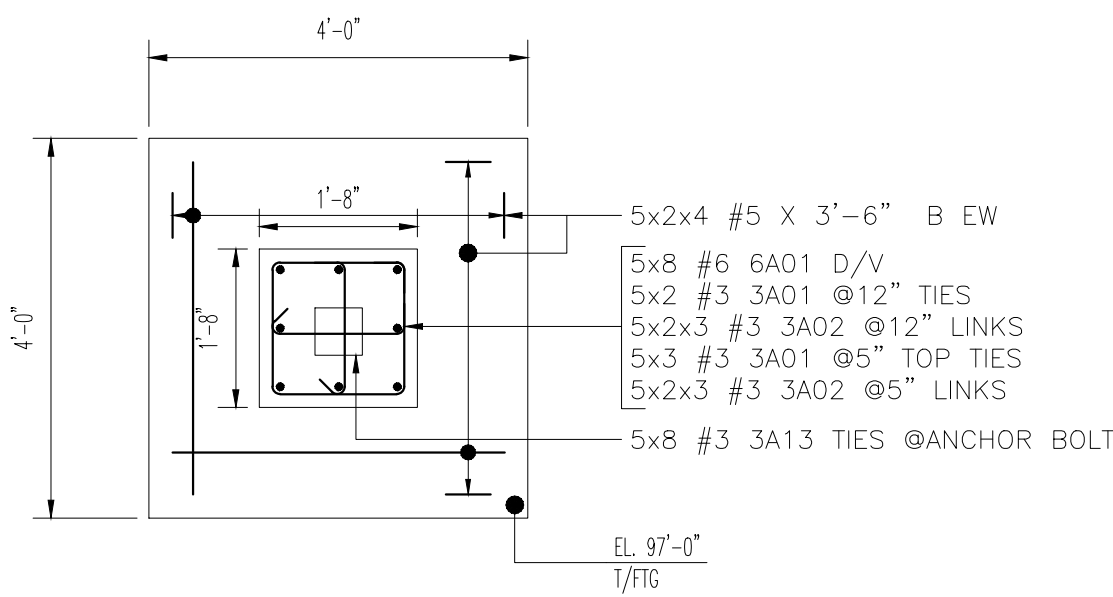
(2 LOCATIONS)
DEPTH=1'-0"
FOOTING F1/P4
SCALE: 1/2"=1'-0"
SRR: S301



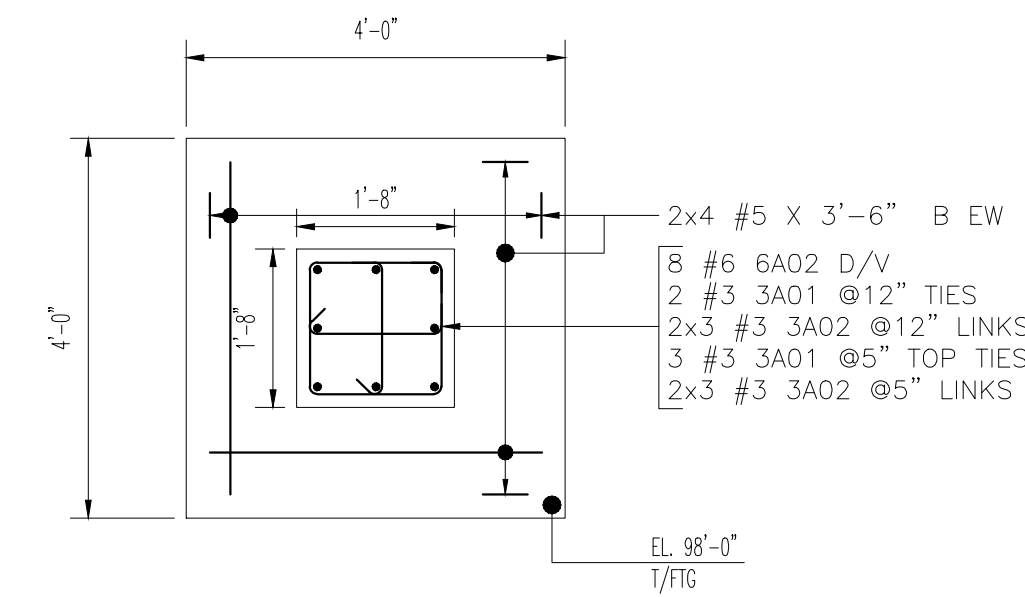
(2 LOCATIONS)
DEPTH=1'-0"
FOOTING F1/P3A
SCALE: 1/2"=1'-0"
SRR: S301



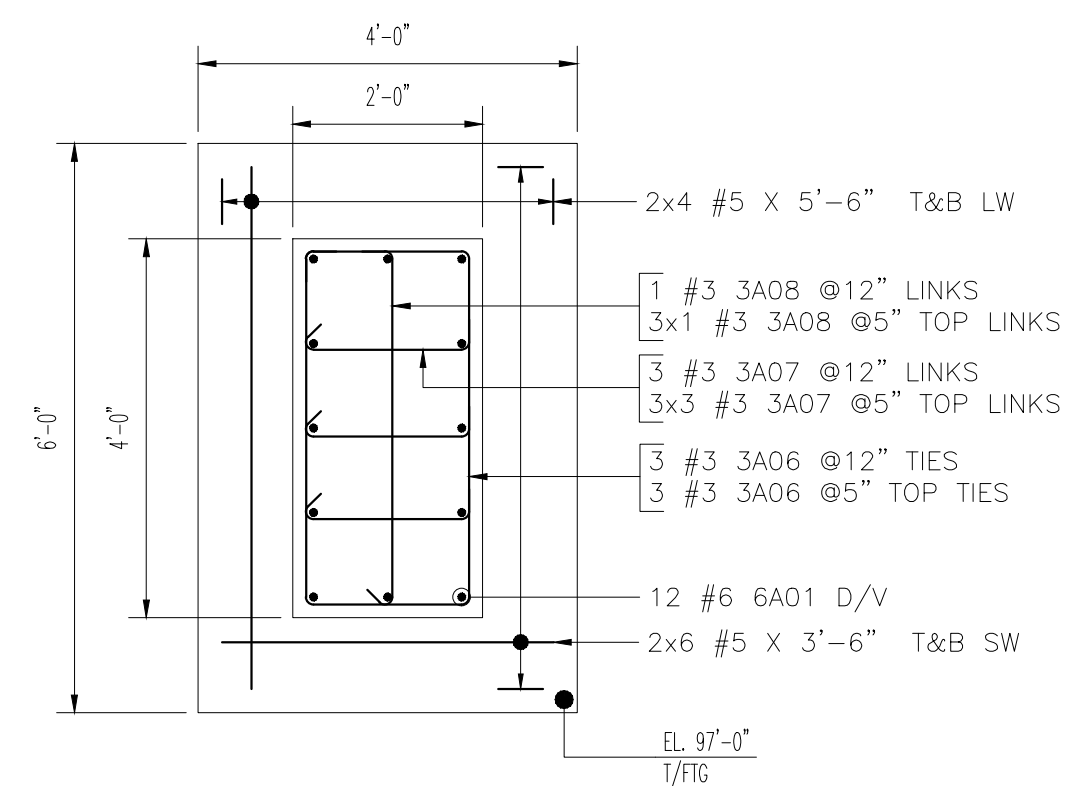
(3 LOCATIONS)
DEPTH=1'-0"
FOOTING F1/P5
SCALE: 1/2"=1'-0"
SRR: S301



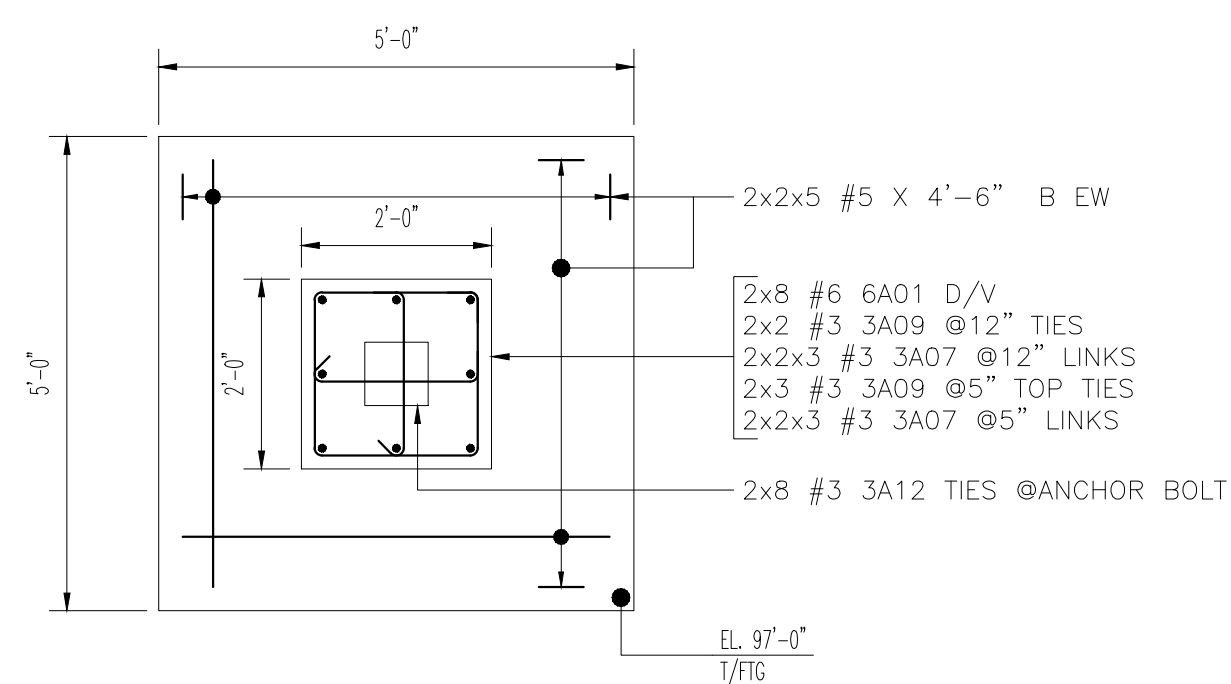
(5 LOCATIONS)
DEPTH=1'-0"
FOOTING F2/P1
SCALE: 1/2"=1'-0"
SRR: S301



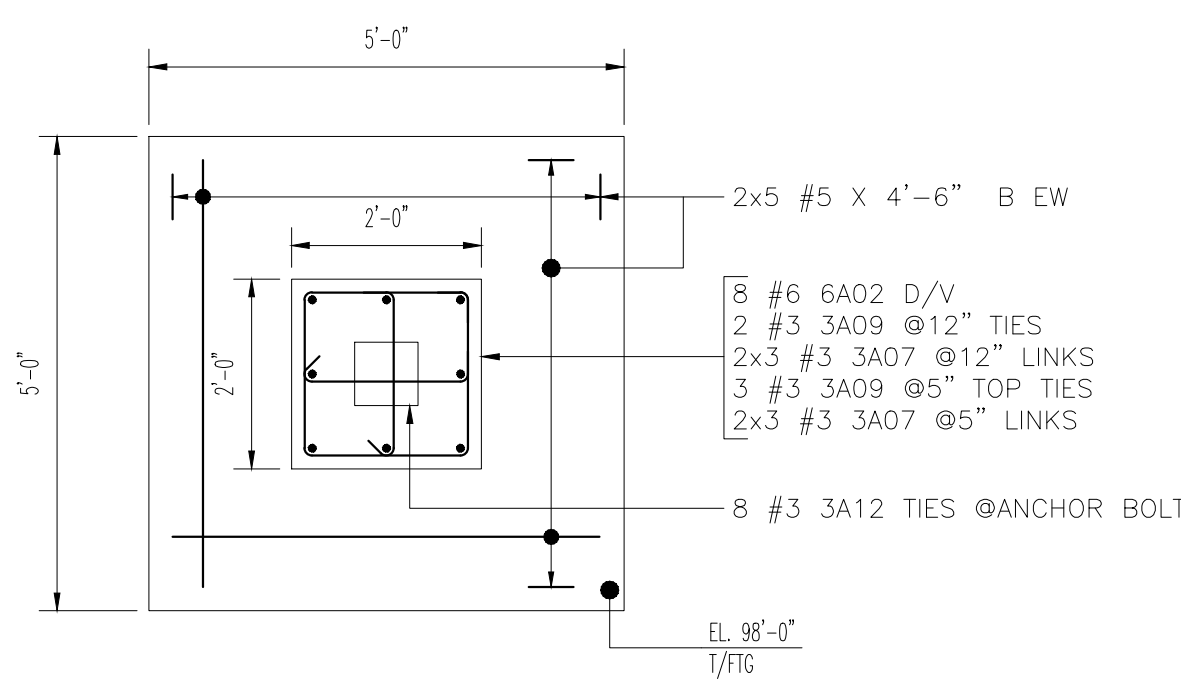
DEPTH=1'-0"
FOOTING F2/P2
SCALE: 1/2"=1'-0"
SRR: S301



DEPTH=1'-0"
FOOTING F3/P4
SCALE: 1/2"=1'-0"
SRR: S301



(2 LOCATIONS)
DEPTH=1'-0"
FOOTING F4/P5
SCALE: 1/2"=1'-0"
SRR: S301



DEPTH=1'-0"
FOOTING F4/P5
SCALE: 1/2"=1'-0"
SRR: S301

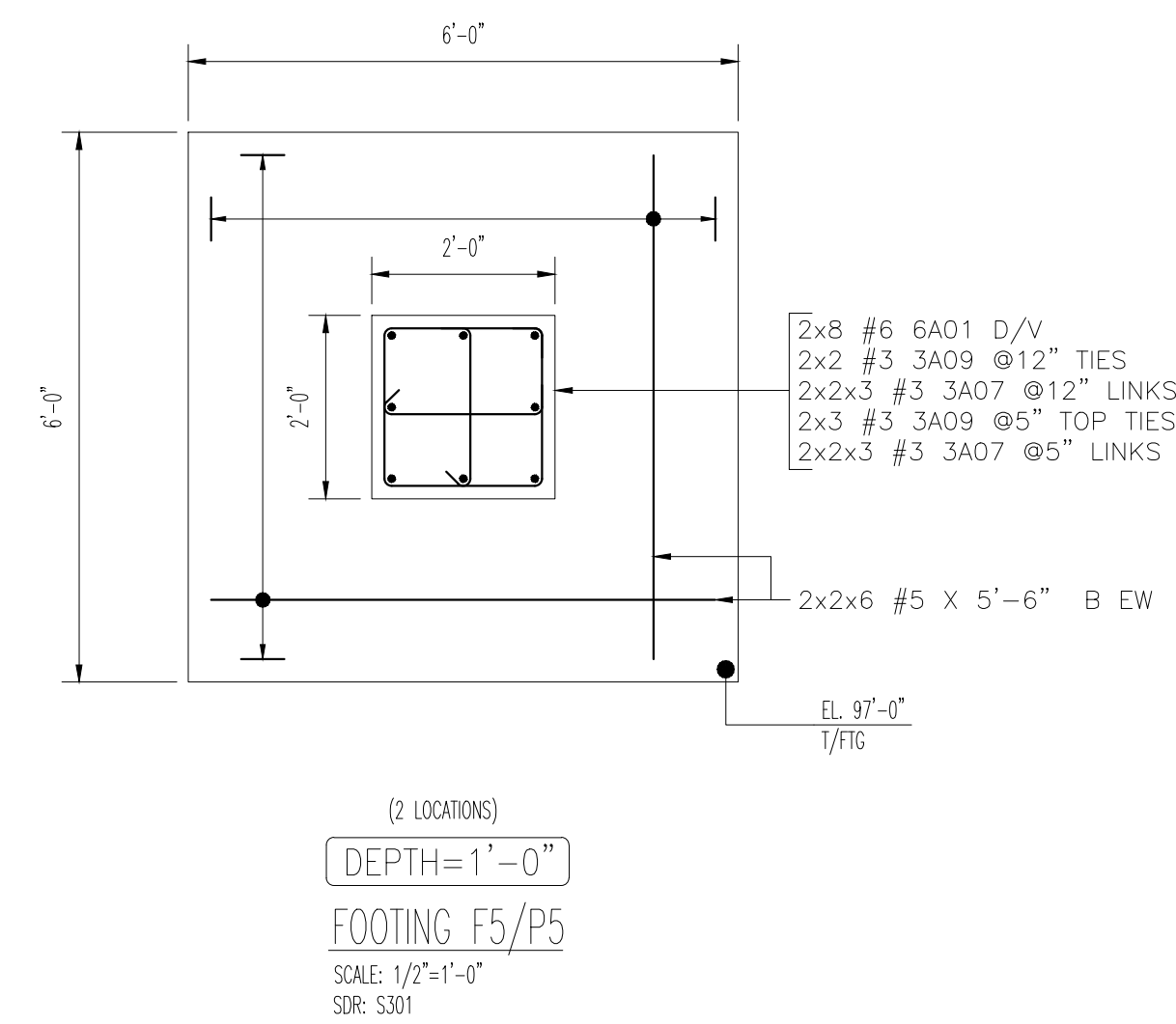
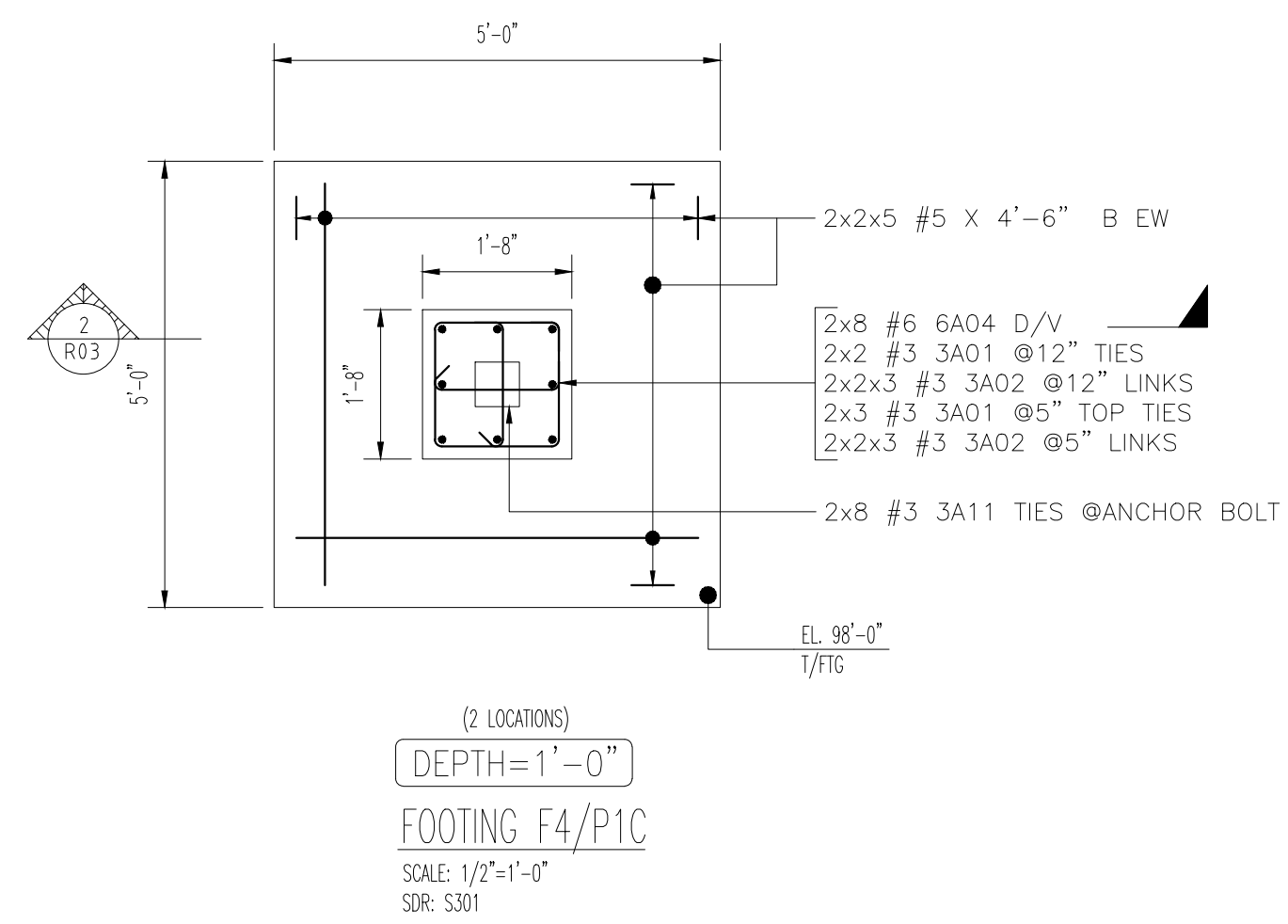
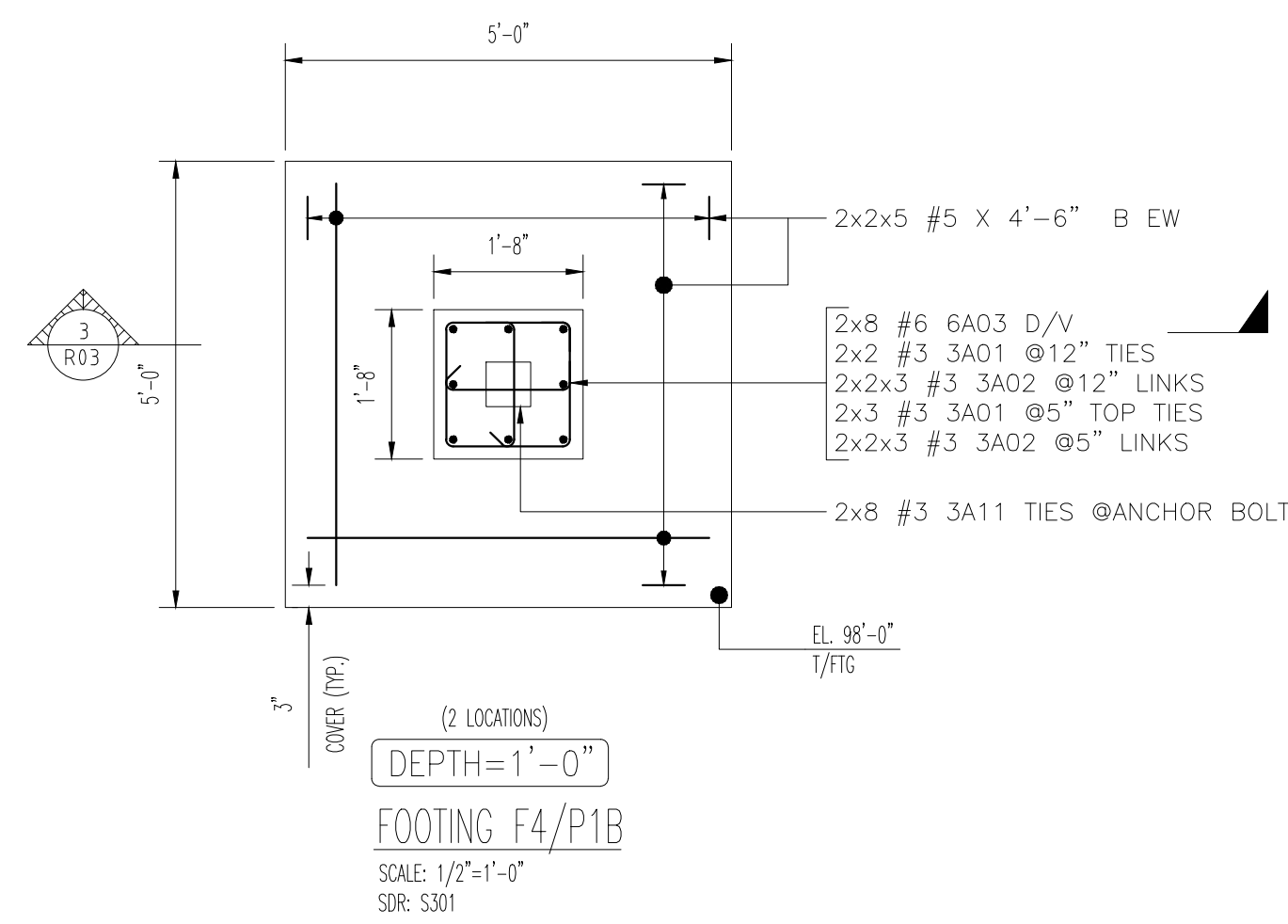
LEGEND :-

	BAR SIZE
	BAR LENGTH
	BAR SPACING
	NO. OF BARS
	NO. OF LOCATION

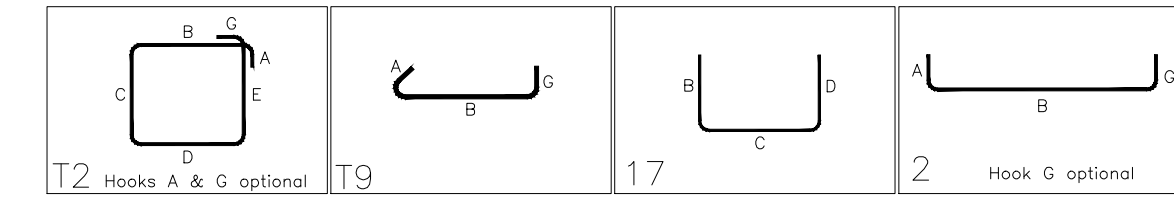
ABBREVIATIONS

ADDITIONAL	ADD'L
DOWEL	DWLS
TOP & BOTTOM	T&B
LONG WAY BAR	LW
SHORT WAY BAR	SW

SAMPLE

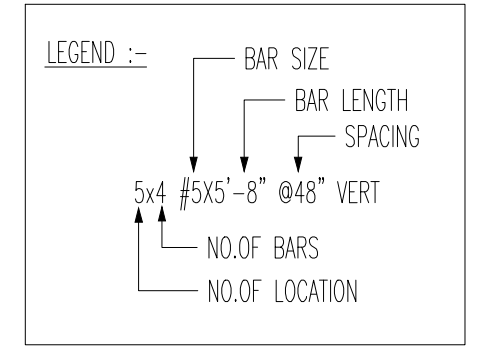
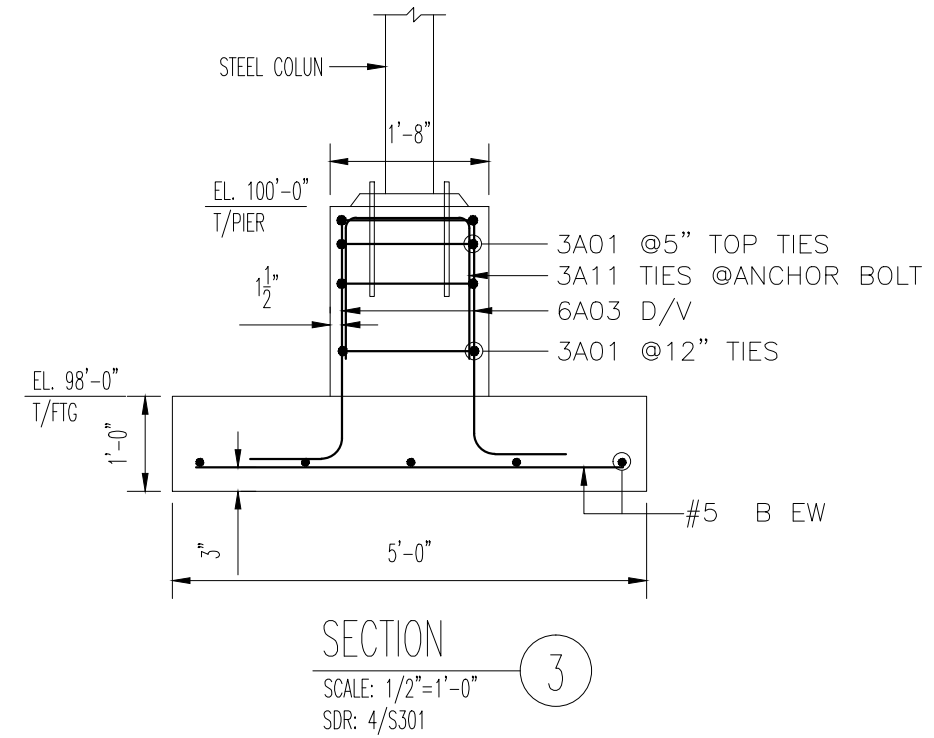
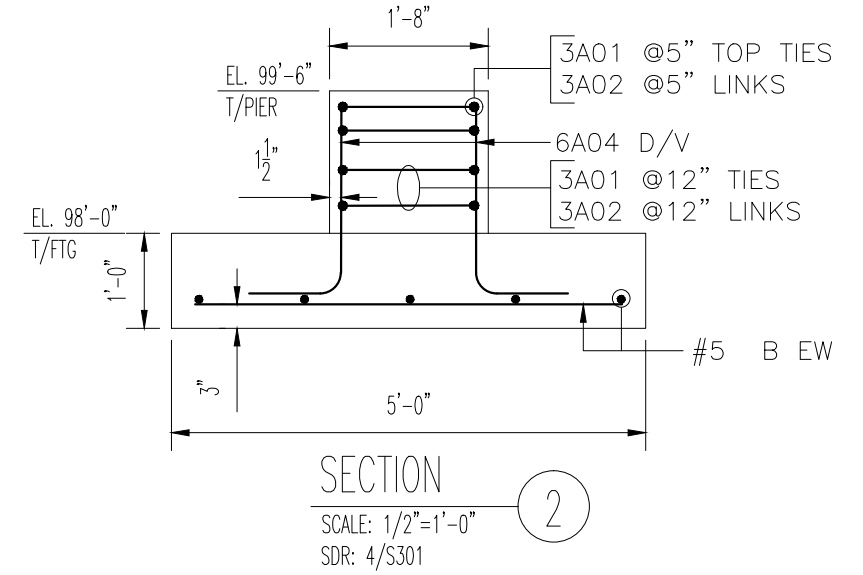
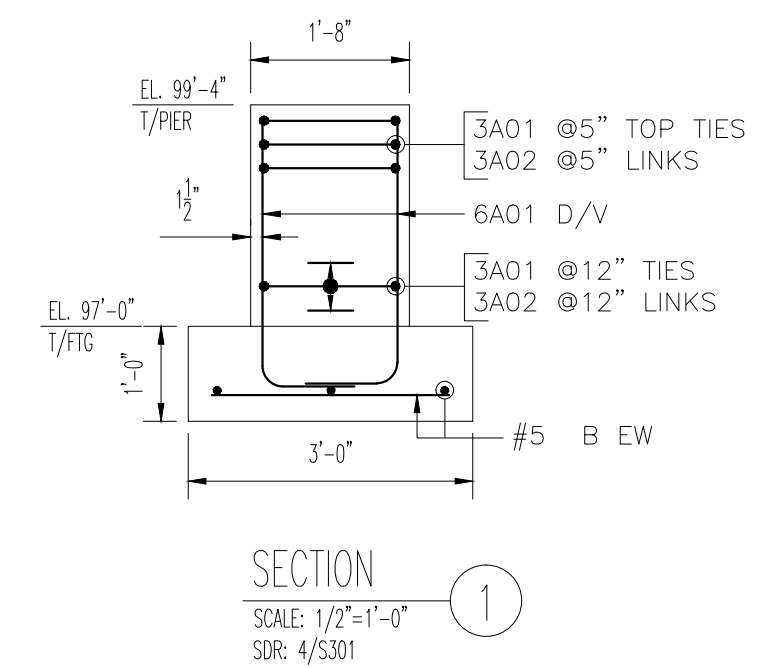


Release Number: R01 & R03		BAR LIST													
Bar Mark	Qty	Size	Total Length	Type	'x'	'y'	'z'	'w'	'v'	'u'	't'	's'	'r'	'q'	'p'
3A01	55	#3	6'-4"	T2	0'-4"	1'-5"	1'-5"	1'-5"	1'-5"						
3A02	132	#3	2'-1"	T9	0'-4"	1'-5"									
3A03	27	#3	5'-0"	T2	0'-4"	1'-1"	1'-1"	1'-1"	1'-1"						
3A04	24	#3	9'-0"	T2	0'-4"	2'-1"	2'-1"	2'-1"	2'-1"						
3A05	48	#3	2'-9"	T9	0'-4"	2'-1"									
3A06	6	#3	11'-8"	T2	0'-4"	3'-9"	1'-9"	3'-9"	1'-9"						
3A07	108	#3	2'-5"	T9	0'-4"	1'-9"									
3A08	4	#3	4'-5"	T9	0'-4"	3'-9"									
3A09	40	#3	7'-8"	T2	0'-4"	1'-9"	1'-9"	1'-9"	1'-9"						
3A10	20	#3	4'-0"	T2		1'-6"	1'-0"	1'-6"							
3A11	32	#3	4'-4"	T2		1'-6"	1'-4"	1'-6"							
3A12	24	#3	4'-8"	T2		1'-6"	1'-8"	1'-6"							
3A13	40	#3	4'-4"	T2		1'-6"	1'-4"	1'-6"							
6A01	156	#6	3'-10"	T2	1'-0"	2'-10"									
6A02	28	#6	2'-10"	T2	1'-0"	1'-10"									
6A03	16	#6	3'-6"	T2	1'-0"	2'-6"									
6A04	16	#6	3'-0"	T2	1'-0"	2'-0"									



ALL BARS IN THIS DRAWING
ASTM A615 GRADE 60
BLACK UNCOATED

NOTES: 1) 3" Cover for bottom & sides
2) 2" Cover for all other structures



ABBREVIATIONS	
ADDITIONAL	ADD'L
DOWEL	DWLS
TOP & BOTTOM	T&B
LONG WAY BAR	LW
SHORT WAY BAR	SW

SAMPLE