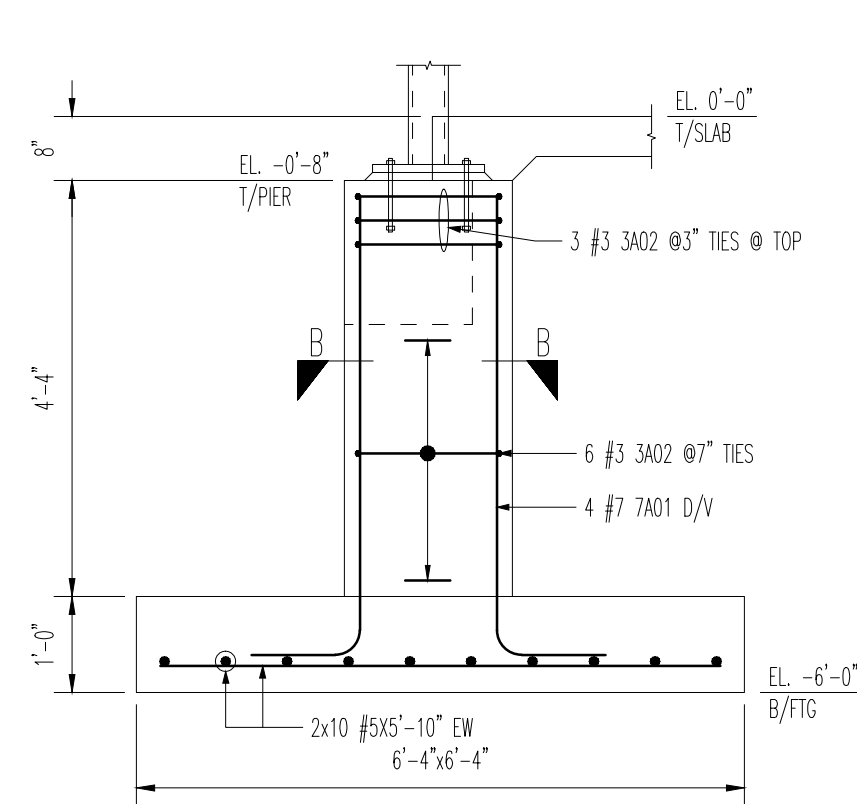
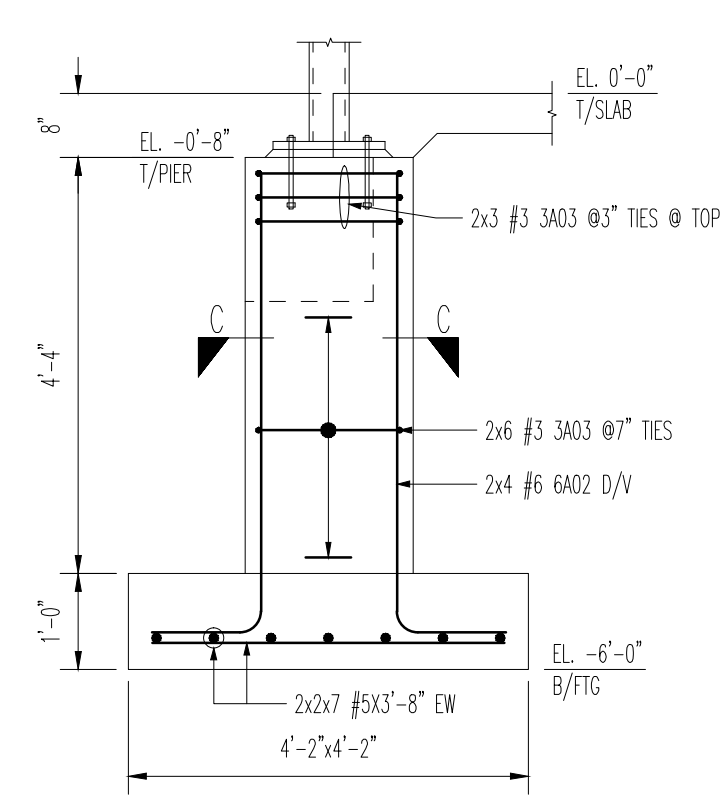


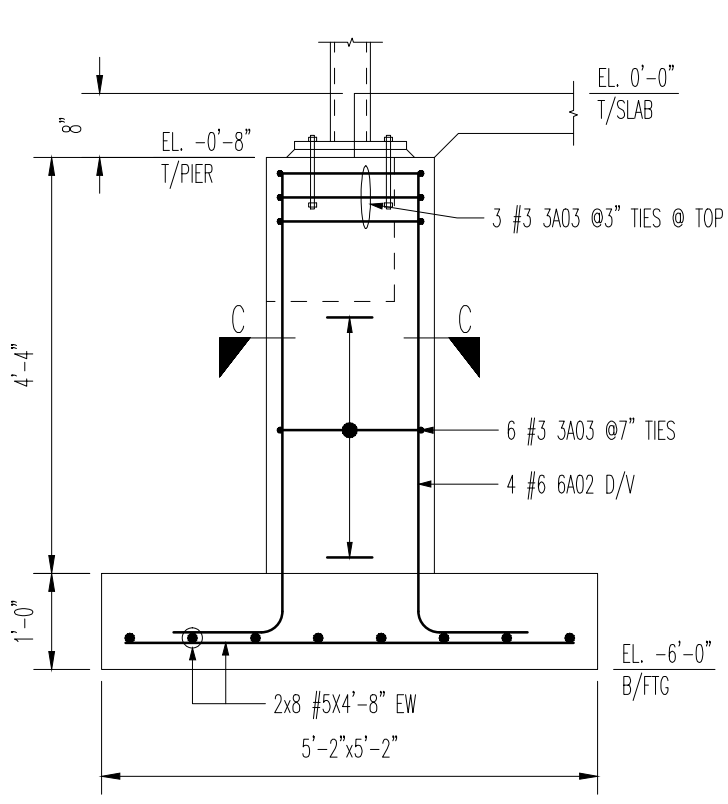
GRID - A-5&6  
FOOTING - F1  
SCALE: 1/2"=1'-0"  
SOR: S211/S-02  
(02 LOC)



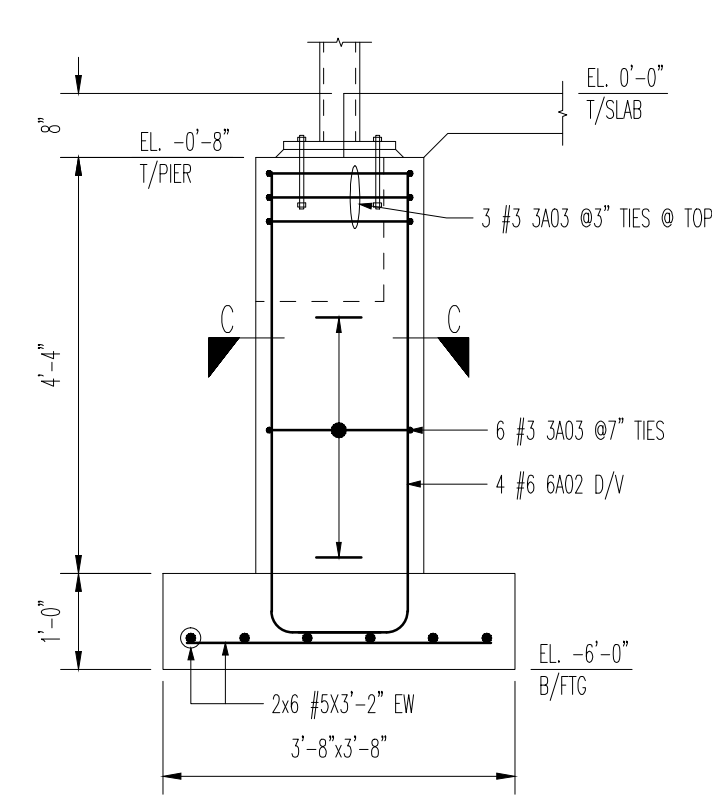
GRID - B-3  
FOOTING - F2  
SCALE: 1/2"=1'-0"  
SOR: S211/S-02  
(01 LOC)



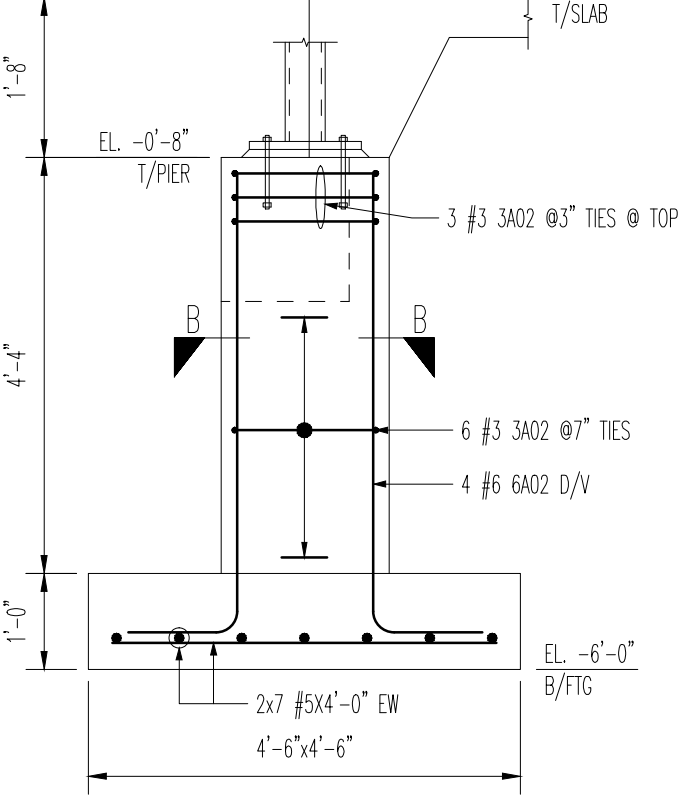
GRID - B-4 & B-7  
FOOTING - F3  
SCALE: 1/2"=1'-0"  
SOR: S211/S-02  
(01 LOC)



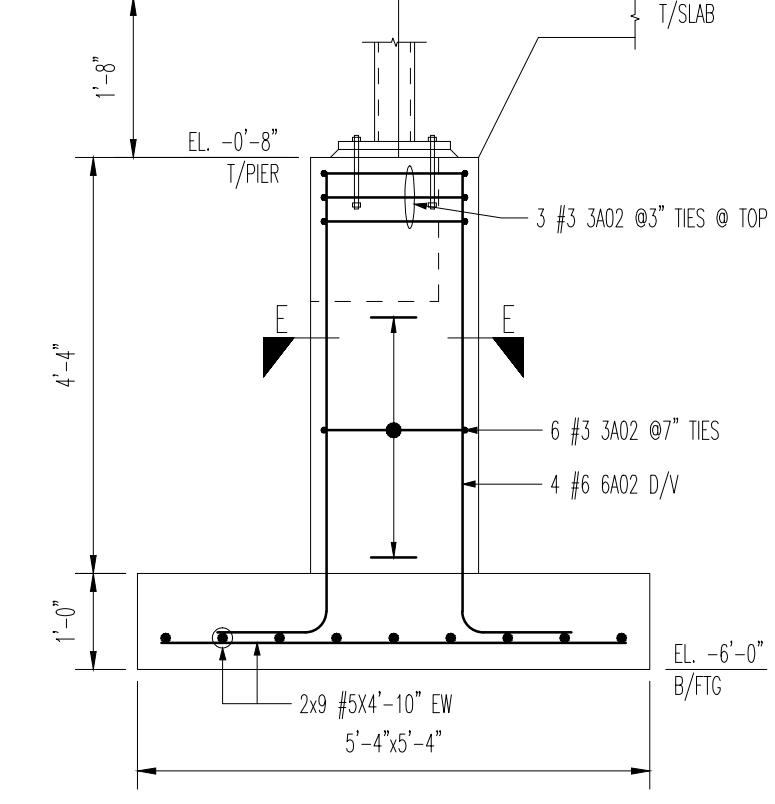
GRID - B-5  
FOOTING - F4  
SCALE: 1/2"=1'-0"  
SOR: S211/S-02  
(01 LOC)



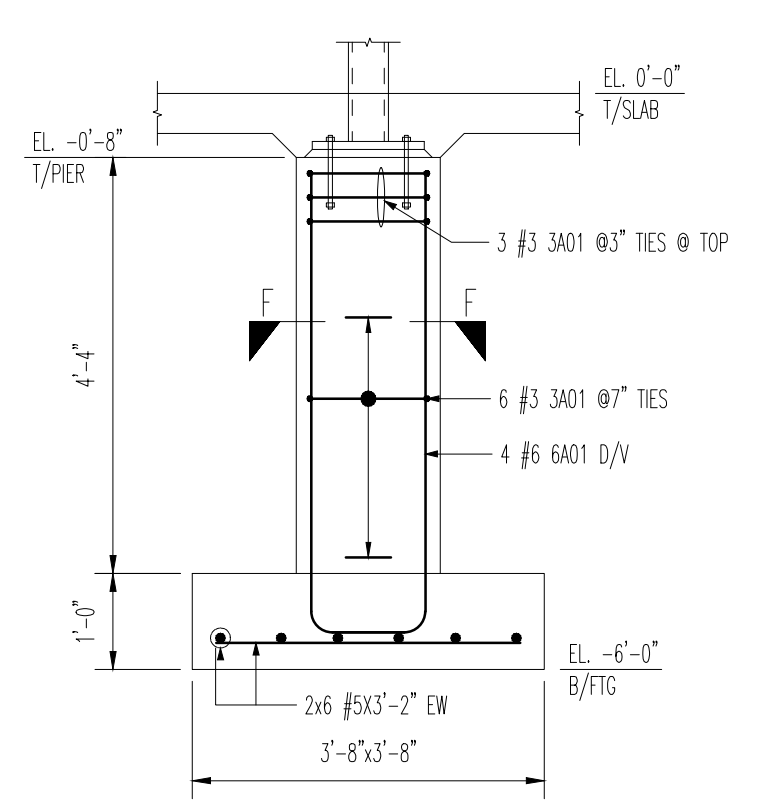
GRID - B-6  
FOOTING - F5  
SCALE: 1/2"=1'-0"  
SOR: S211/S-02  
(01 LOC)



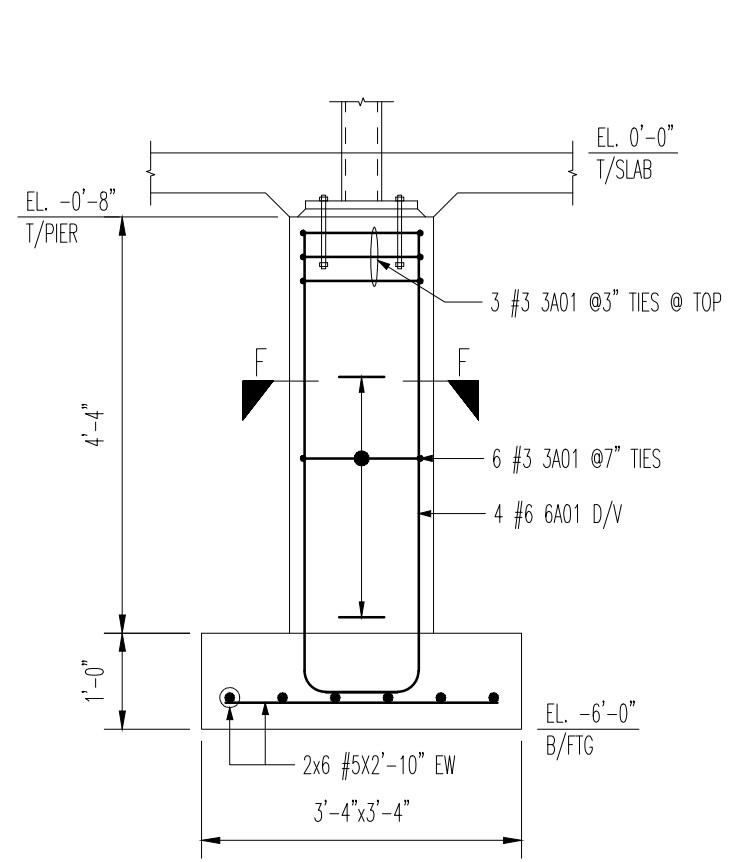
GRID - B.6-2  
FOOTING - F6  
SCALE: 1/2"=1'-0"  
SOR: S211/S-02  
(01 LOC)



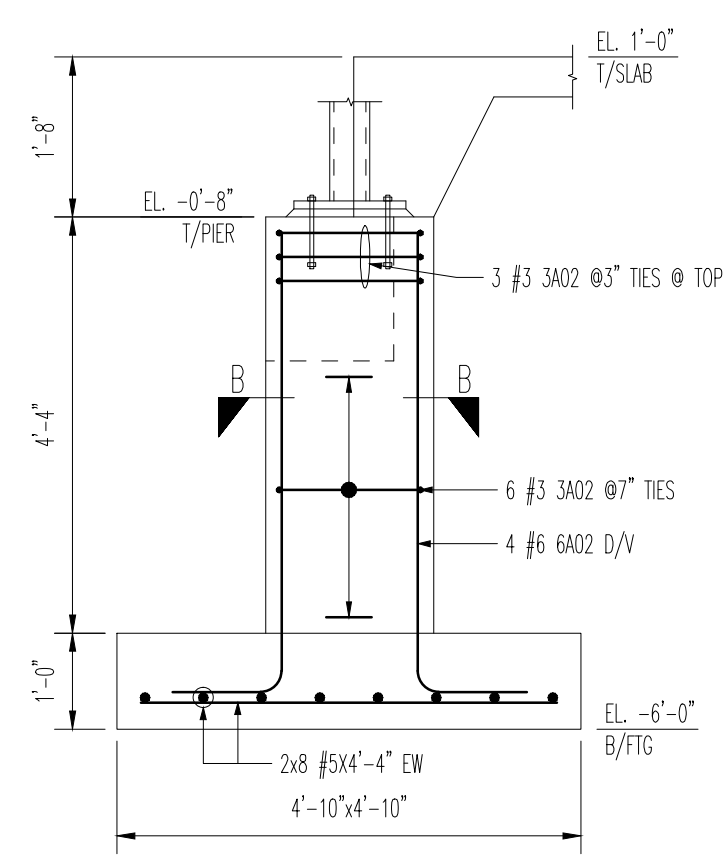
GRID - B.6-3  
FOOTING - F7  
SCALE: 1/2"=1'-0"  
SOR: S211/S-02  
(01 LOC)



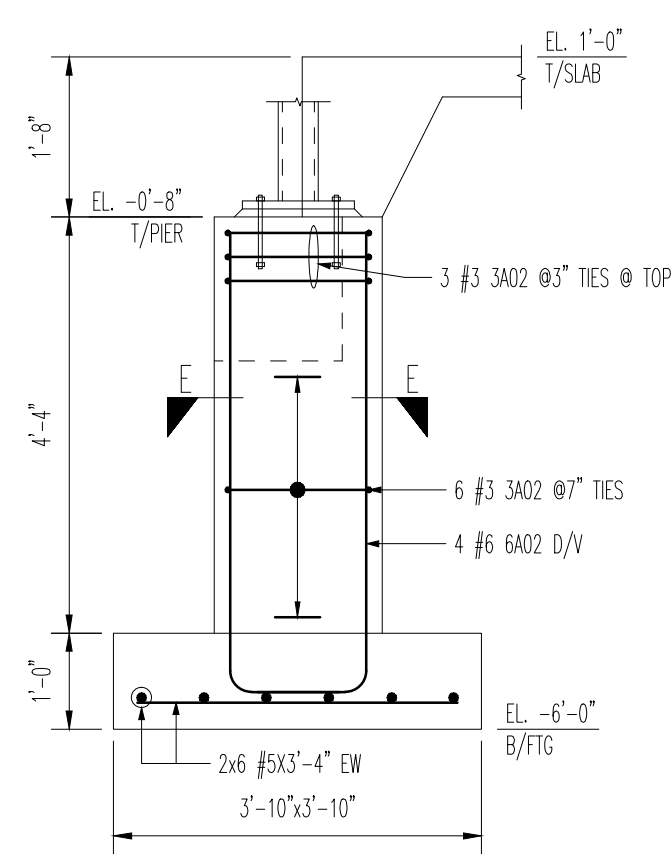
GRID - B.6-4  
FOOTING - F8  
SCALE: 1/2"=1'-0"  
SOR: S211/S-02  
(01 LOC)



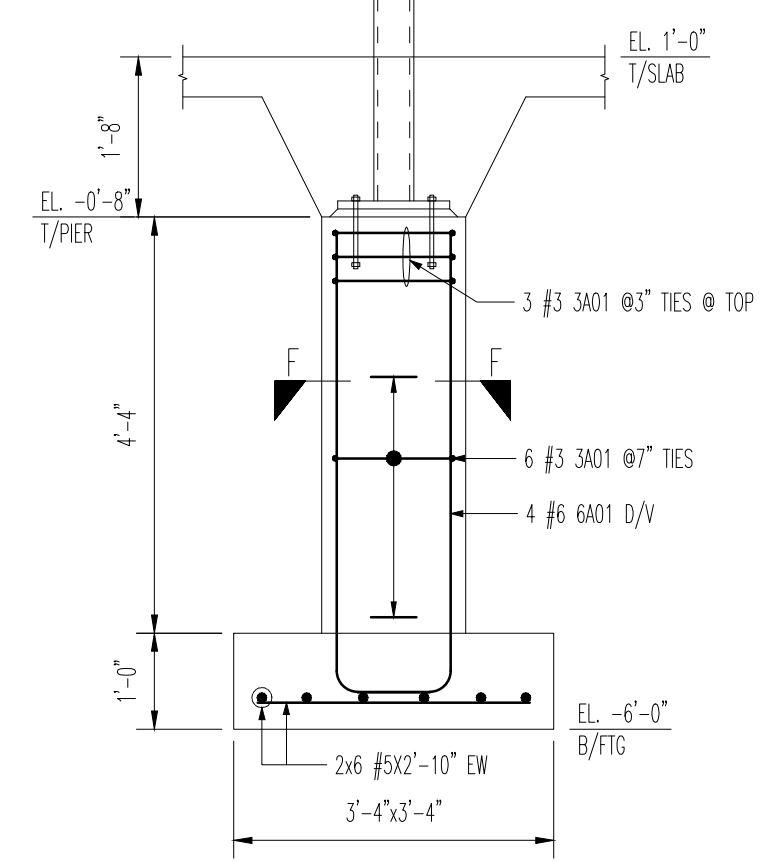
GRID - B.6-5  
FOOTING - F9  
SCALE: 1/2"=1'-0"  
SOR: S211/S-02  
(01 LOC)



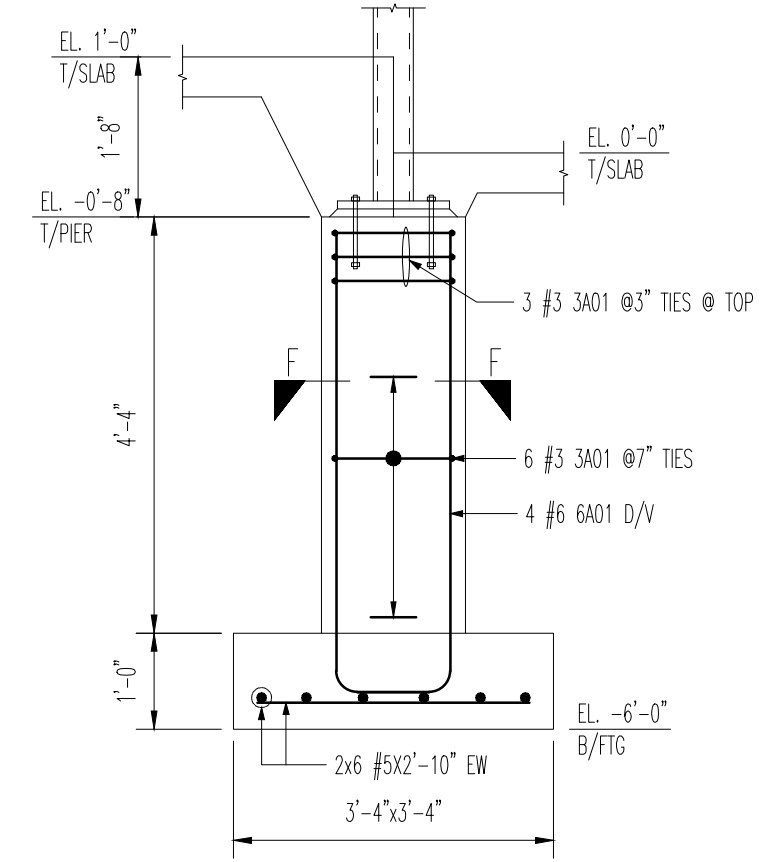
GRID - C-1  
FOOTING - F10  
SCALE: 1/2"=1'-0"  
SOR: S211/S-02  
(01 LOC)



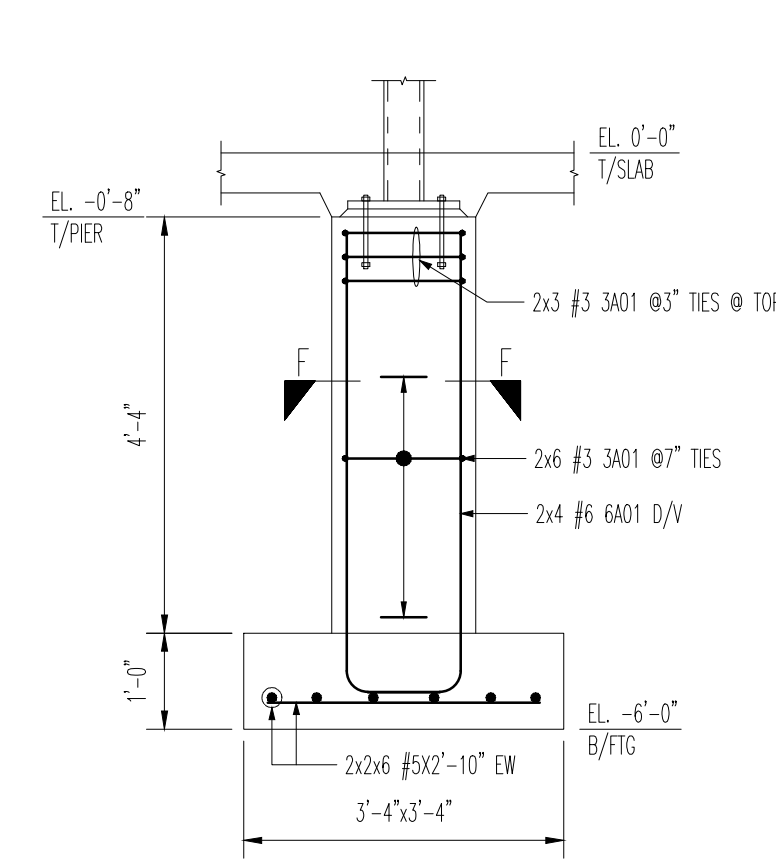
GRID - C-2  
FOOTING - F11  
SCALE: 1/2"=1'-0"  
SOR: S211/S-02  
(01 LOC)



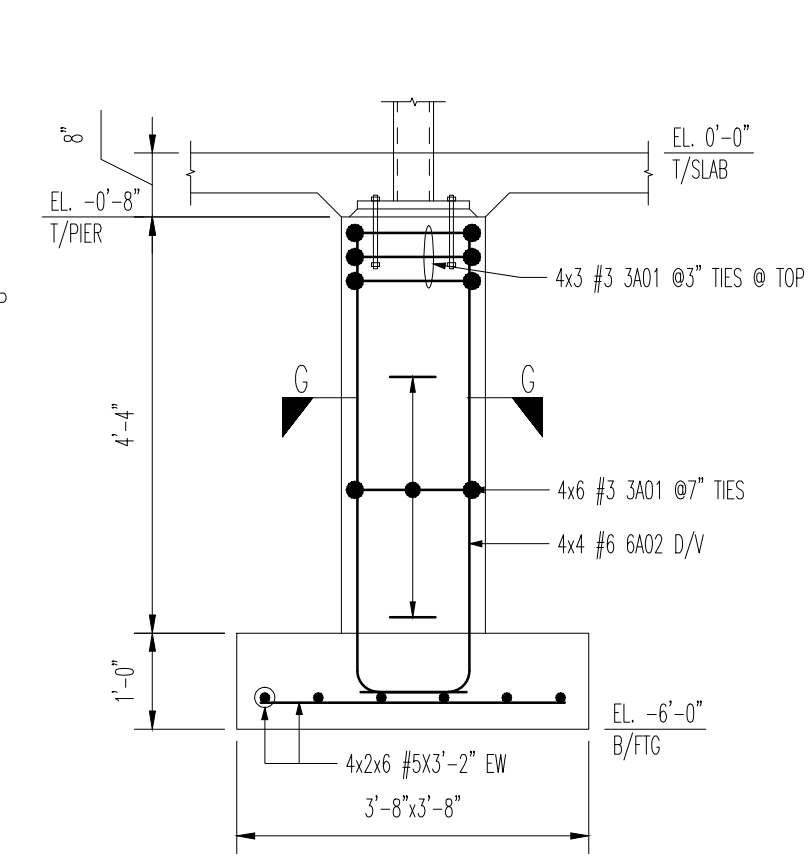
GRID - D-2  
FOOTING - F12  
SCALE: 1/2"=1'-0"  
SOR: S211/S-02  
(01 LOC)



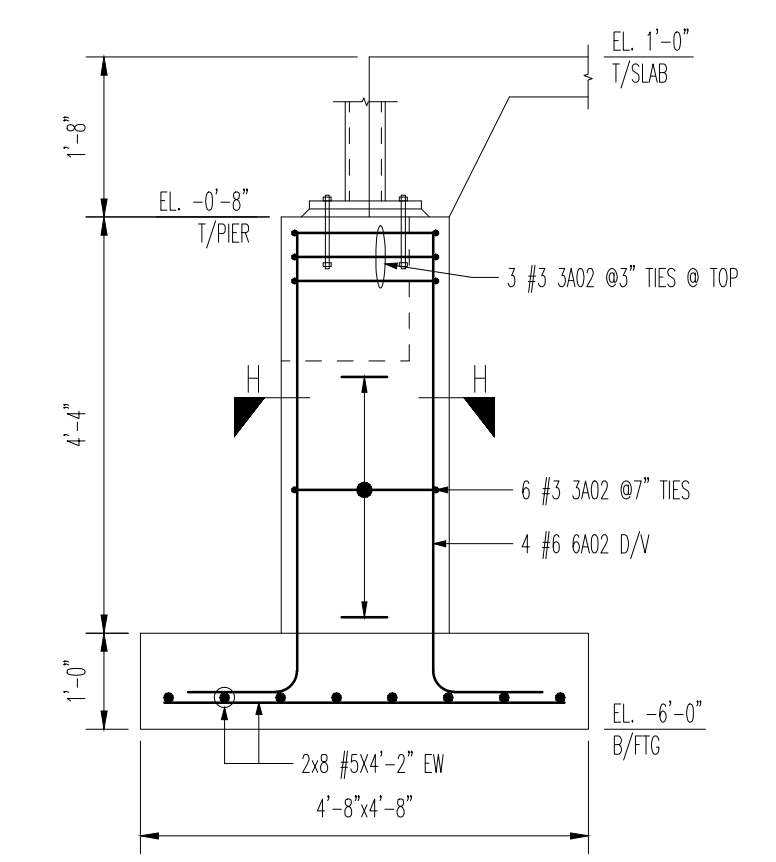
GRID - D-3  
FOOTING - F12A  
SCALE: 1/2"=1'-0"  
SOR: S211/S-02  
(01 LOC)



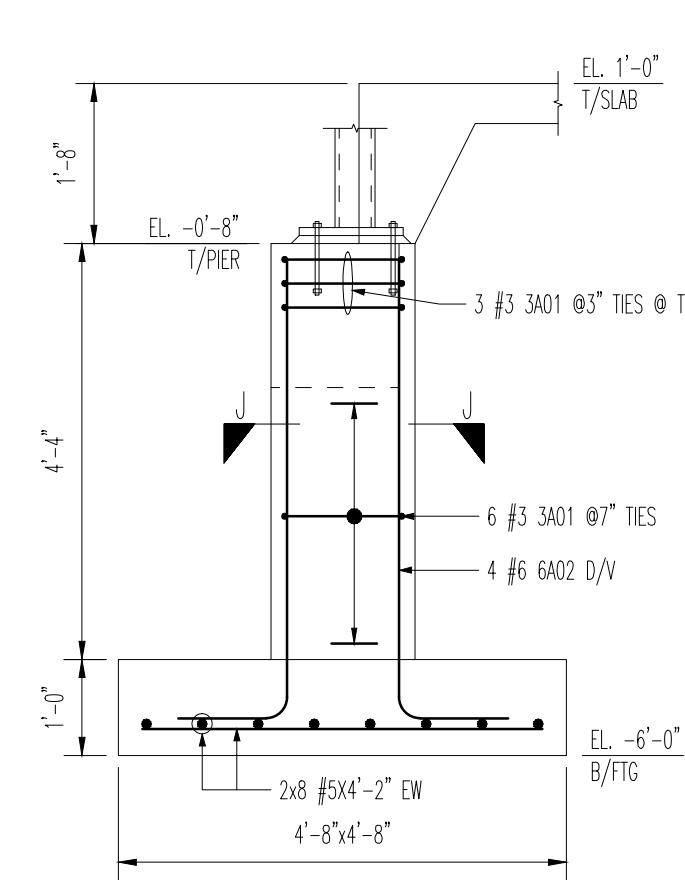
GRID - D-4&5  
FOOTING - F12B  
SCALE: 1/2"=1'-0"  
SOR: S211/S-02  
(02 LOC)



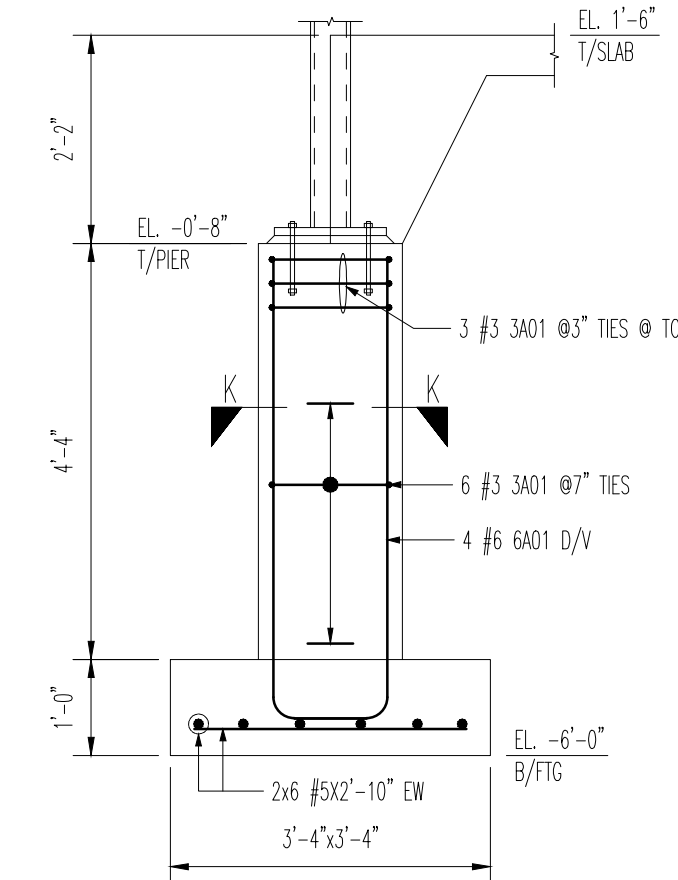
GRID - C.8-6 & B.6-6.6 & B.6-8 & C.8-8  
FOOTING - F13  
SCALE: 1/2"=1'-0"  
SOR: S211/S-02  
(04 LOC)



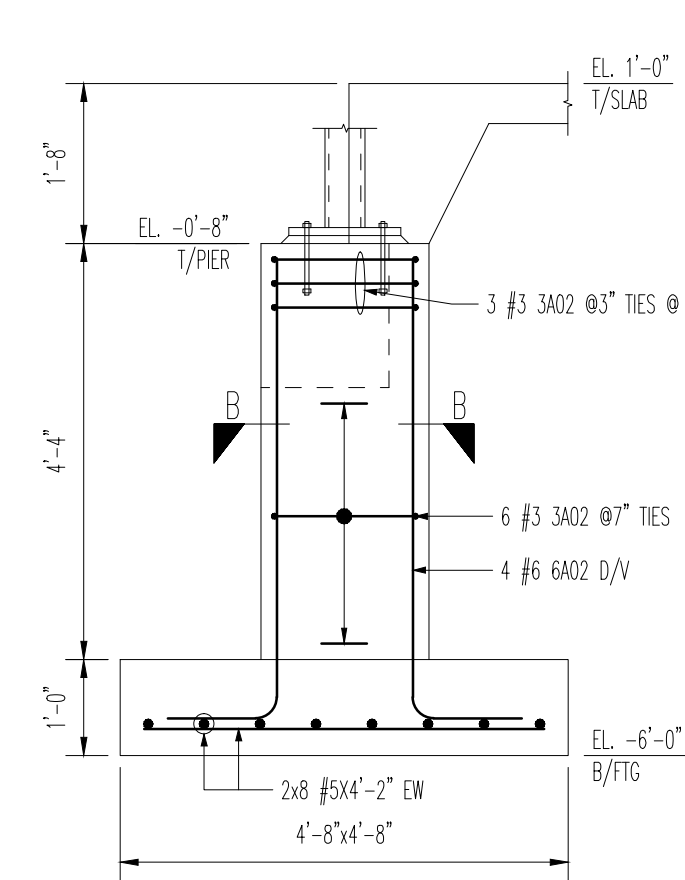
GRID - E-1  
FOOTING - F14  
SCALE: 1/2"=1'-0"  
SOR: S211/S-02  
(01 LOC)



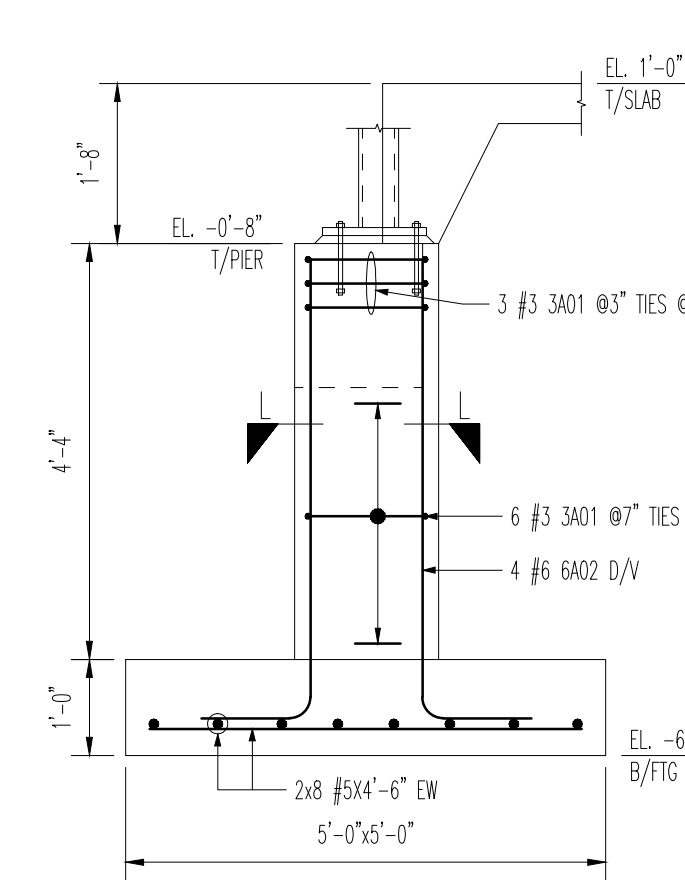
GRID - E-1.5  
FOOTING - F15  
SCALE: 1/2"=1'-0"  
SOR: S211/S-02  
(01 LOC)



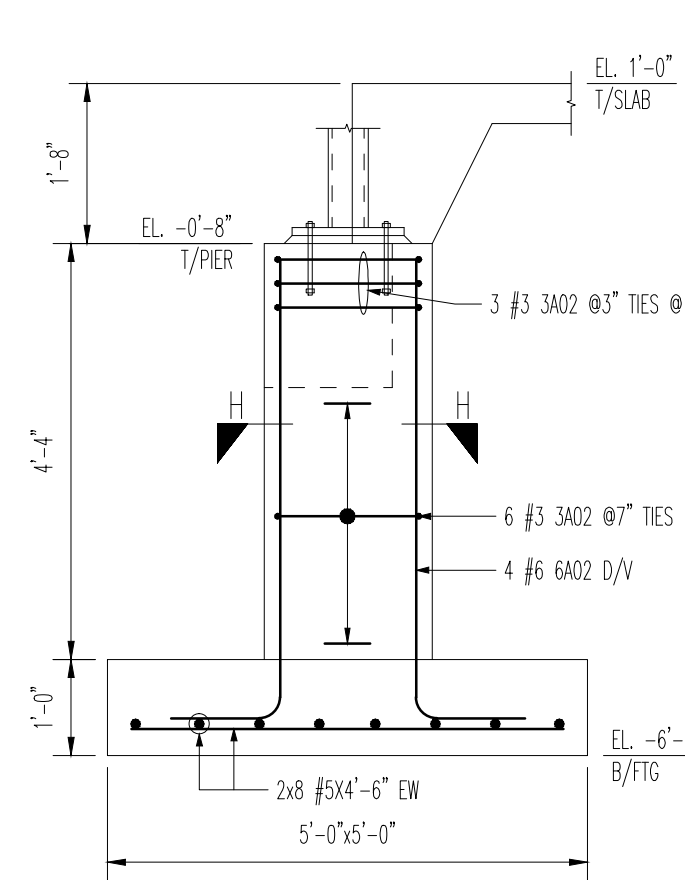
GRID - E.5-1.5  
FOOTING - F16  
SCALE: 1/2"=1'-0"  
SOR: S211/S-02  
(01 LOC)



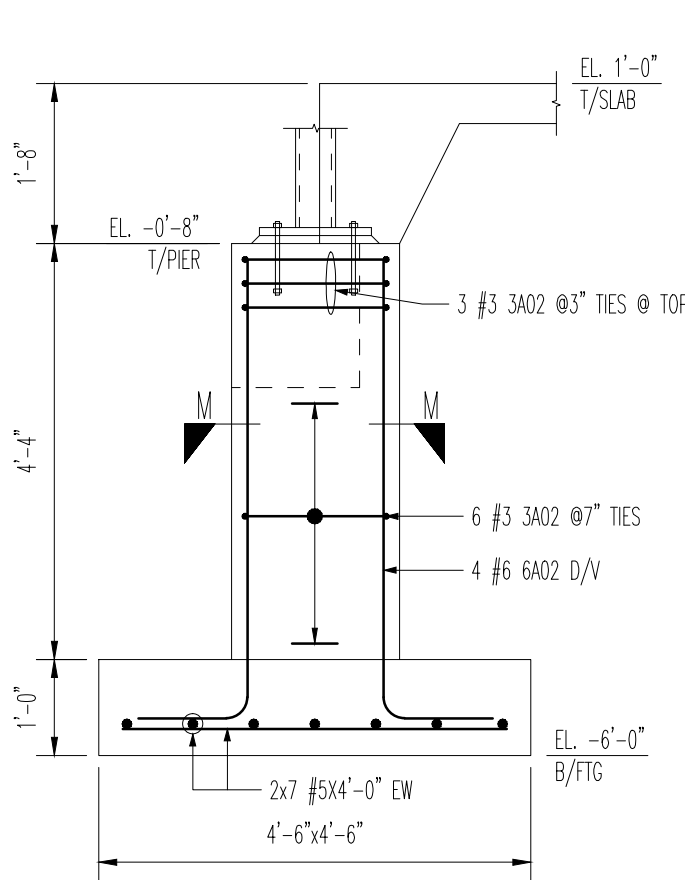
GRID - F-1  
FOOTING - F17  
SCALE: 1/2"=1'-0"  
SOR: S211/S-02  
(01 LOC)



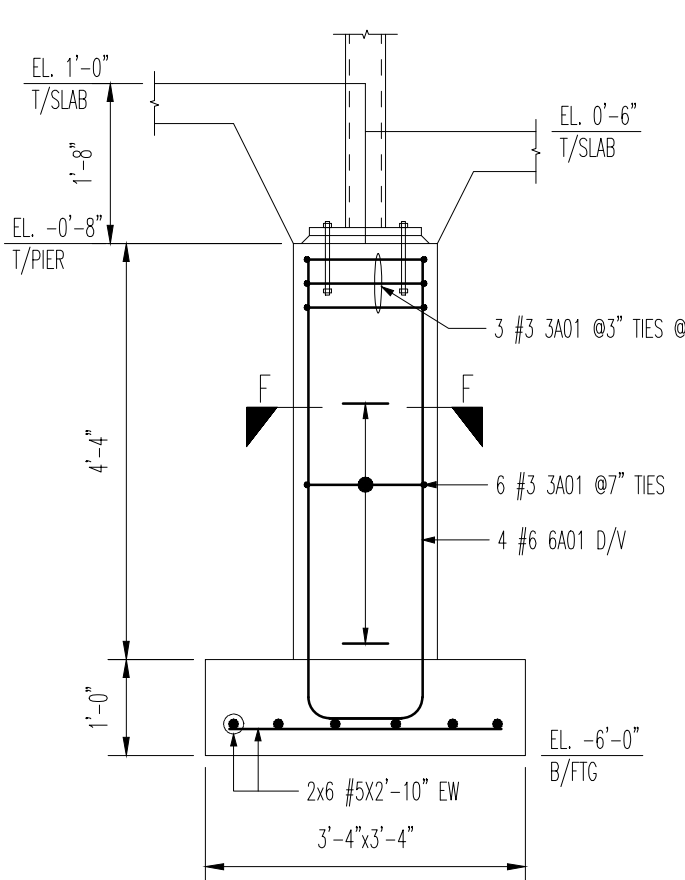
GRID - F-1.5  
FOOTING - F18  
SCALE: 1/2"=1'-0"  
SOR: S211/S-02  
(01 LOC)



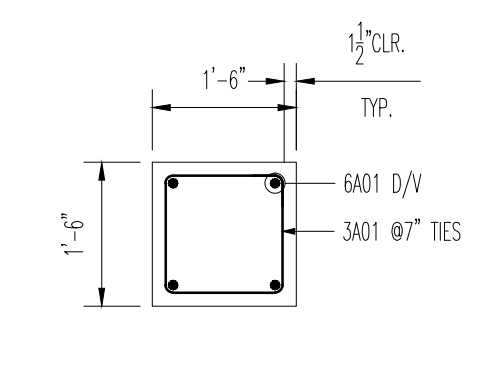
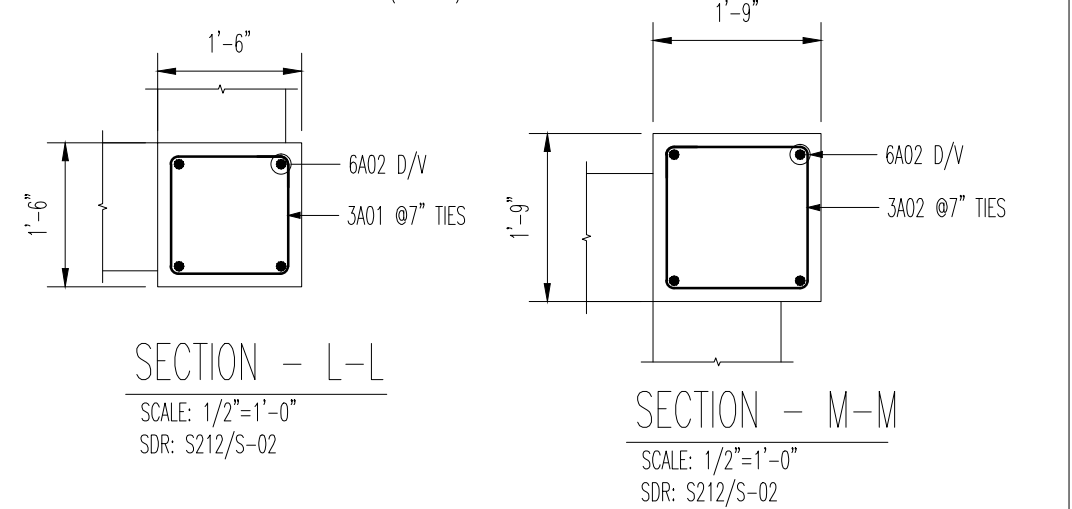
GRID - H-1  
FOOTING - F19  
SCALE: 1/2"=1'-0"  
SOR: S211/S-02  
(01 LOC)



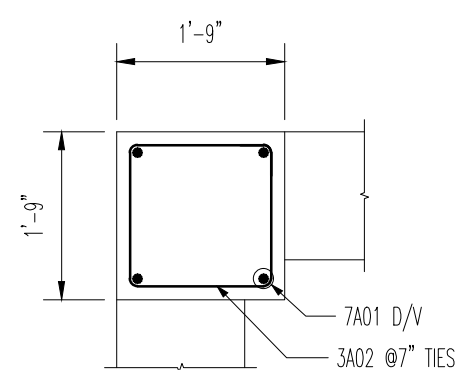
GRID - H-2  
FOOTING - F20  
SCALE: 1/2"=1'-0"  
SOR: S211/S-02  
(01 LOC)



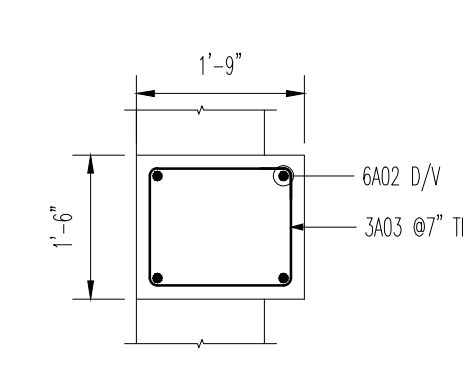
GRID - G-2  
FOOTING - F21  
SCALE: 1/2"=1'-0"  
SOR: S211/S-02  
(01 LOC)



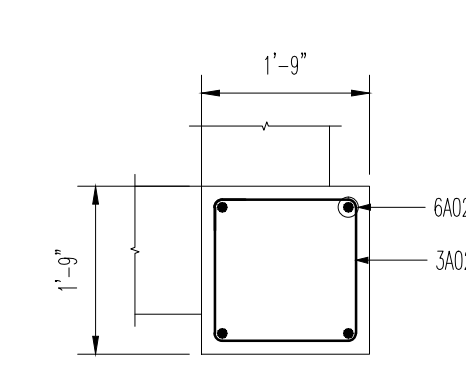
SECTION - A-A  
SCALE: 1/2"=1'-0"  
SOR: S212/S-02



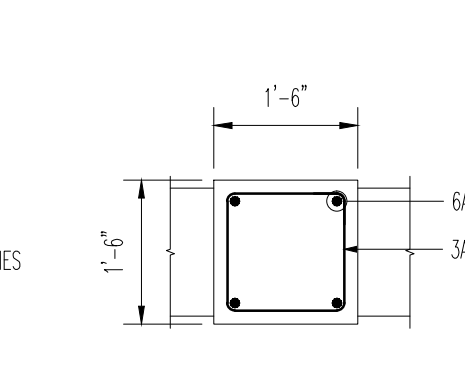
SECTION - B-B  
SCALE: 1/2"=1'-0"  
SOR: S212/S-02



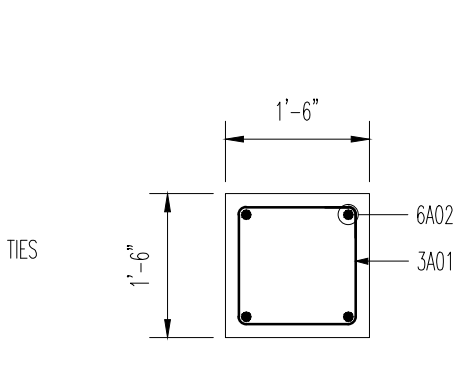
SECTION - C-C  
SCALE: 1/2"=1'-0"  
SOR: S212/S-02



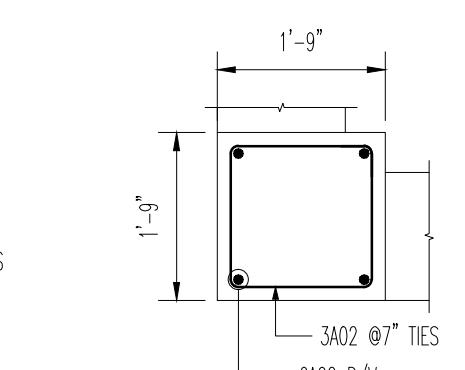
SECTION - E-E  
SCALE: 1/2"=1'-0"  
SOR: S212/S-02



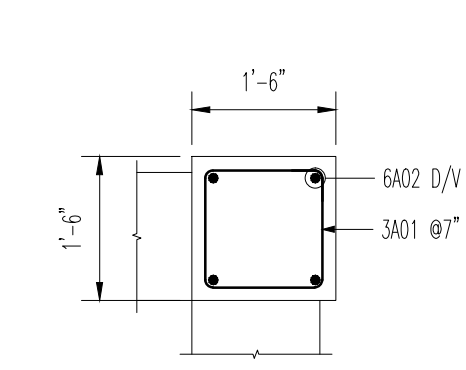
SECTION - F-F  
SCALE: 1/2"=1'-0"  
SOR: S212/S-02



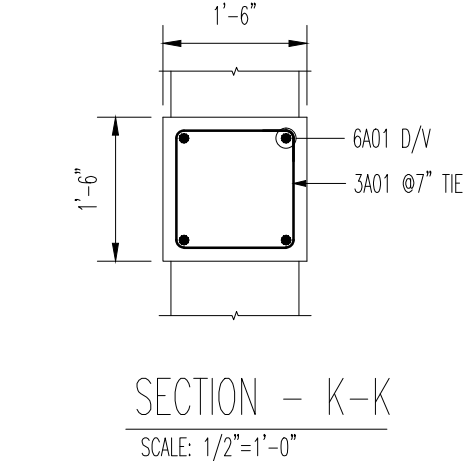
SECTION - G-G  
SCALE: 1/2"=1'-0"  
SOR: S212/S-02



SECTION - H-H  
SCALE: 1/2"=1'-0"  
SOR: S212/S-02



SECTION - J-J  
SCALE: 1/2"=1'-0"  
SOR: S212/S-02



SECTION - K-K  
SCALE: 1/2"=1'-0"  
SOR: S212/S-02

SAMPLE

