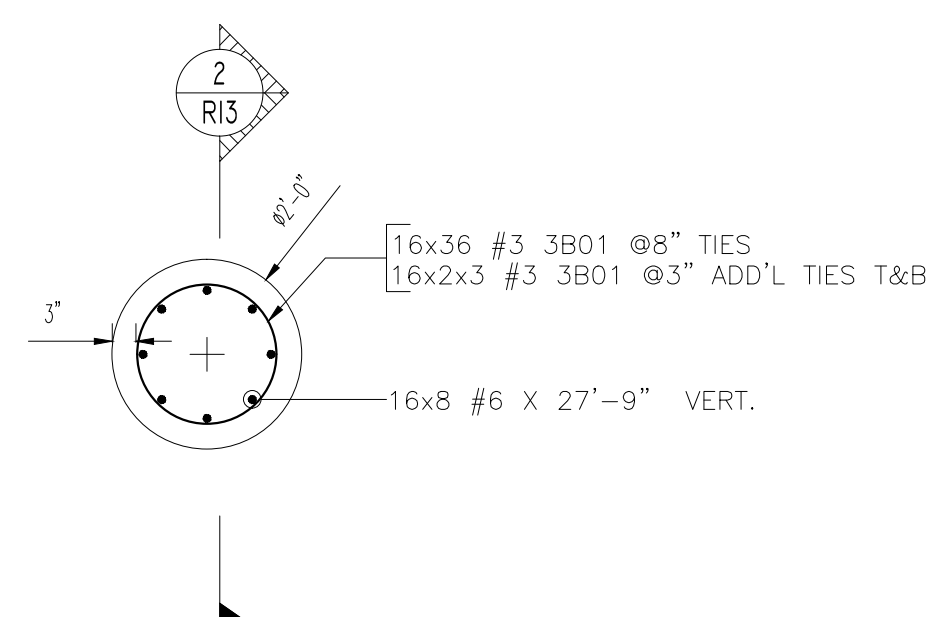
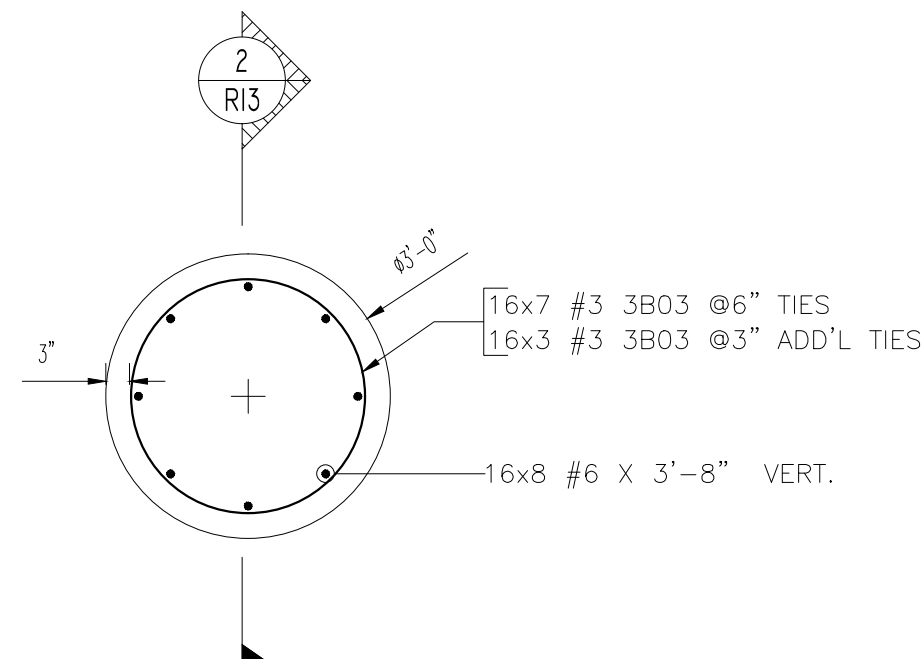


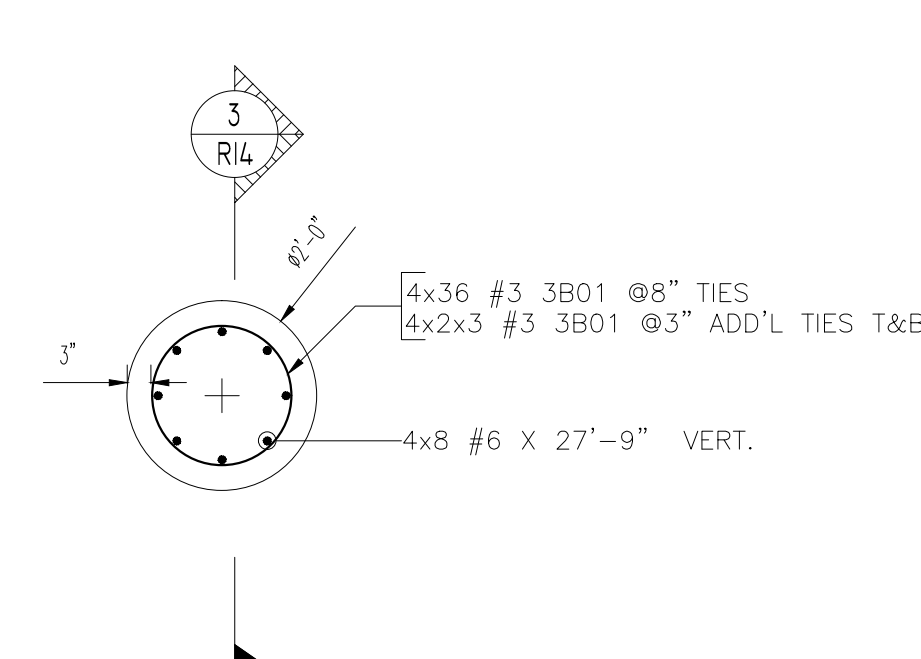
(TYPE A)
(36 LOCATION)
(PU-P01 TO PU-P36)
REINFORCEMENT DETAILS FOR PILE
SCALE: 1/2"=1'-0"
SOR: A/1399-02-00-03-161



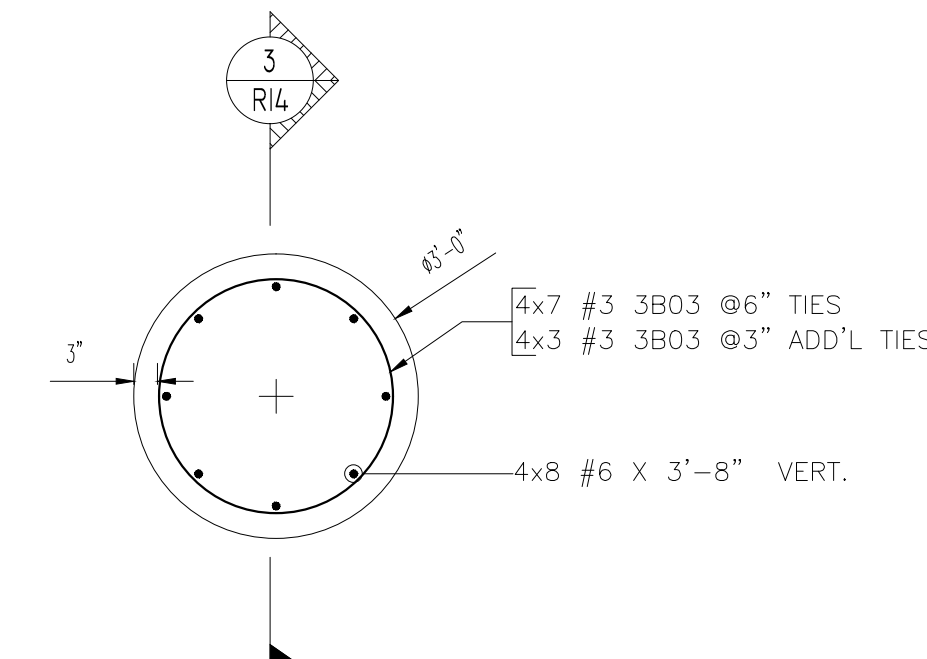
(TYPE D)
(16 LOCATION)
(ES-P01 TO ES-P12, ES-P17 TO ES-P20)
REINFORCEMENT DETAILS FOR PILE
SCALE: 1/2"=1'-0"
SOR: A/1399-02-00-03-161



(TYPE D)
(16 LOCATION)
(ES-P01 TO ES-P12, ES-P17 TO ES-P20)
REINFORCEMENT DETAILS FOR PILECAP
SCALE: 1/2"=1'-0"
SOR: A/1399-02-00-03-161

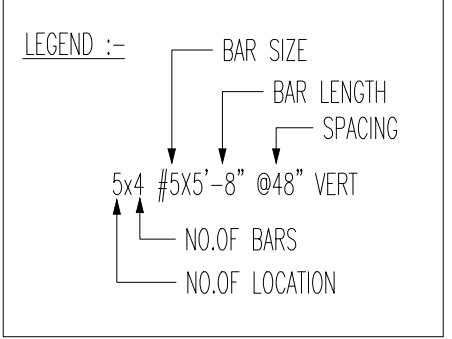


(TYPE D)
(4 LOCATION)
(CS-P01 TO CS-P04)
REINFORCEMENT DETAILS FOR PILE
SCALE: 1/2"=1'-0"
SOR: A/1399-02-00-03-161

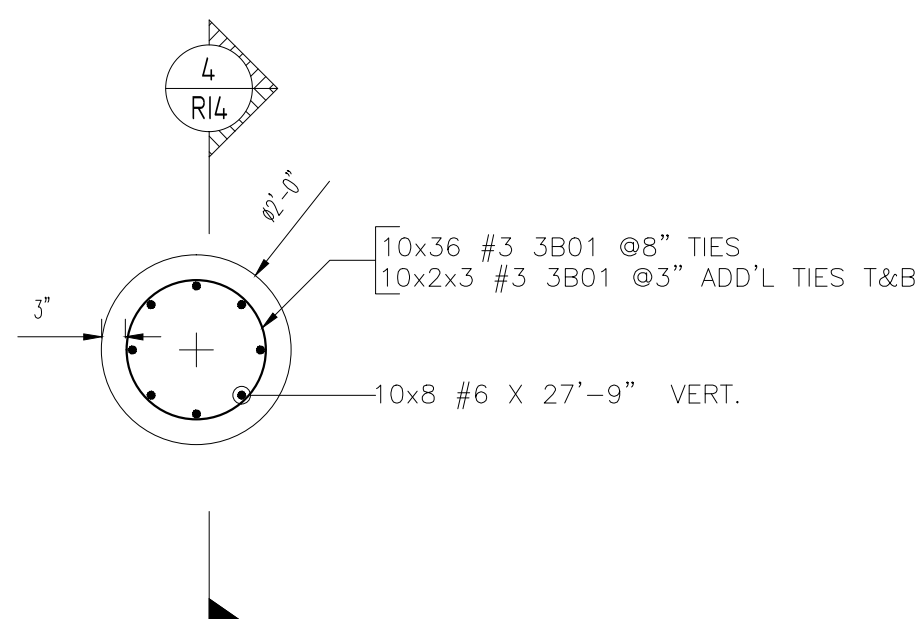


(TYPE D)
(4 LOCATION)
(CS-P01 TO CS-P04)
REINFORCEMENT DETAILS FOR PILECAP
SCALE: 1/2"=1'-0"
SOR: A/1399-02-00-03-161

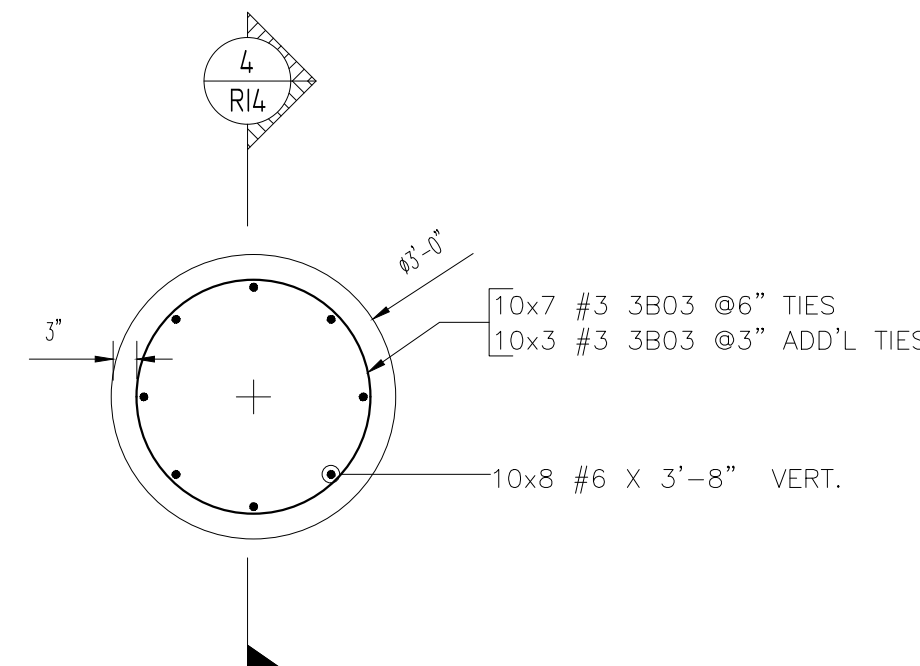
LAP SCHEDULE		
FOUNDATION		
(4000 PSI) CLASS-B		
BAR DIA	TOP	OTHERS
#3	24"	19"
#4	32"	25"
#5	40"	31"
#6	48"	37"
#7	70"	54"
#8	80"	62"



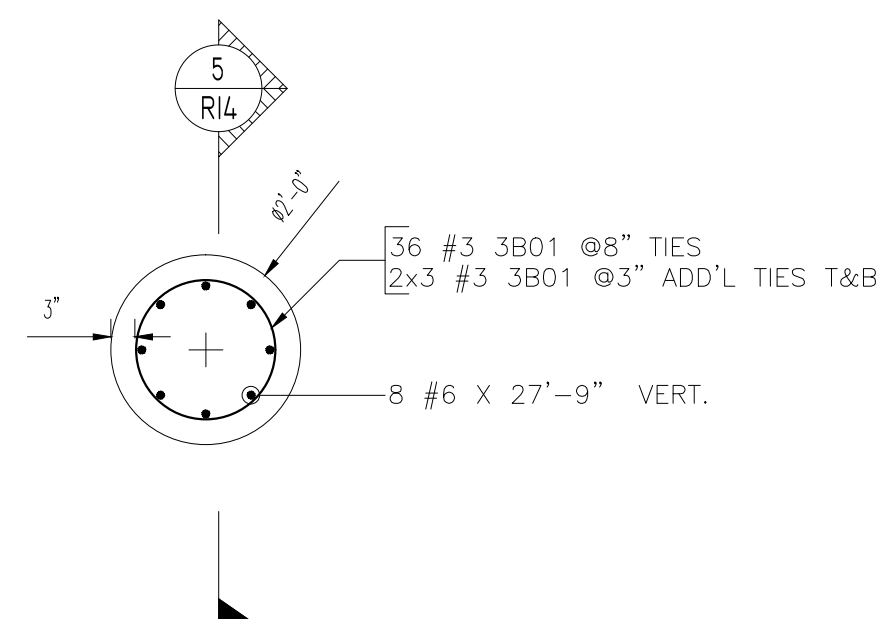
ABBREVIATIONS	
ADDITIONAL	ADDL
BOTTOM	BOT
CORNER BAR	COR
DOWEL	DWL
TOP & BOTTOM	T&B
HORIZONTAL	HOR
EACH FACE	EF
INNER FACE	IF
OUTER FACE	OF
LONG WAY BAR	LW
SHORT WAY BAR	SW
VERTICAL	VERT



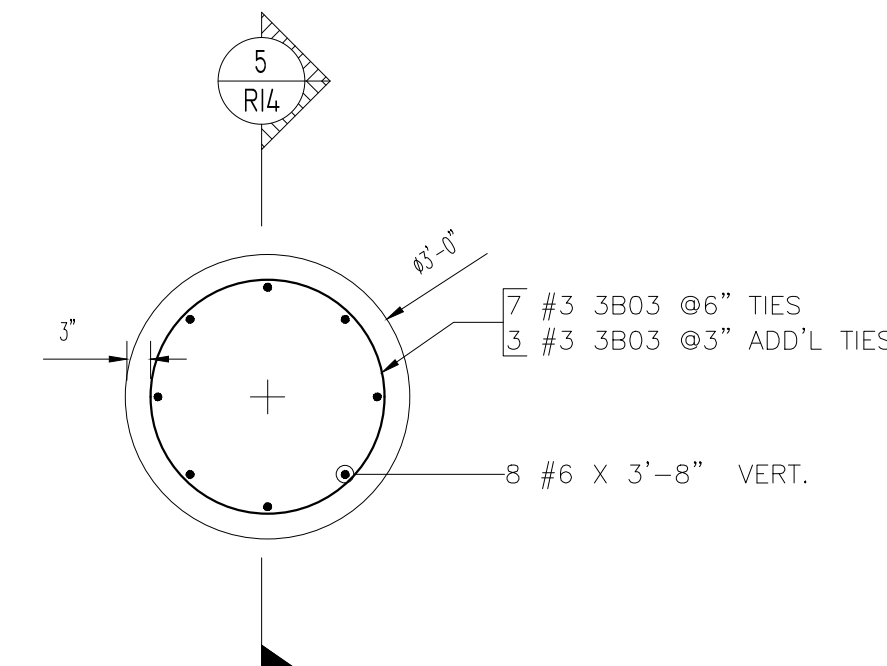
(TYPE D)
(10 LOCATION)
(CS-P05 TO CS-P14)
REINFORCEMENT DETAILS FOR PILE
SCALE: 1/2"=1'-0"
SOR: A/1399-02-00-03-161



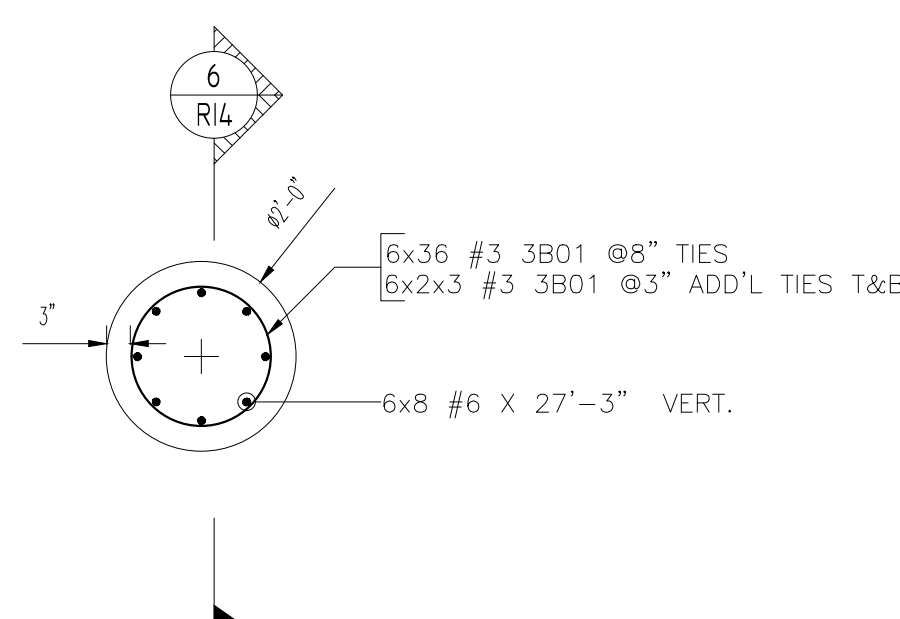
(TYPE D)
(10 LOCATION)
(CS-P05 TO CS-P14)
REINFORCEMENT DETAILS FOR PILECAP
SCALE: 1/2"=1'-0"
SOR: A/1399-02-00-03-161



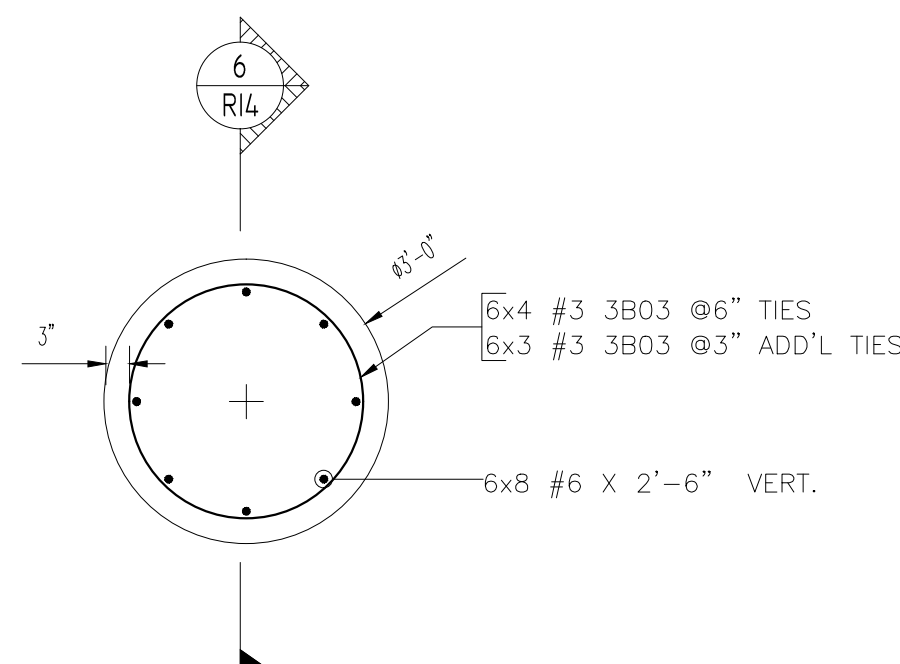
(TYPE D)
(CS-P17)
REINFORCEMENT DETAILS FOR PILE
SCALE: 1/2"=1'-0"
SOR: A/1399-02-00-03-161



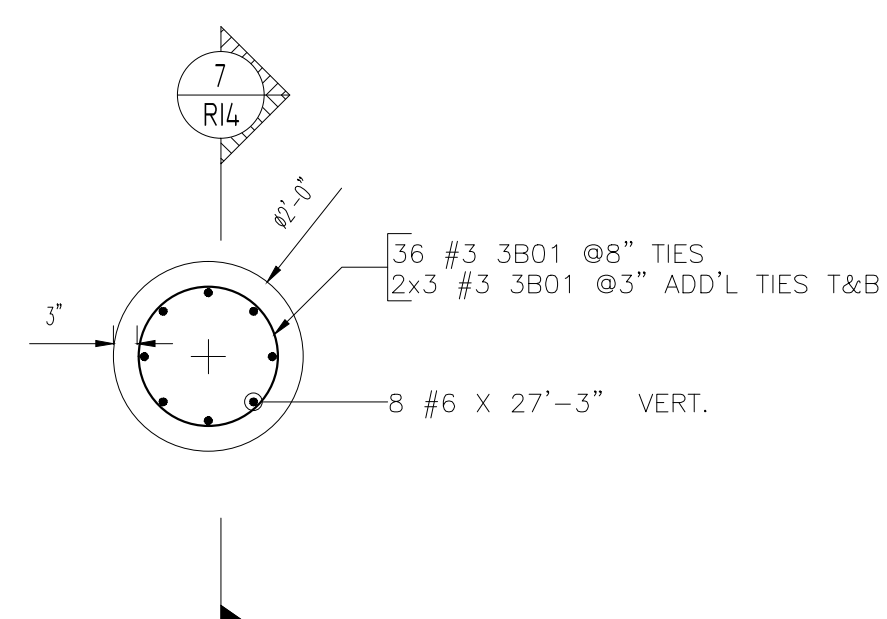
(TYPE D)
(CS-P17)
REINFORCEMENT DETAILS FOR PILECAP
SCALE: 1/2"=1'-0"
SOR: A/1399-02-00-03-161



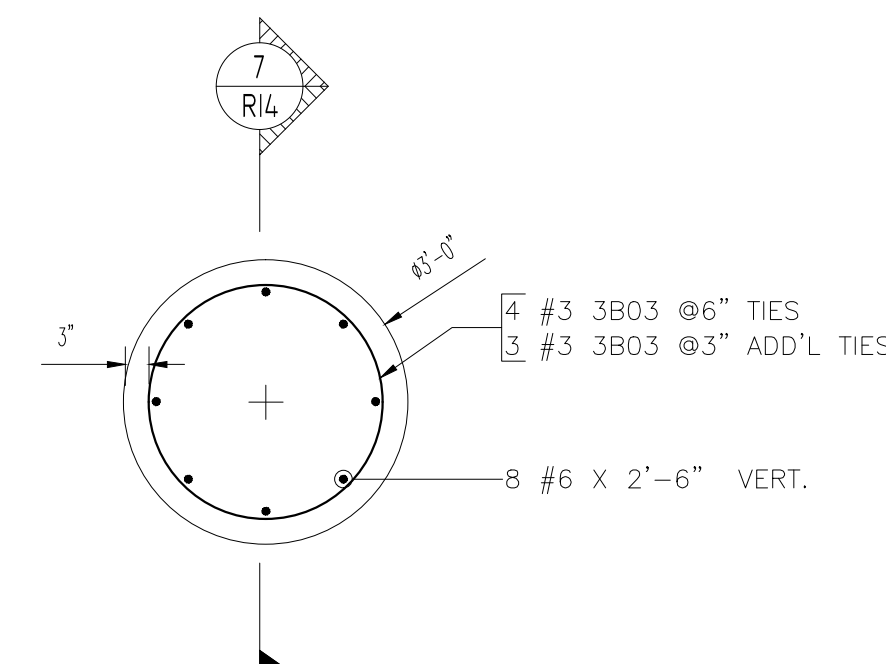
(TYPE C)
(6 LOCATION)
(ES-P13 TO ES-P16, ES-P21, ES-P22)
REINFORCEMENT DETAILS FOR PILE
SCALE: 1/2"=1'-0"
SOR: A/1399-02-00-03-161



(TYPE C)
(6 LOCATION)
(ES-P13 TO ES-P16, ES-P21, ES-P22)
REINFORCEMENT DETAILS FOR PILECAP
SCALE: 1/2"=1'-0"
SOR: A/1399-02-00-03-161



(TYPE C)
(CS-P15)
REINFORCEMENT DETAILS FOR PILE
SCALE: 1/2"=1'-0"
SOR: A/1399-02-00-03-161

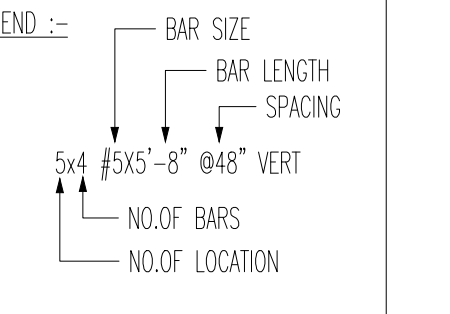


(TYPE C)
(CS-P15)
REINFORCEMENT DETAILS FOR PILECAP
SCALE: 1/2"=1'-0"
SOR: A/1399-02-00-03-161

SAMPLE

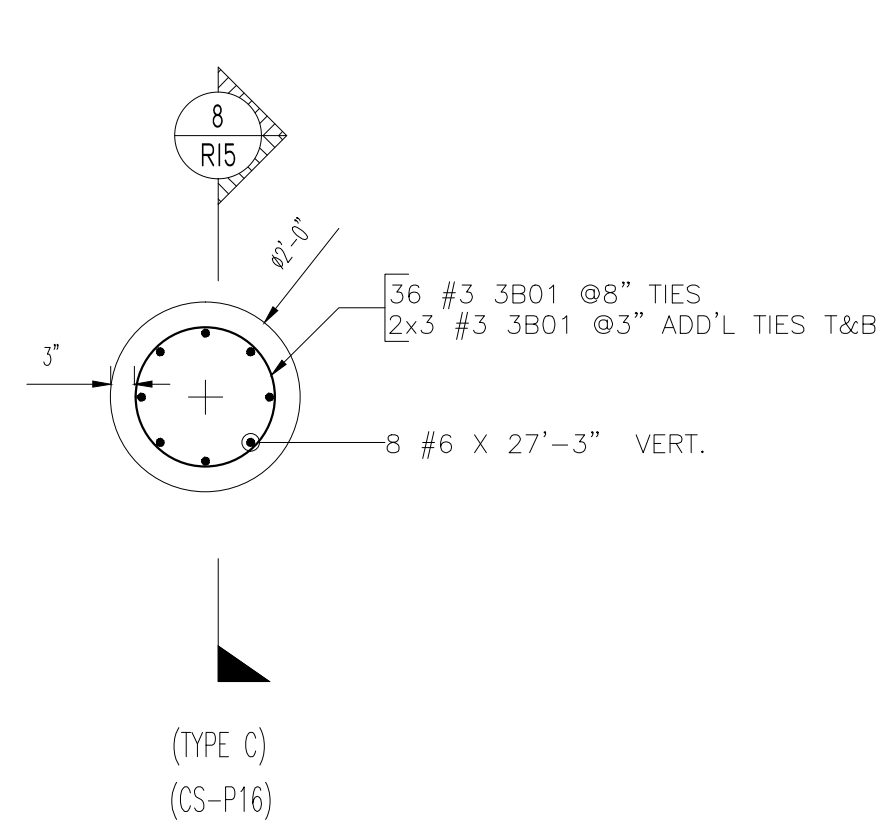
LAP SCHEDULE

FOUNDATION		
(4000 PSI) CLASS-B		
BAR DIA	TOP	OTHERS
#3	24"	19"
#4	32"	25"
#5	40"	31"
#6	48"	37"
#7	70"	54"
#8	80"	62"



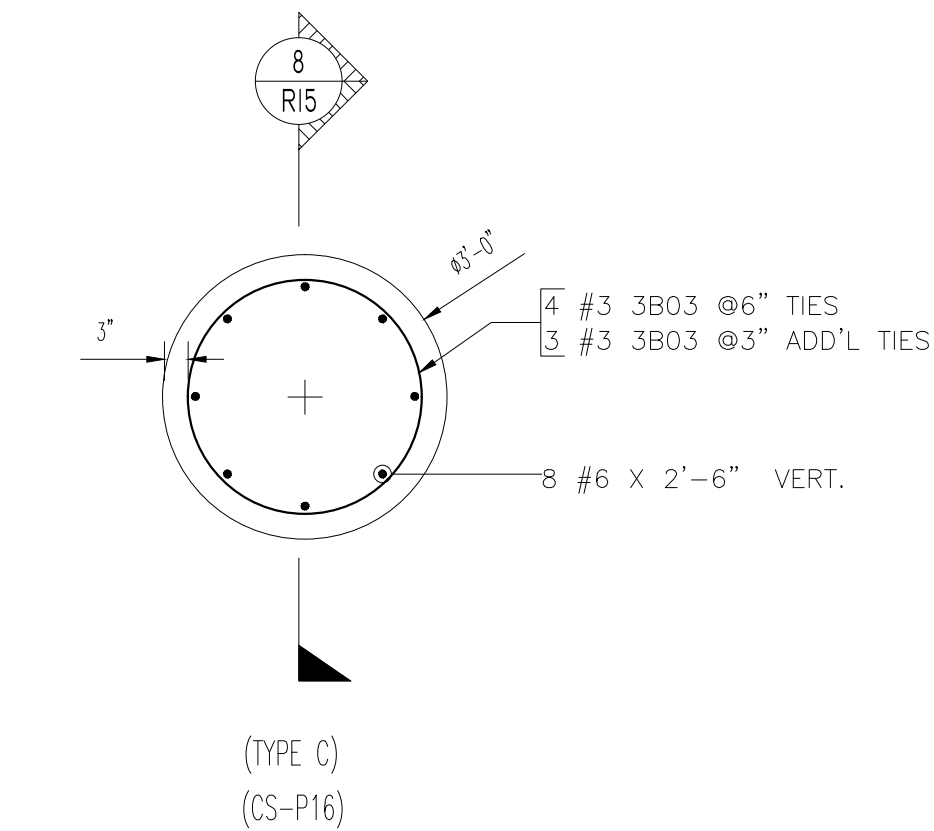
ABBREVIATIONS

ADDITIONAL	ADDL
BOTTOM	BOT
CORNER BAR	COR
DOWEL	DWL
TOP & BOTTOM	T&B
HORIZONTAL	HOR
EACH FACE	EF
INNER FACE	IF
OUTER FACE	OF
LONG WAY BAR	LW
SHORT WAY BAR	SW
VERTICAL	VERT



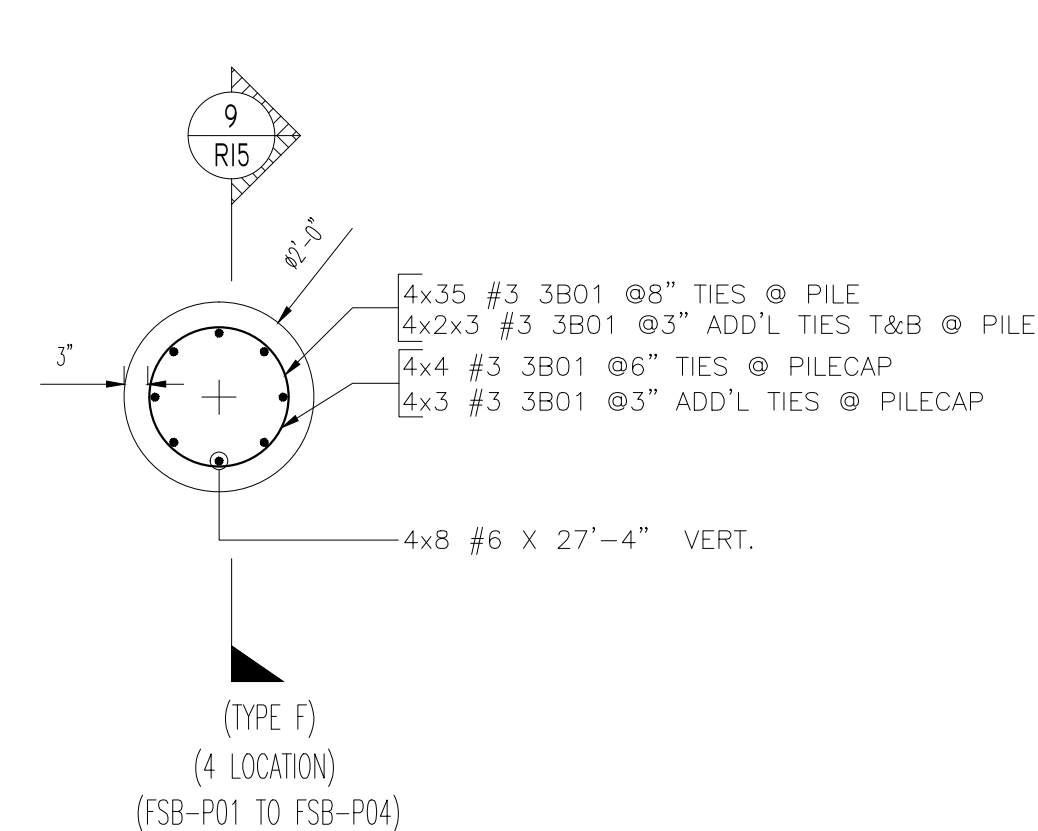
REINFORCEMENT DETAILS FOR PILE

SCALE: 1/2"=1'-0"
SDR: A/1399-02-00-03-161



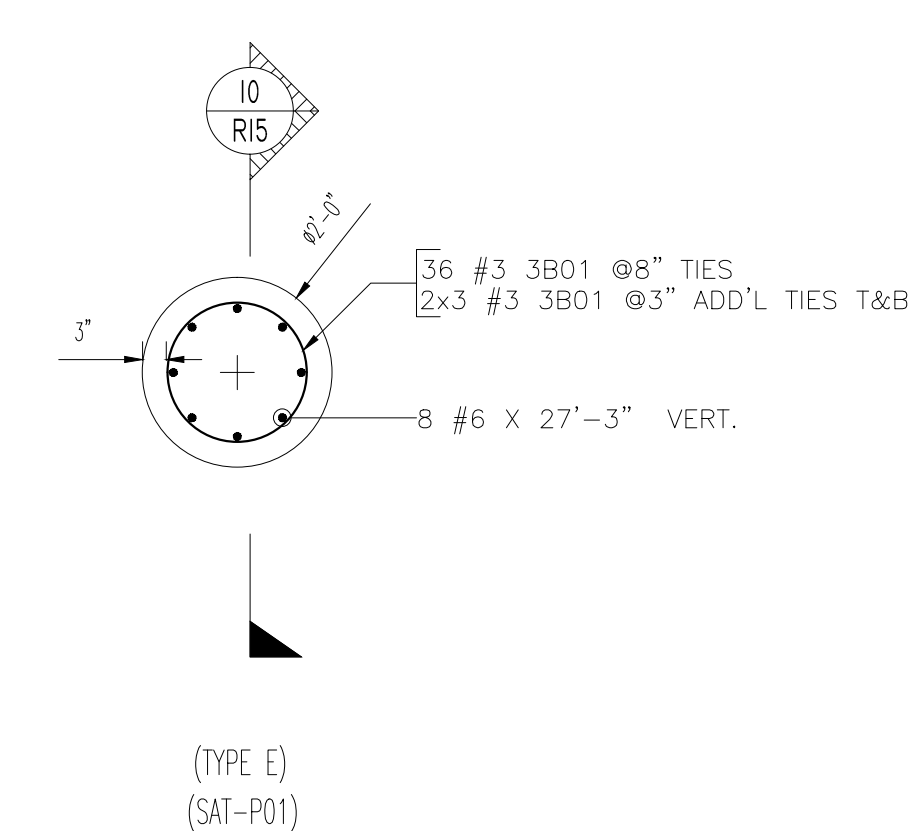
REINFORCEMENT DETAILS FOR PILECAP

SCALE: 1/2"=1'-0"
SDR: A/1399-02-00-03-161



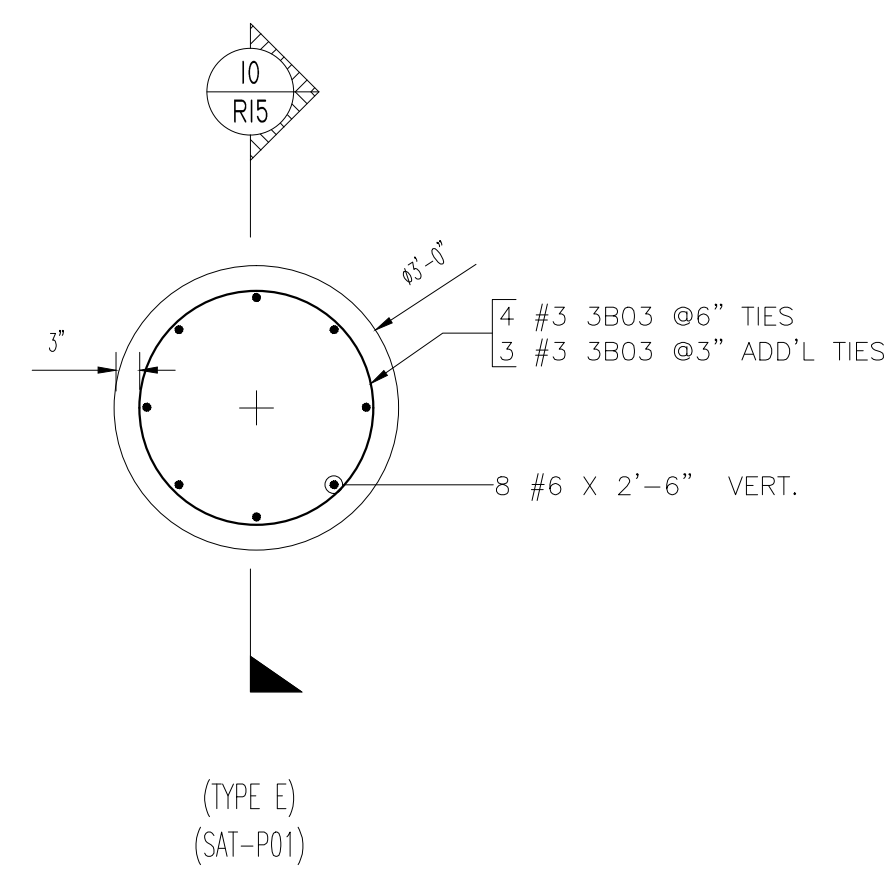
REINFORCEMENT DETAILS FOR PILE & PILECAP

SCALE: 1/2"=1'-0"
SDR: A/1399-02-00-03-161



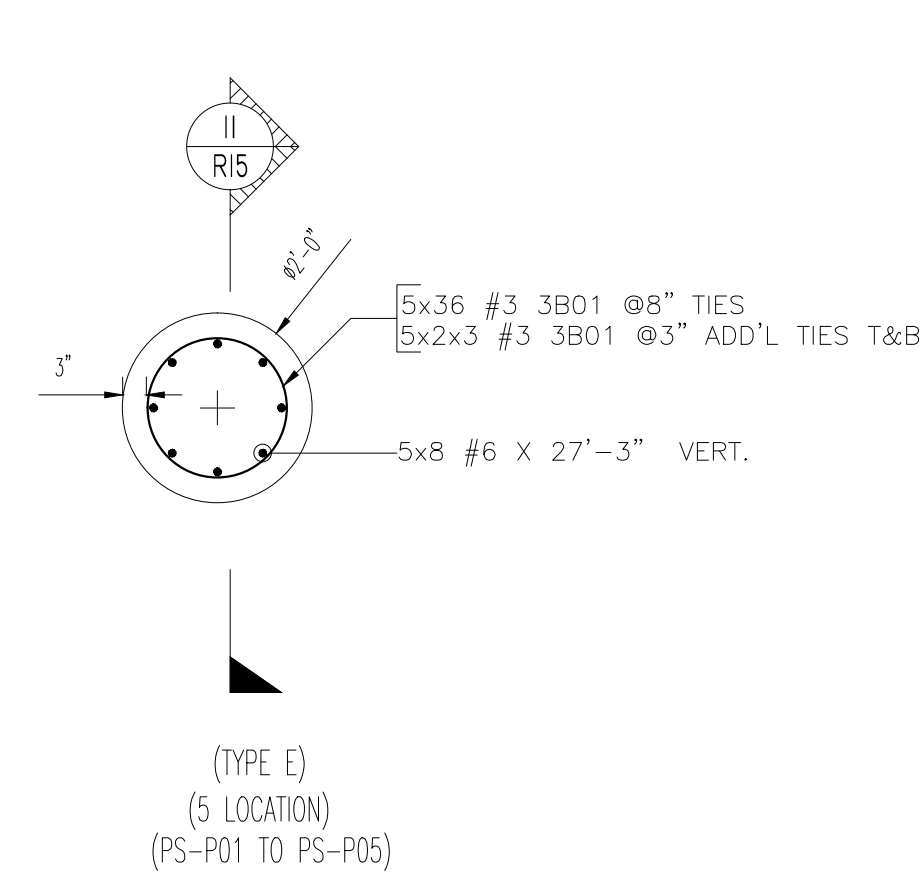
REINFORCEMENT DETAILS FOR PILE

SCALE: 1/2"=1'-0"
SDR: A/1399-02-00-03-161



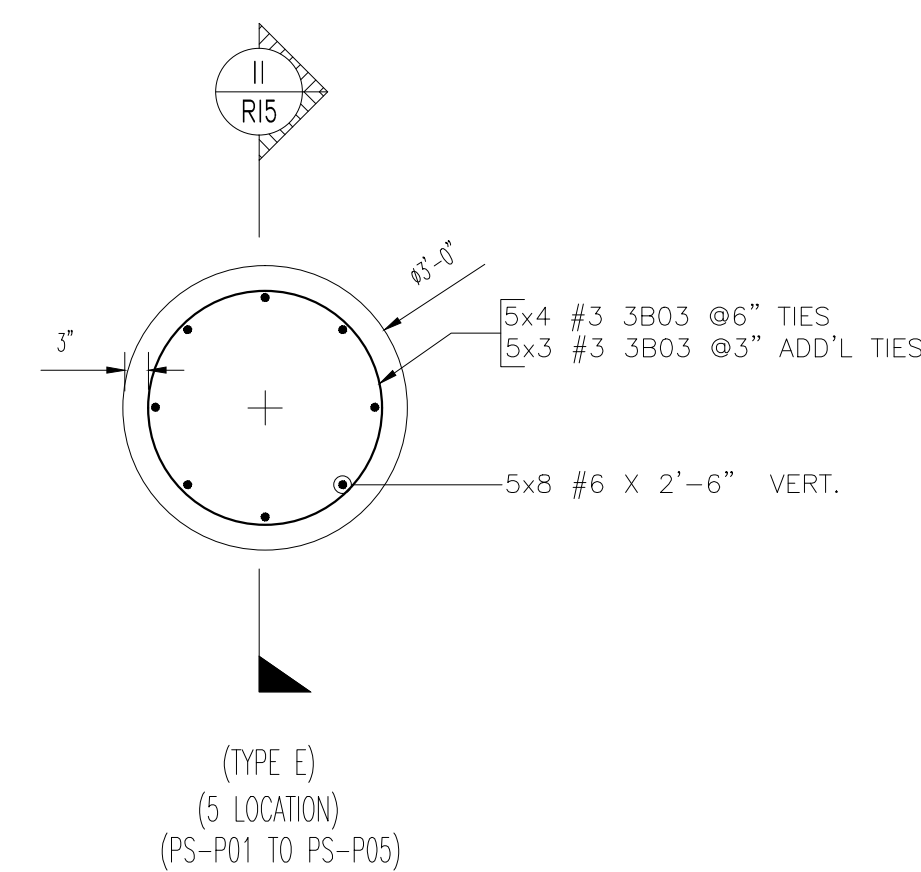
REINFORCEMENT DETAILS FOR PILECAP

SCALE: 1/2"=1'-0"
SDR: A/1399-02-00-03-161



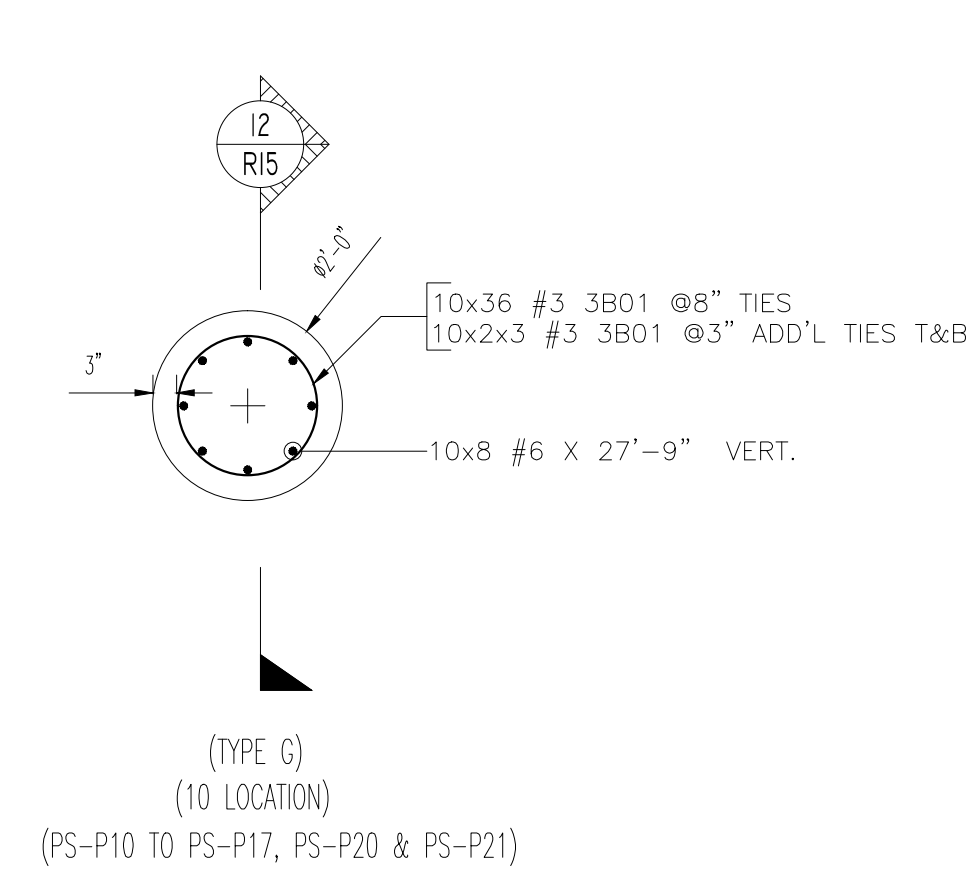
REINFORCEMENT DETAILS FOR PILE

SCALE: 1/2"=1'-0"
SDR: E/1399-02-00-03-161



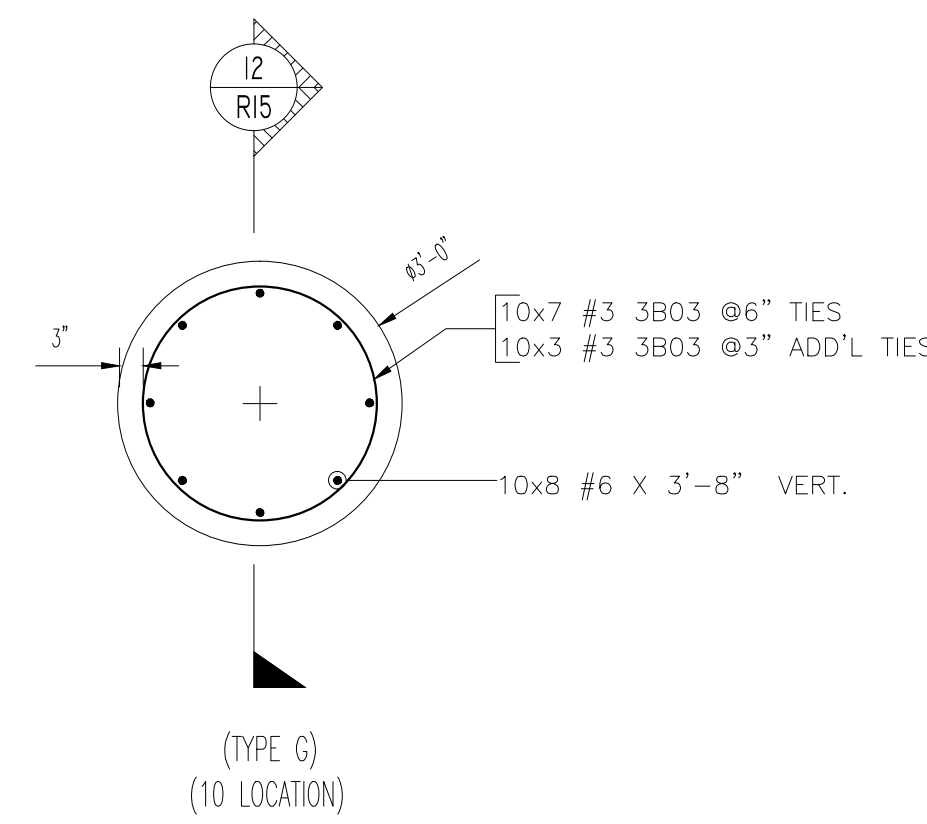
REINFORCEMENT DETAILS FOR PILECAP

SCALE: 1/2"=1'-0"
SDR: E/1399-02-00-03-161



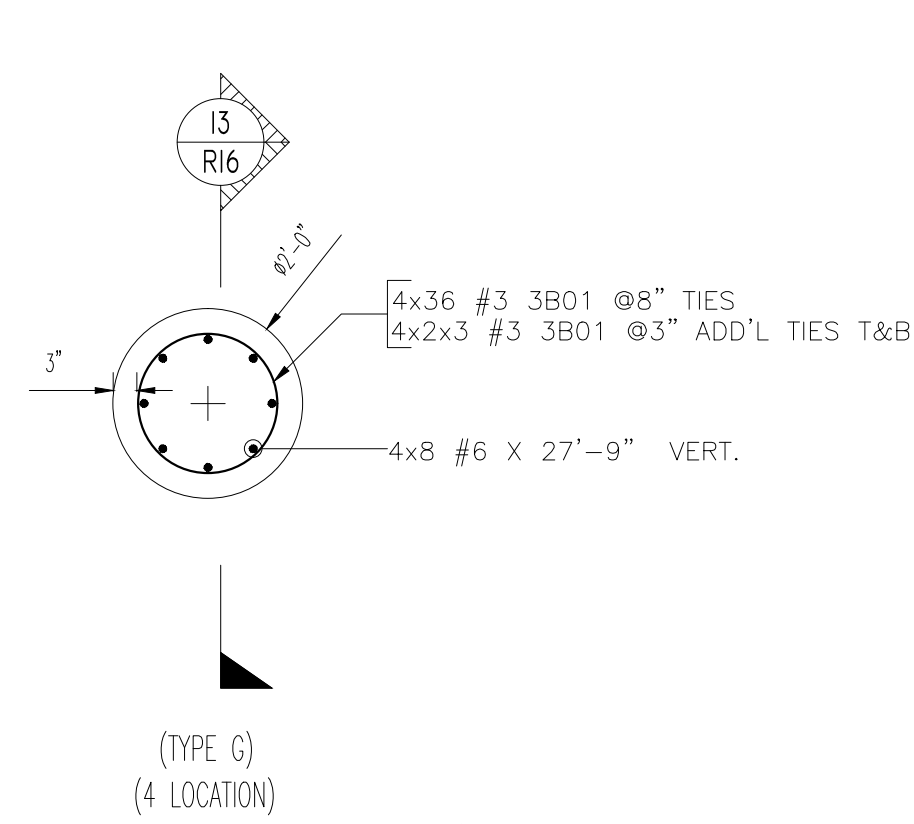
REINFORCEMENT DETAILS FOR PILE

SCALE: 1/2"=1'-0"
SDR: A/1399-02-00-03-162



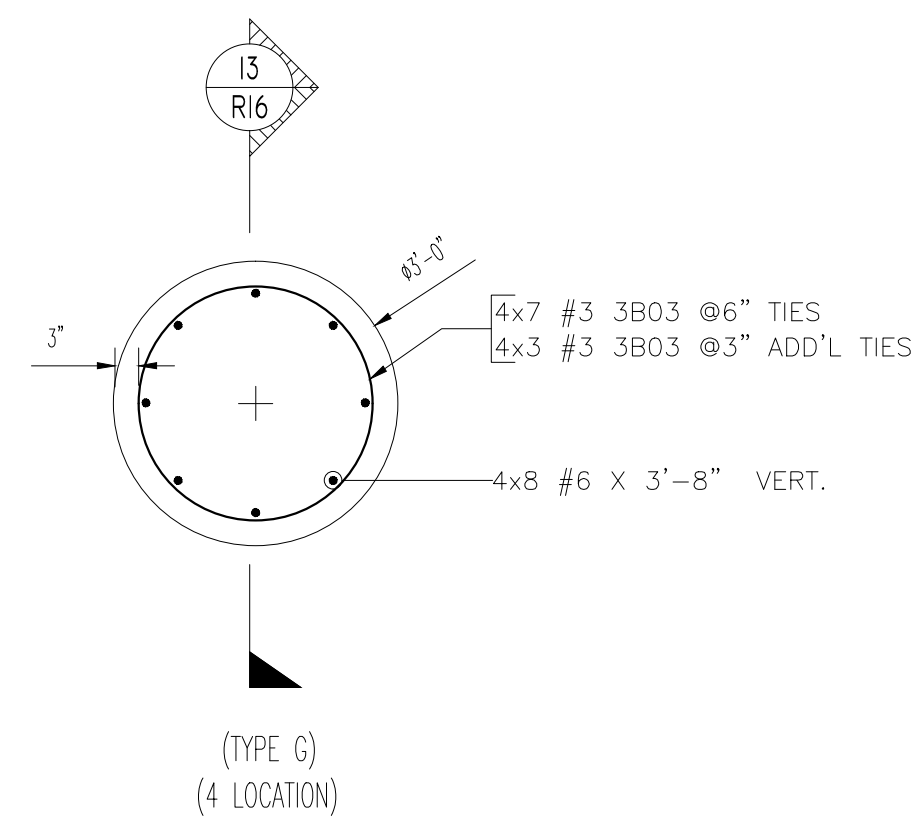
REINFORCEMENT DETAILS FOR PILECAP

SCALE: 1/2"=1'-0"
SDR: A/1399-02-00-03-162



REINFORCEMENT DETAILS FOR PILE

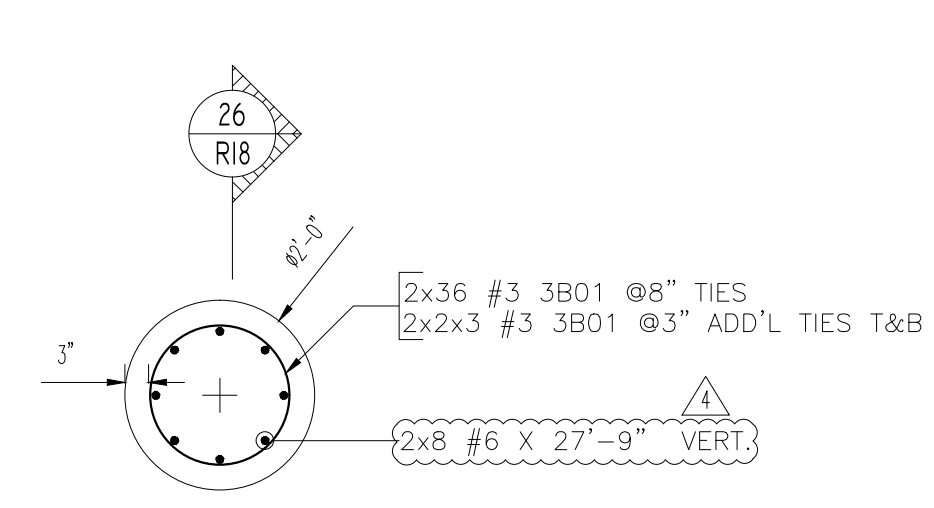
SCALE: 1/2"=1'-0"
SDR: A/1399-02-00-03-162



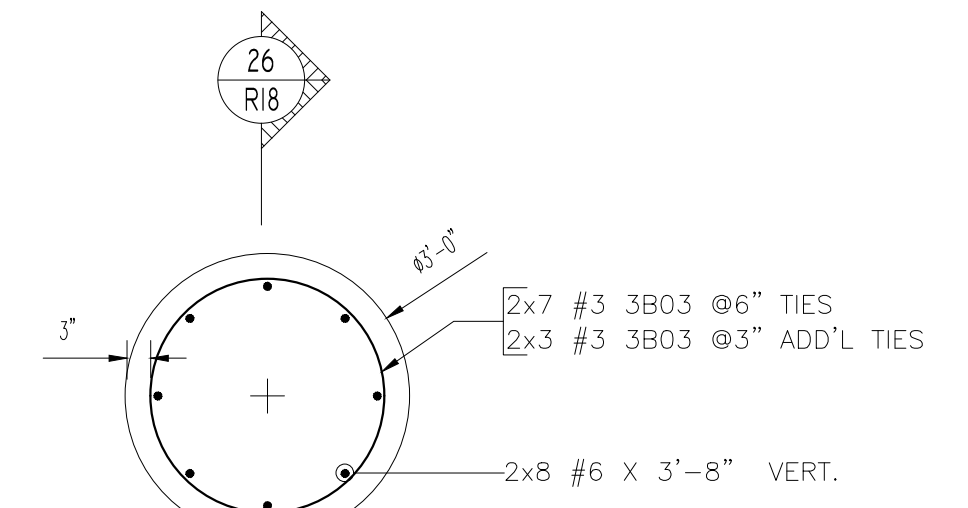
REINFORCEMENT DETAILS FOR PILECAP

SCALE: 1/2"=1'-0"
SDR: A/1399-02-00-03-162

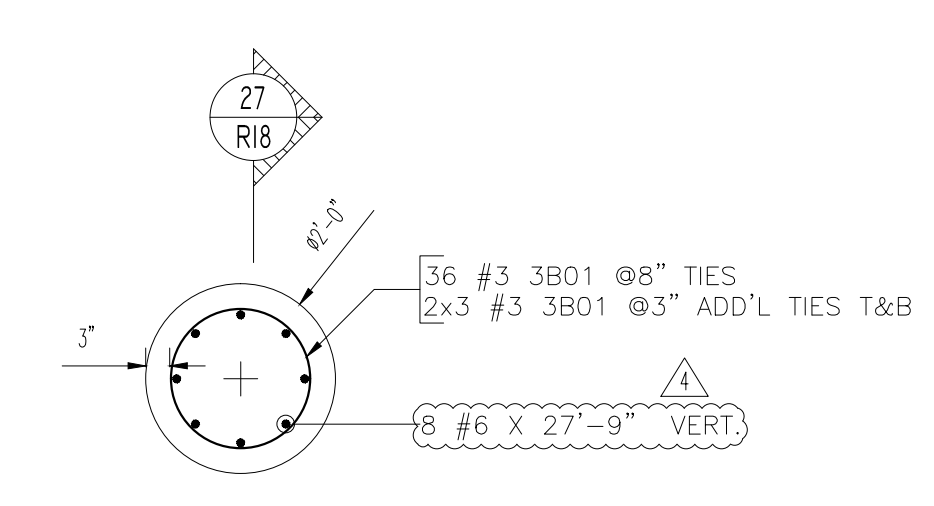
SAMPLE



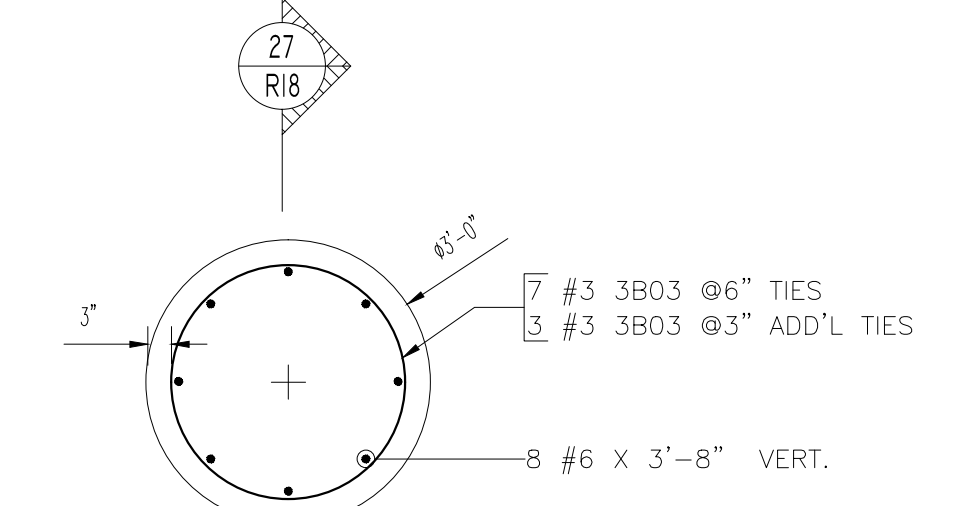
(TYPE L)
(2 LOCATION)
(LP-P01 & LP-P02)
REINFORCEMENT DETAILS FOR PILE
SCALE: 1/2"=1'-0"
SDR: A/1399-02-00-03-162



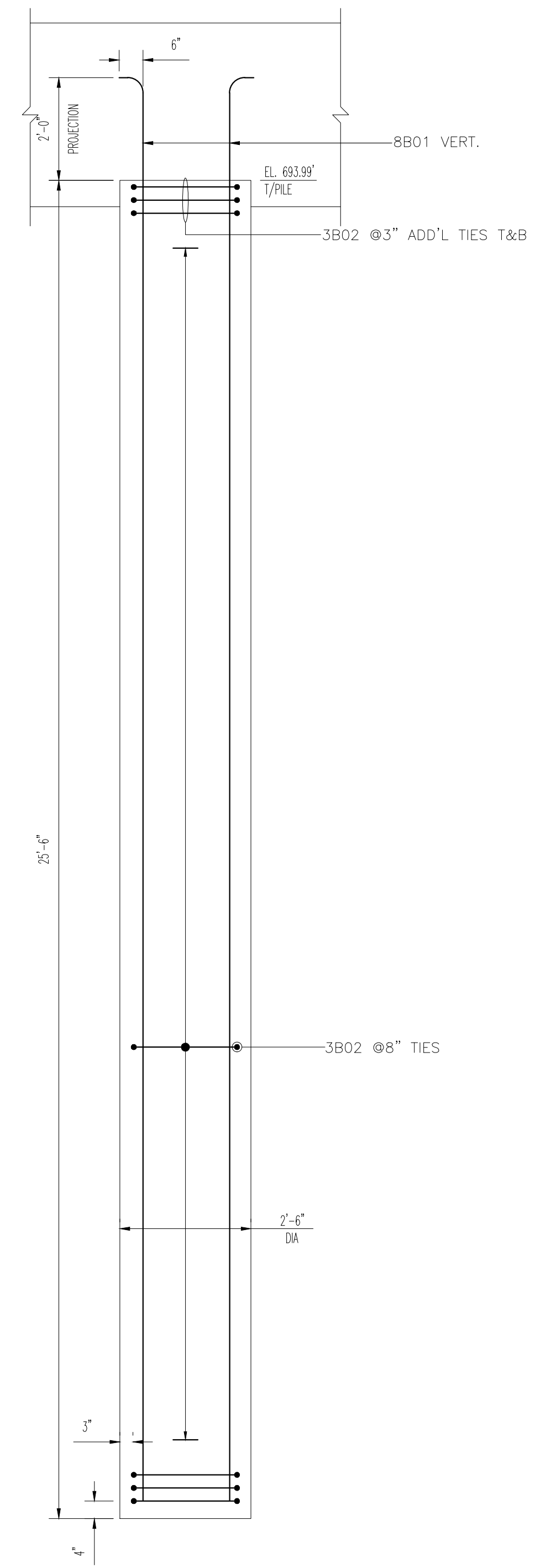
(TYPE L)
(2 LOCATION)
(LP-P01 & LP-P02)
REINFORCEMENT DETAILS FOR PILECAP
SCALE: 1/2"=1'-0"
SDR: A/1399-02-00-03-162



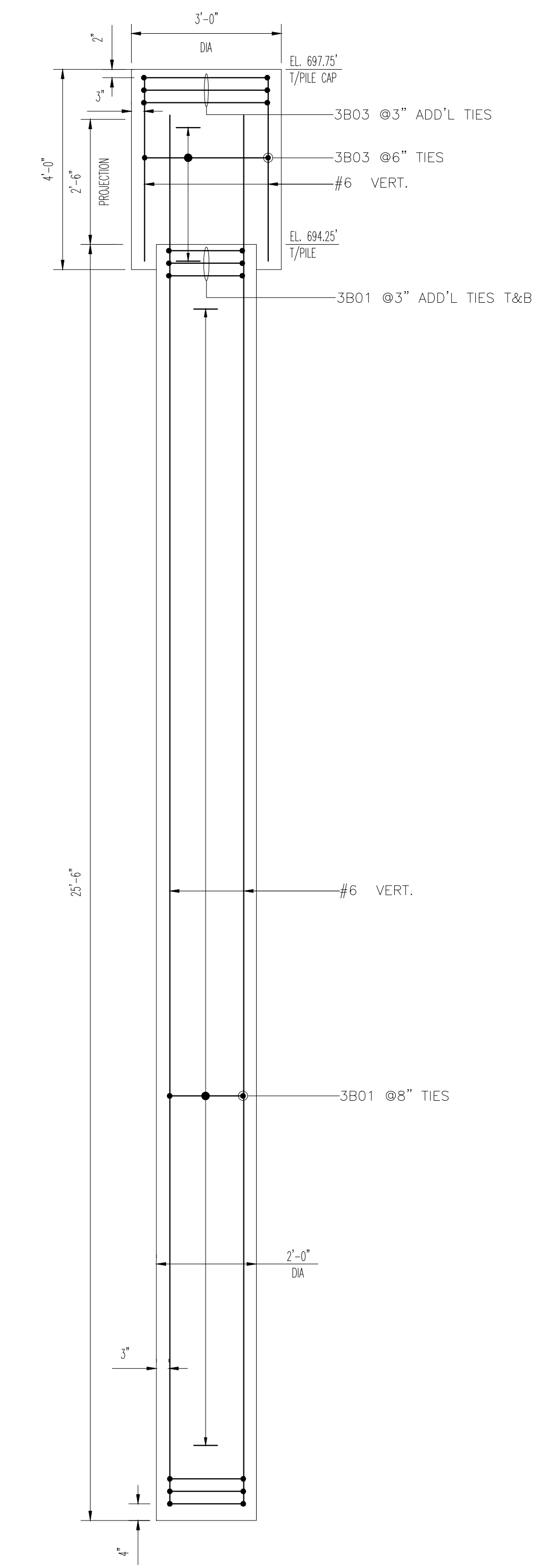
(TYPE L)
(LP-P03)
REINFORCEMENT DETAILS FOR PILE
SCALE: 1/2"=1'-0"
SDR: A/1399-02-00-03-162



(TYPE L)
(LP-P03)
REINFORCEMENT DETAILS FOR PILECAP
SCALE: 1/2"=1'-0"
SDR: A/1399-02-00-03-162

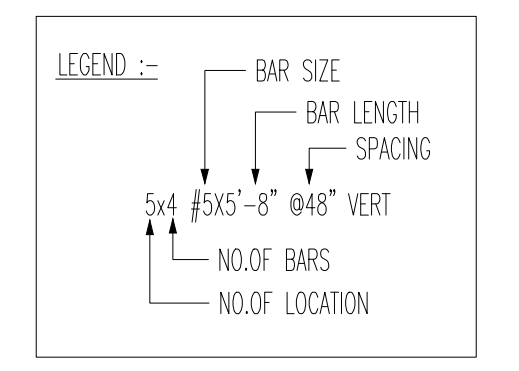


SECTION 1
SCALE: 1/2"=1'-0"
SDR: 1399-02-00-03-161



SECTION 2
SCALE: 1/2"=1'-0"
SDR: 1399-02-00-03-161

LAP SCHEDULE		
FOUNDATION		
(4000 PSI) CLASS-B		
BAR DIA	TOP	OTHERS
#3	24"	19"
#4	32"	25"
#5	40"	31"
#6	48"	37"
#7	70"	54"
#8	80"	62"

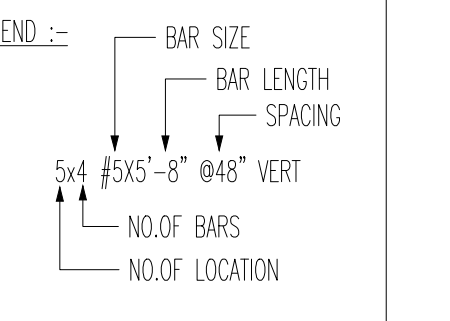


ABBREVIATIONS	
ADDITIONAL	ADDL
BOTTOM	BOT
CORNER BAR	COR
DOWEL	DWL
TOP & BOTTOM	T&B
HORIZONTAL	HOR
EACH FACE	EF
INNER FACE	IF
OUTER FACE	OF
LONG WAY BAR	LW
SHORT WAY BAR	SW
VERTICAL	VERT

SAMPLE

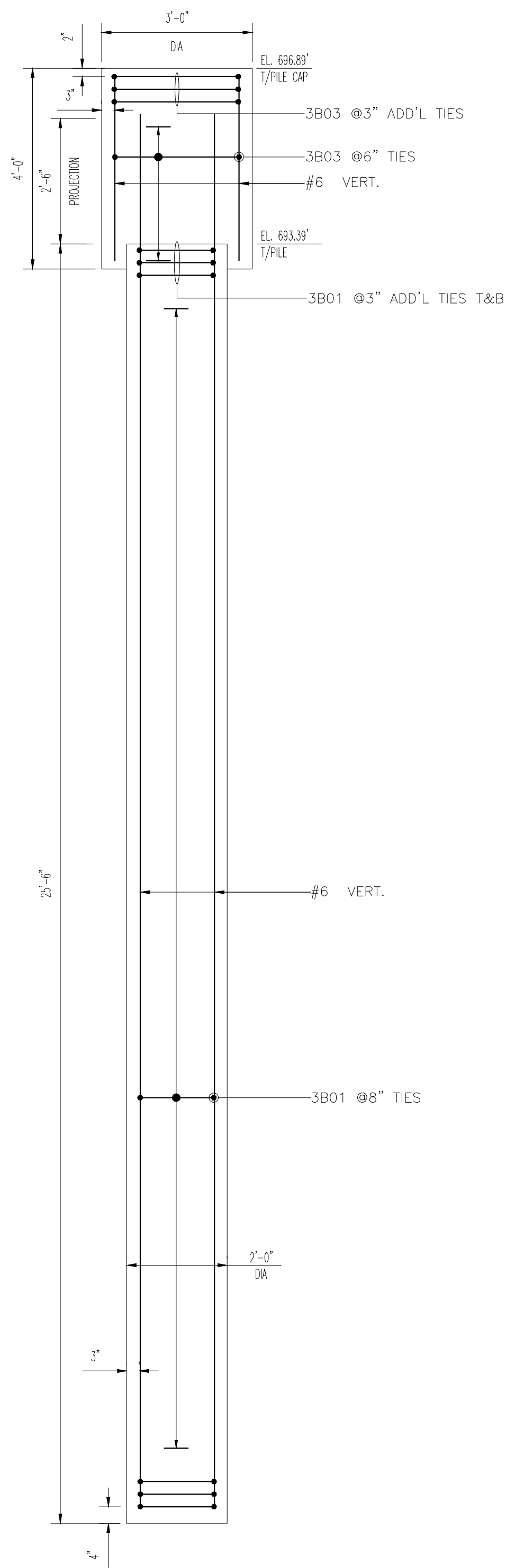
LAP SCHEDULE

FOUNDATION		
(4000 PSI) CLASS-B		
BAR DIA	TOP	OTHERS
#3	24"	19"
#4	32"	25"
#5	40"	31"
#6	48"	37"
#7	70"	54"
#8	80"	62"

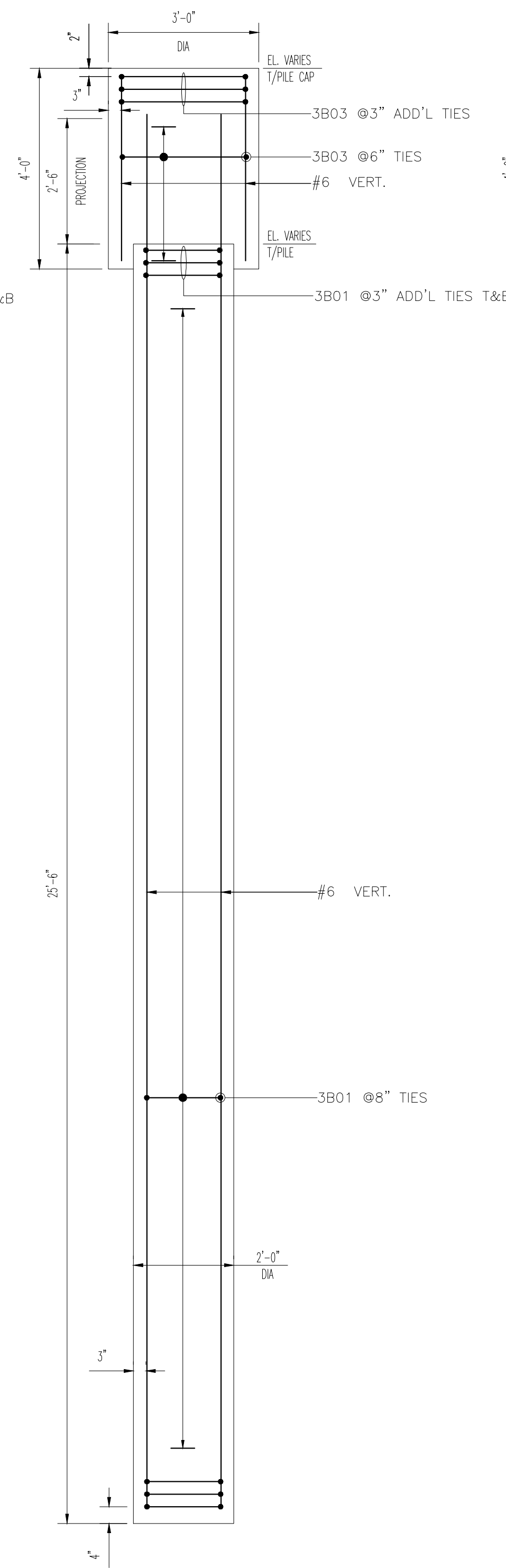


ABBREVIATIONS

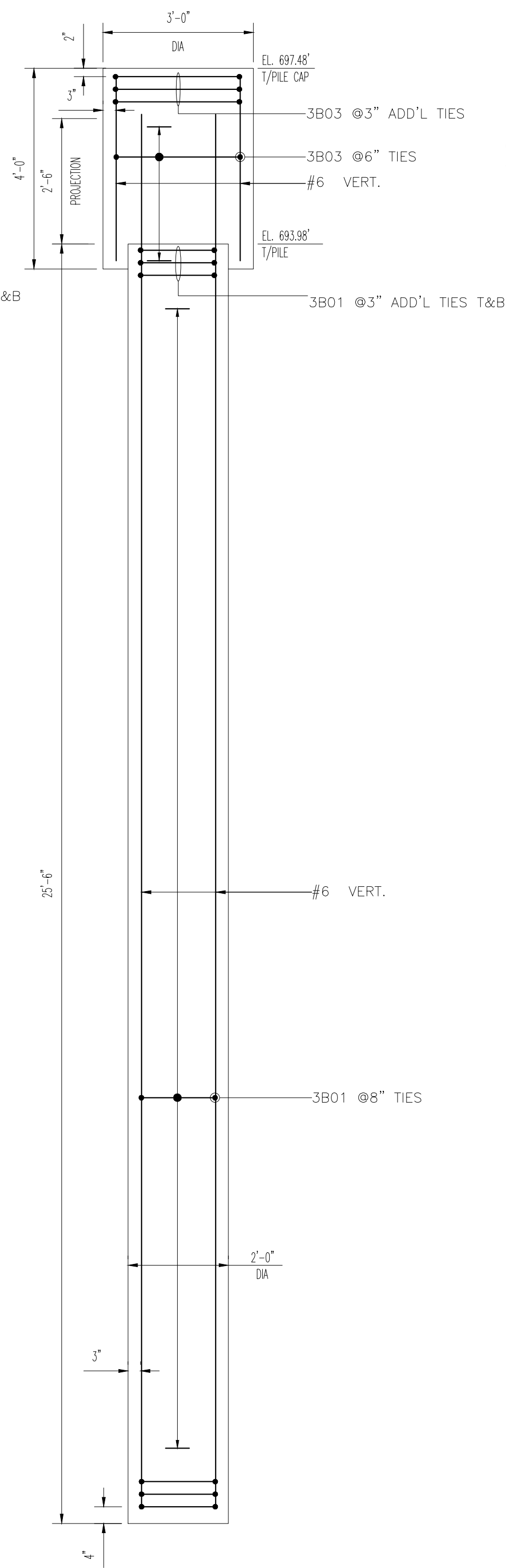
ADDITIONAL	ADDL
BOTTOM	BOT
CORNER BAR	COR
DOWEL	DWL
TOP & BOTTOM	T&B
HORIZONTAL	HOR
EACH FACE	EF
INNER FACE	IF
OUTER FACE	OF
LONG WAY BAR	LW
SHORT WAY BAR	SW
VERTICAL	VERT



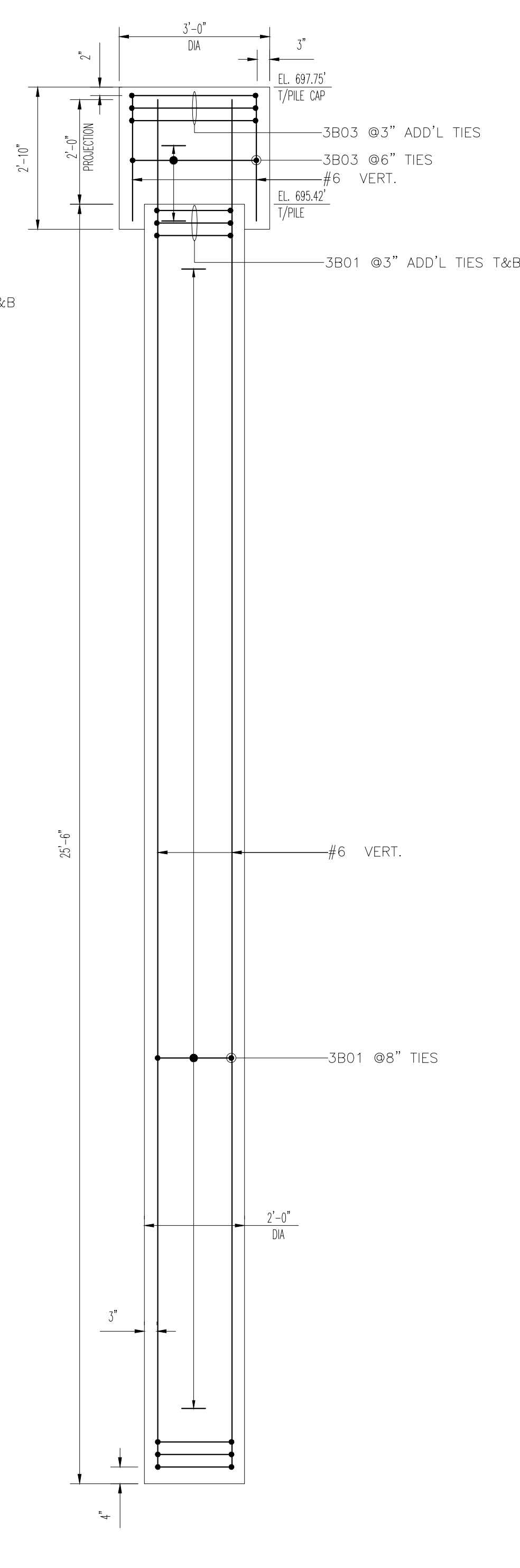
SECTION 3
 SCALE: 1/2"=1'-0"
 SUR: 1399-02-00-03-161



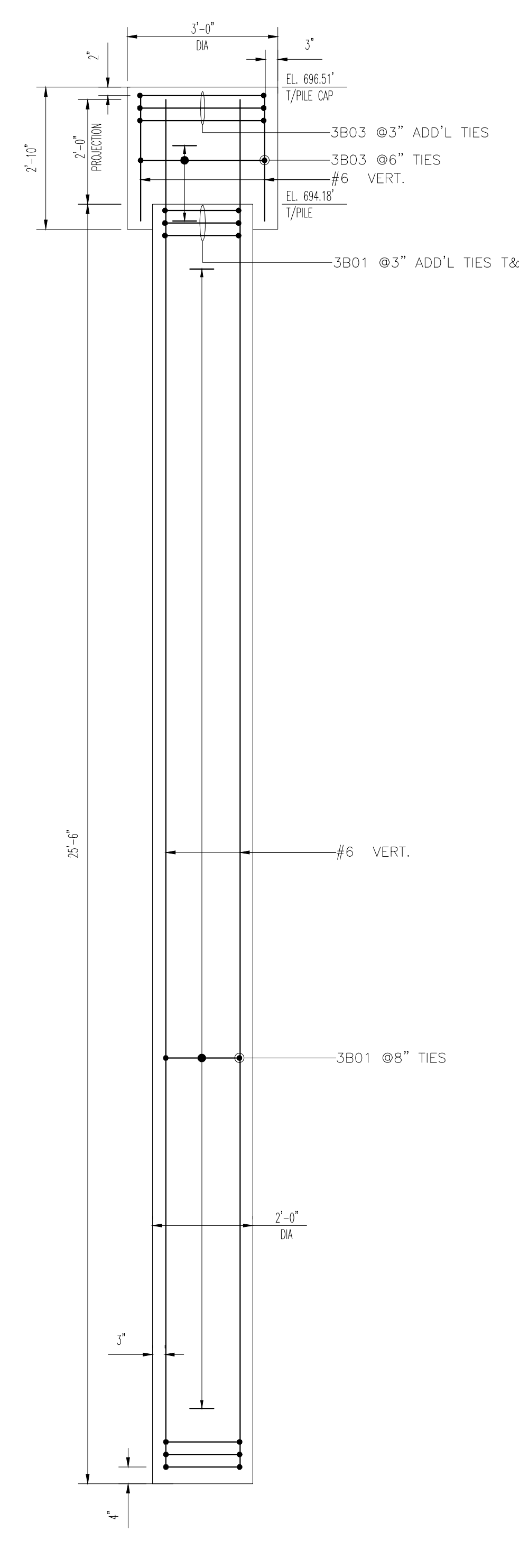
SECTION 4
 SCALE: 1/2"=1'-0"
 SUR: 1399-02-00-03-161



SECTION 5
 SCALE: 1/2"=1'-0"
 SUR: 1399-02-00-03-161



SECTION 6
 SCALE: 1/2"=1'-0"
 SUR: 1399-02-00-03-161



SECTION 7
 SCALE: 1/2"=1'-0"
 SUR: 1399-02-00-03-161

SAMPLE

LAP SCHEDULE

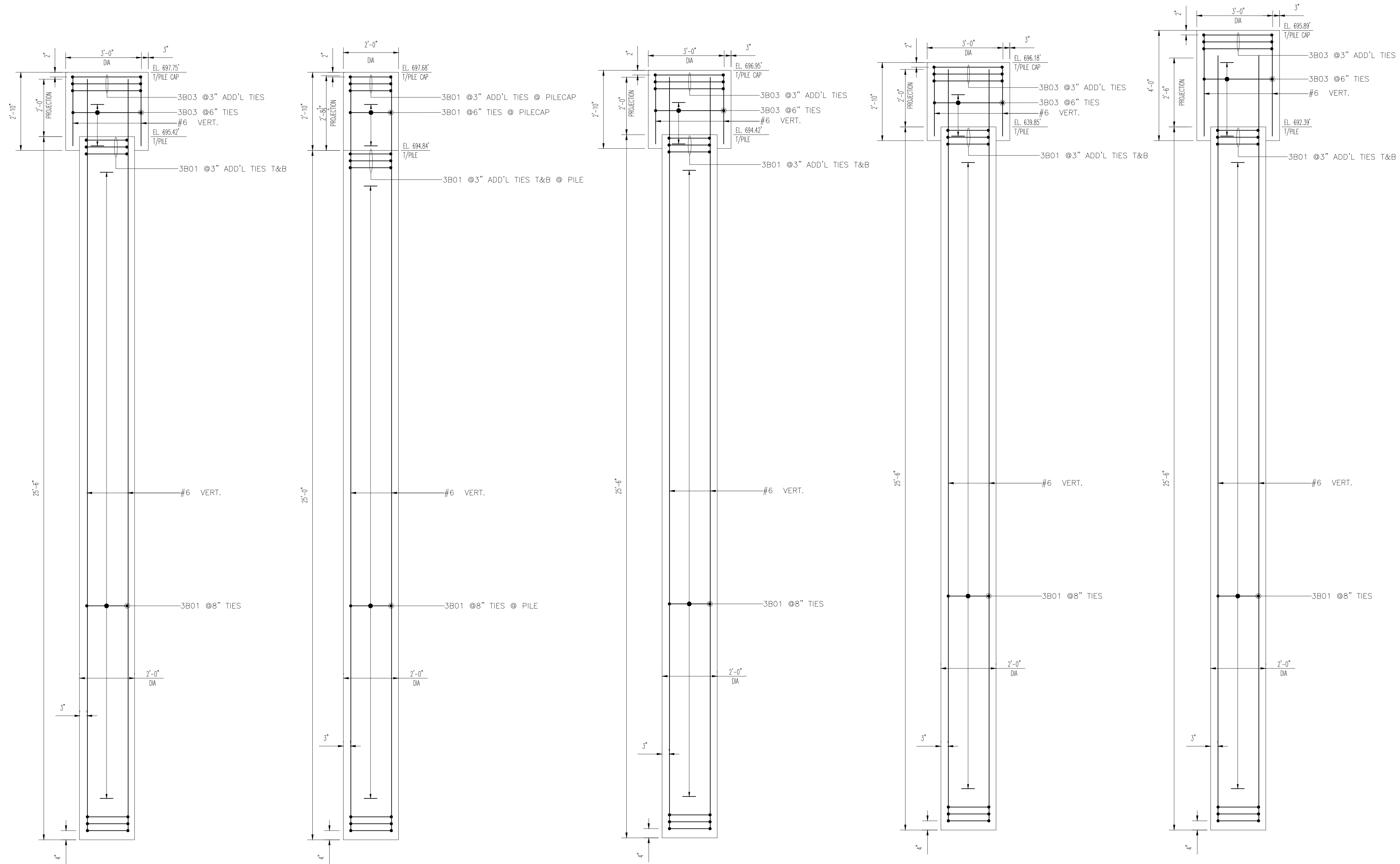
FOUNDATION		
(4000 PSI) CLASS-B		
BAR DIA	TOP	OTHERS
#3	24"	19"
#4	32"	25"
#5	40"	31"
#6	48"	37"
#7	70"	54"
#8	80"	62"

LEGEND :-

	BAR SIZE
	BAR LENGTH
	SPACING
	NO. OF BARS
	NO. OF LOCATION

ABBREVIATIONS

ADDITIONAL	ADDL
BOTTOM	BOT
CORNER BAR	COR
DOWEL	DWL
TOP & BOTTOM	T&B
HORIZONTAL	HOR
EACH FACE	EF
INNER FACE	IF
OUTER FACE	OF
LONG WAY BAR	LW
SHORT WAY BAR	SW
VERTICAL	VERT



SECTION 8
SCALE: 1/2"=1'-0"
SQR: 1399-02-00-03-161

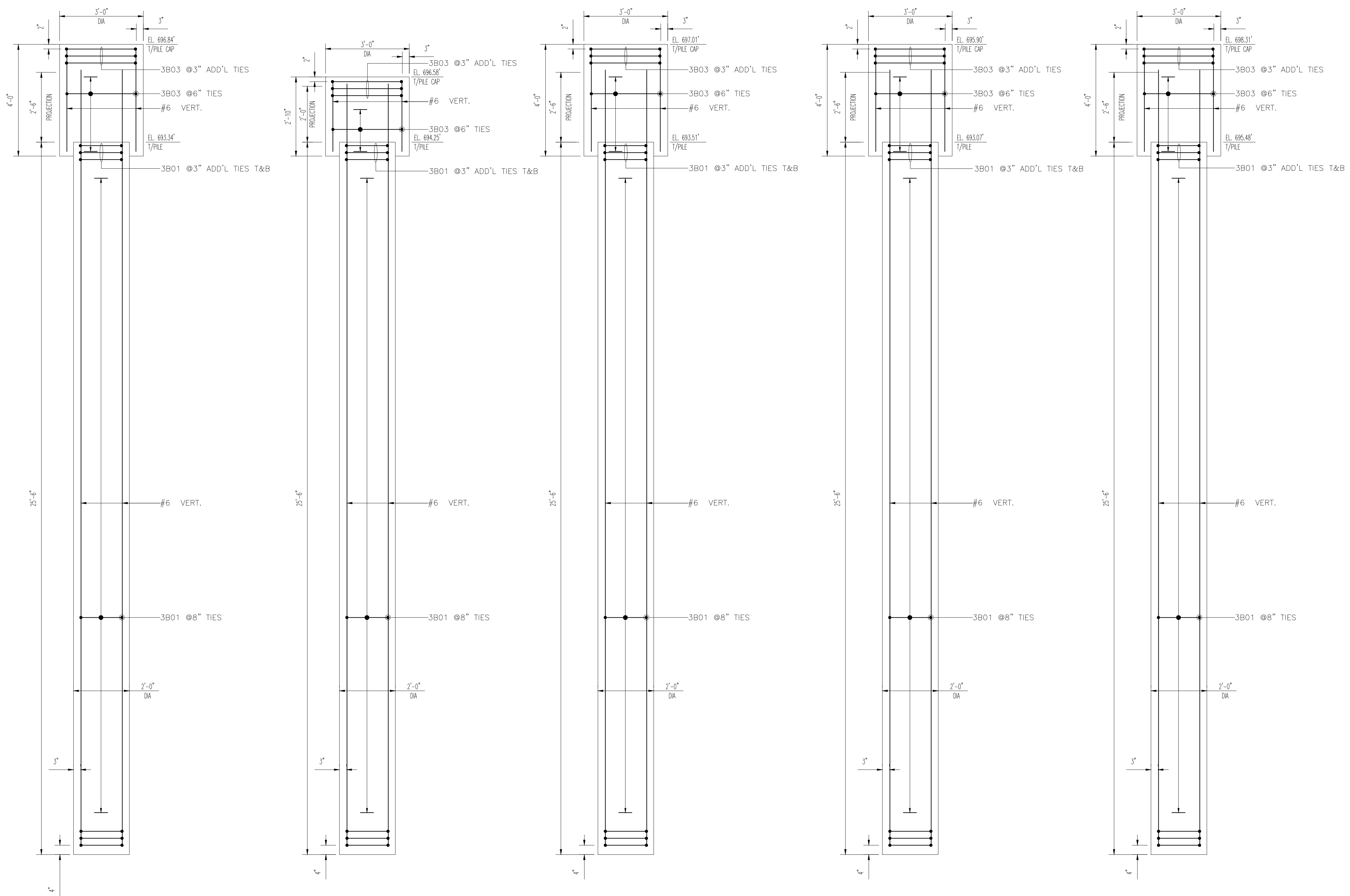
SECTION 9
SCALE: 1/2"=1'-0"
SQR: 1399-02-00-03-161

SECTION 10
SCALE: 1/2"=1'-0"
SQR: 1399-02-00-03-161

SECTION 11
SCALE: 1/2"=1'-0"
SQR: 1399-02-00-03-161

SECTION 12
SCALE: 1/2"=1'-0"
SQR: 1399-02-00-03-162

SAMPLE



SECTION 23
SCALE: 1/2"=1'-0"
SOR: 1399-02-00-03-161

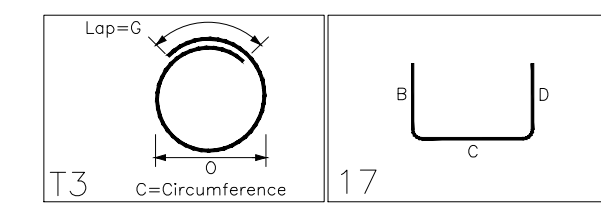
SECTION 24
SCALE: 1/2"=1'-0"
SOR: 1399-02-00-03-161

SECTION 25
SCALE: 1/2"=1'-0"
SOR: 1399-02-00-03-162

SECTION 26
SCALE: 1/2"=1'-0"
SOR: 1399-02-00-03-161

SECTION 27
SCALE: 1/2"=1'-0"
SOR: 1399-02-00-03-161

Release Number: R07 TO R18				BAR LIST													
Bar Mark	Qty	Size	Total Length	Type	X'	Y'	Z'	X"	Y"	Z"	X'''	Y'''	Z'''	X''''	Y''''	Z''''	
3B01	4664	#3	6'-8.34'	T3													1'-4"
3B02	1512	#3	6'-3.34'	T3													2'-0"
3B03	904	#3	9'-10.34'	T3													2'-4"
3B04	40	#3	11'-11.34'	T3													3'-2"
8801	432	#8	27'-8"	T7				0'-6"									27'-2"

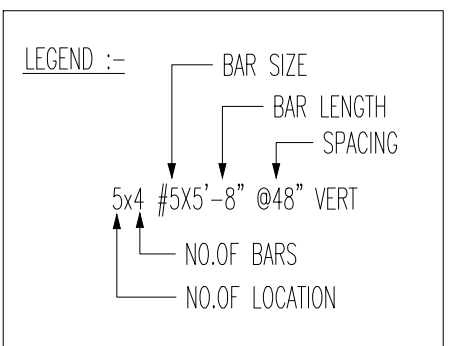


ALL BARS IN THIS DRAWING
ASTM A615 GRADE 60
BLACK UNCOATED

NOTES: 1) 3" Cover for bottom & sides
2) 2" Cover for all other structures

LAP SCHEDULE

FOUNDATION		
(4000 PSI) CLASS-B		
BAR DIA	TOP	OTHERS
#3	24"	19"
#4	32"	25"
#5	40"	31"
#6	48"	37"
#7	70"	54"
#8	80"	62"



ABBREVIATIONS

ADDITIONAL	ADDL
BOTTOM	BOT
CORNER BAR	COR
DOWEL	DWL
TOP & BOTTOM	T&B
HORIZONTAL	HOR
EACH FACE	EF
INNER FACE	IF
OUTER FACE	OF
LONG WAY BAR	LW
SHORT WAY BAR	SW
VERTICAL	VERT

SAMPLE