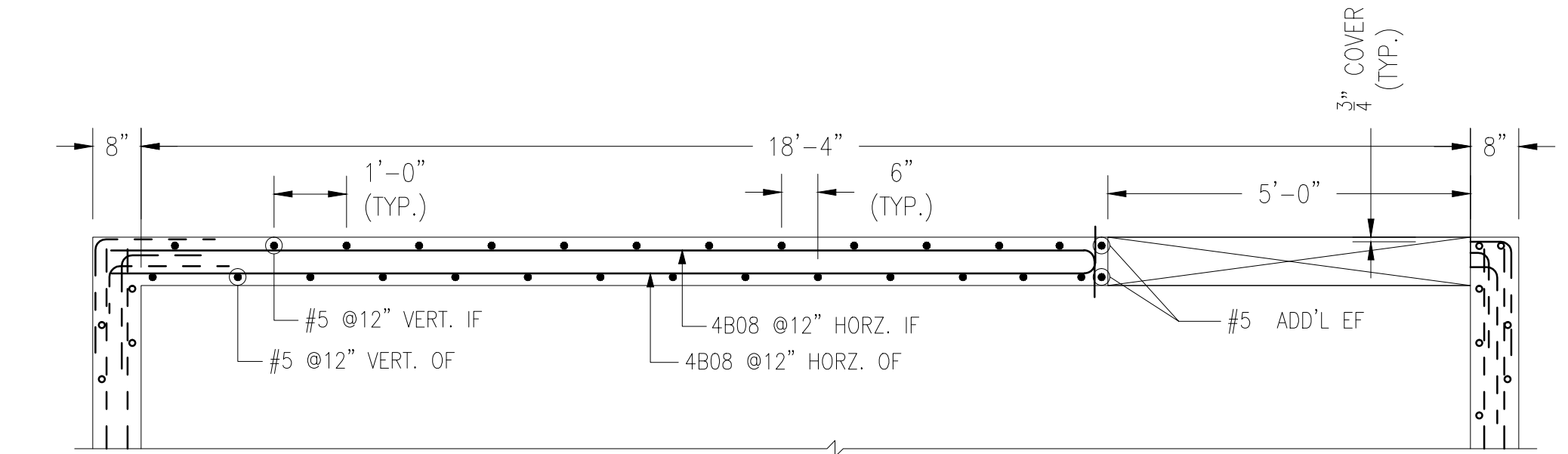
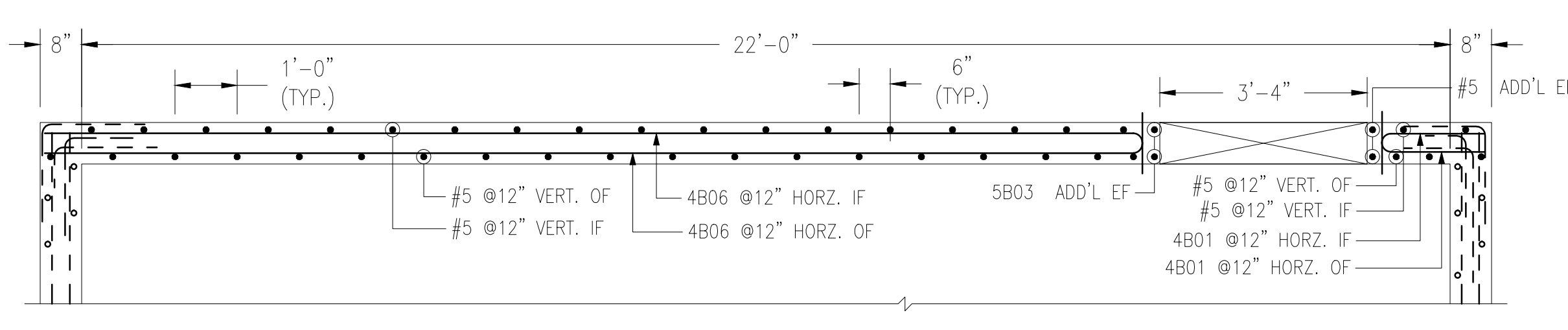


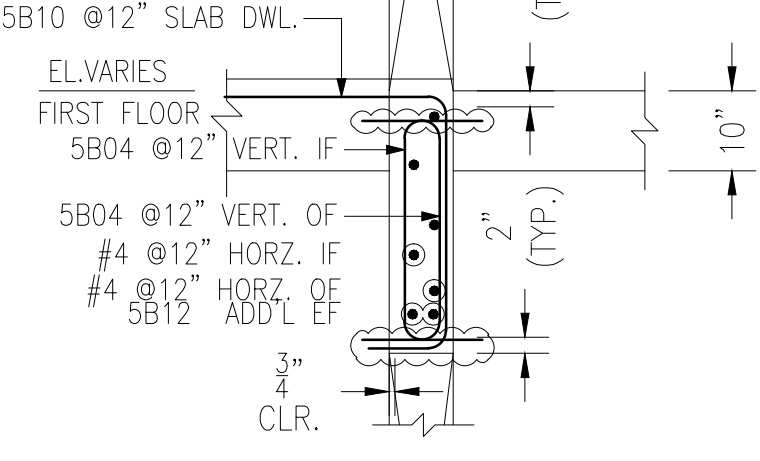
ELEVATION B
SCALE - 1/4" = 1'-0"
REF: W21/S-301 & S-502



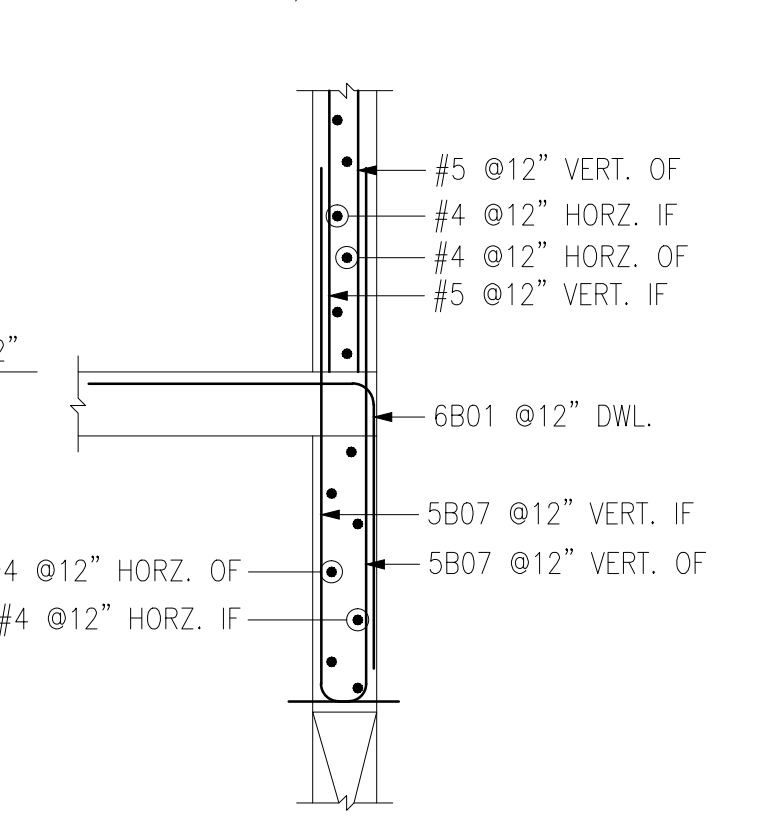
PLAN VIEW A-A
SCALE - 1/2" = 1'-0"
REF: W21/S-301 & S-502



PLAN VIEW B-B
SCALE - 1/2" = 1'-0"
REF: W21/S-301 & S-502



SECTION 1
SCALE - 1/2" = 1'-0"
REF: W21/S-301 & S-502



SECTION 2
SCALE - 1/2" = 1'-0"
REF: W21/S-301 & S-502

ABBREVIATIONS

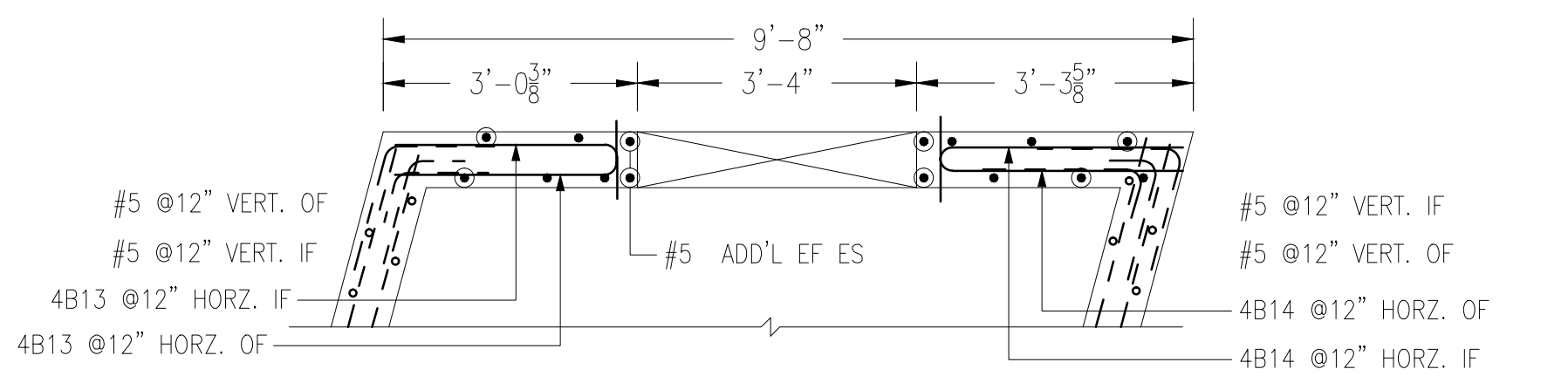
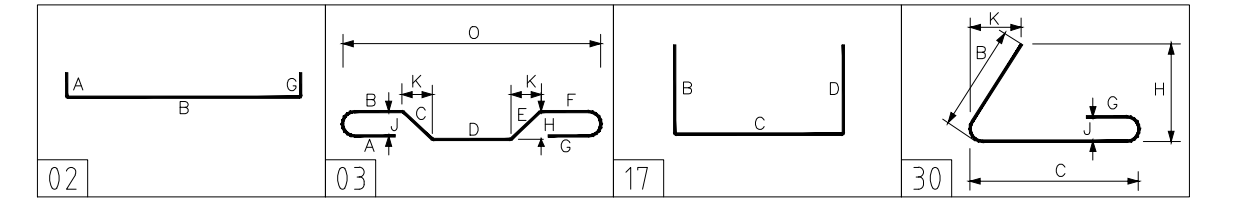
Vertical	VERT.
Horizontal	HORIZ.
Dowel	DWL.
Each Face	EF
Each Side	ES
Diagonal	DIA'G
Inner Face	IF
Outer Face	OF
Corner Bar	COR.
ADDITIONAL	ADD'L

SHEAR WALL LAP SCHEDULE

SIZE	5000 PSI	
	TOP	OTHERS
#3	22"	17"
#4	29"	22"
#5	36"	28"
#6	43"	33"
#7	63"	49"
#8	72"	55"
#9	81"	63"
#10	91"	70"
#11	101"	78"

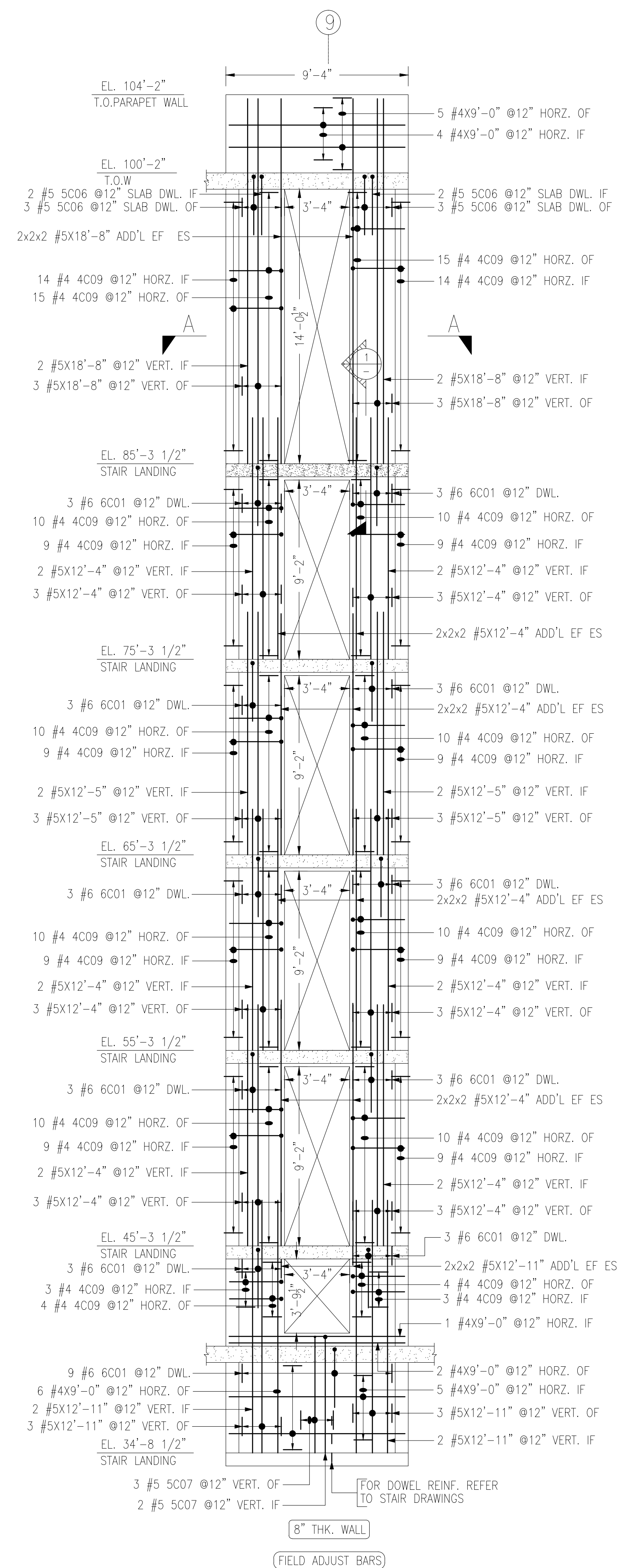
Release Code: SW-R2

		BENDING DETAILS															
Bar Mark	Qty	Size	Total Length	Type	A'	B'	C'	D'	E'	F'	G'	H'	I'	J'	K'	L'	M'
4B01	229	#4	24'7"		8'	18'											
4B02	11	#4	24'30"			8'	18'						7 1/2"		2'		
4B03	11	#4	24'30"			18'	8'						17 1/2"		5'		
4B04	12	#4	34'30"				18'	18'					17 1/2"		5'		
4B06	14	#4	18'4'2"		8'	17'8"											
4B07	60	#4	34'11"			18'	18'										
4B08	84	#4	14'3'2"		8'	17'7"											
4B09	56	#4	29'2"		8'	21'											
4B12	1	#4	17'11'2"		8'	17'3"											
4B13	14	#4	34'2"		8'	28'											
4B14	14	#4	37'2"		8'	21'11"											
5B01	8	#5	8'1'2"		10'	7'3"											
5B02	1	#5	7'0'2"		10'	6'2"											
5B03	5	#5	11'0'2"		10'	10'0"											
5B04	38	#5	4'0'2"		10'	2'4"											
5B05	28	#5	5'4'11"		24'	3'0"											
5B06	6	#5	5'2'2"		10'	3'6"											
5B07	7	#5	6'5'2"		10'	5'7"											
5B08	8	#5	10'8'2"		10'	9'0"											
5B09	8	#5	3'11'3"		16 1/2"	2'5"							19'		18 1/2"	33 1/2"	
5B10	5	#5	6'2'11"		24'	3'0"	10'										
5B11	10	#5	3'2'2"		10'	2'4"											
5B12	16	#5	8'6'2"		10'	7'8"											
5B13	106	#5	6'0'11"		3'0"	3'0"											
5B14	12	#5	6'2'11"		3'0"	2'4"	10'										
6B01	11	#6	6'0'11"		3'0"	3'0"											



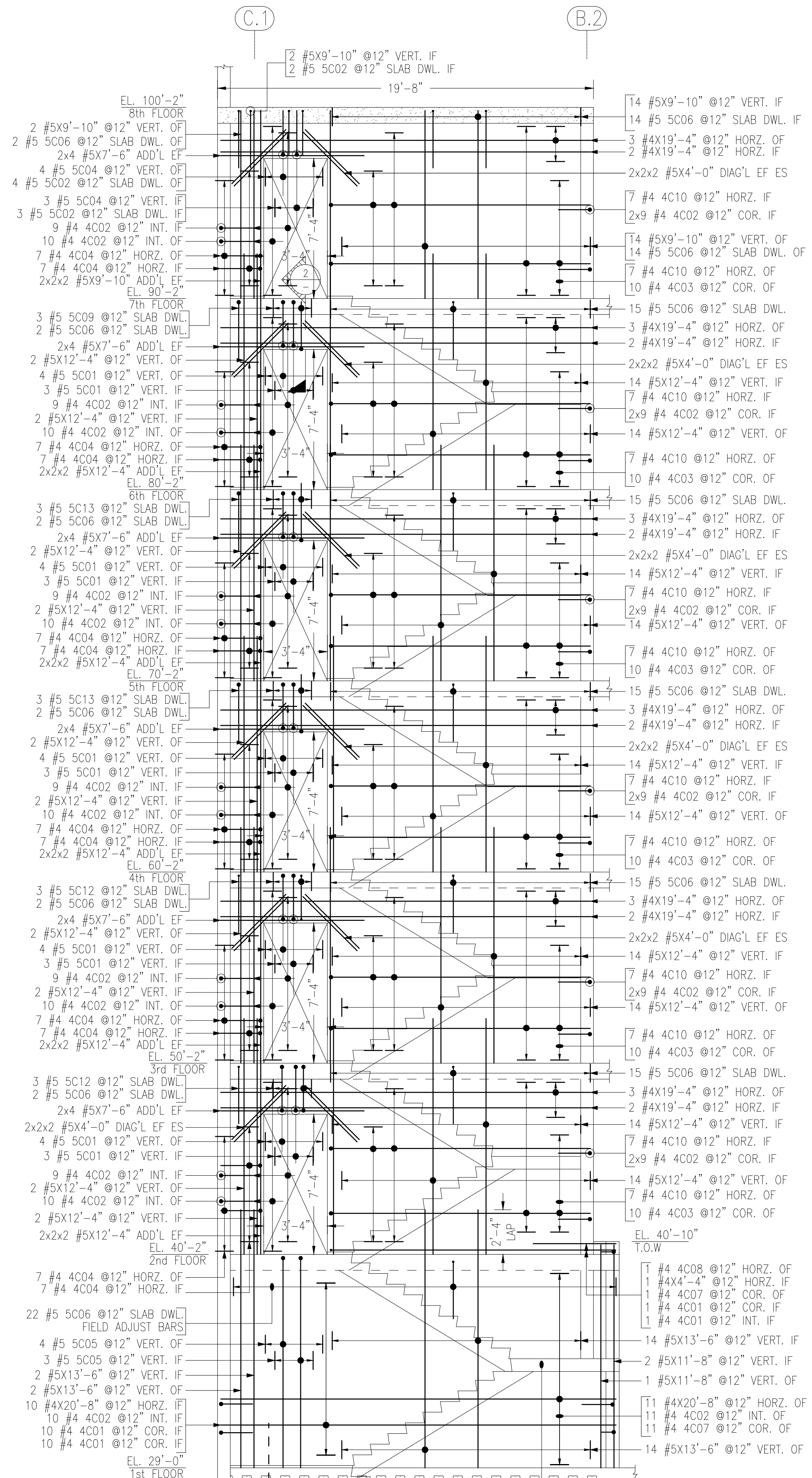
PLAN VIEW C-C
SCALE - 1/2" = 1'-0"
REF: W21/S-301 & S-502

SAMPLE



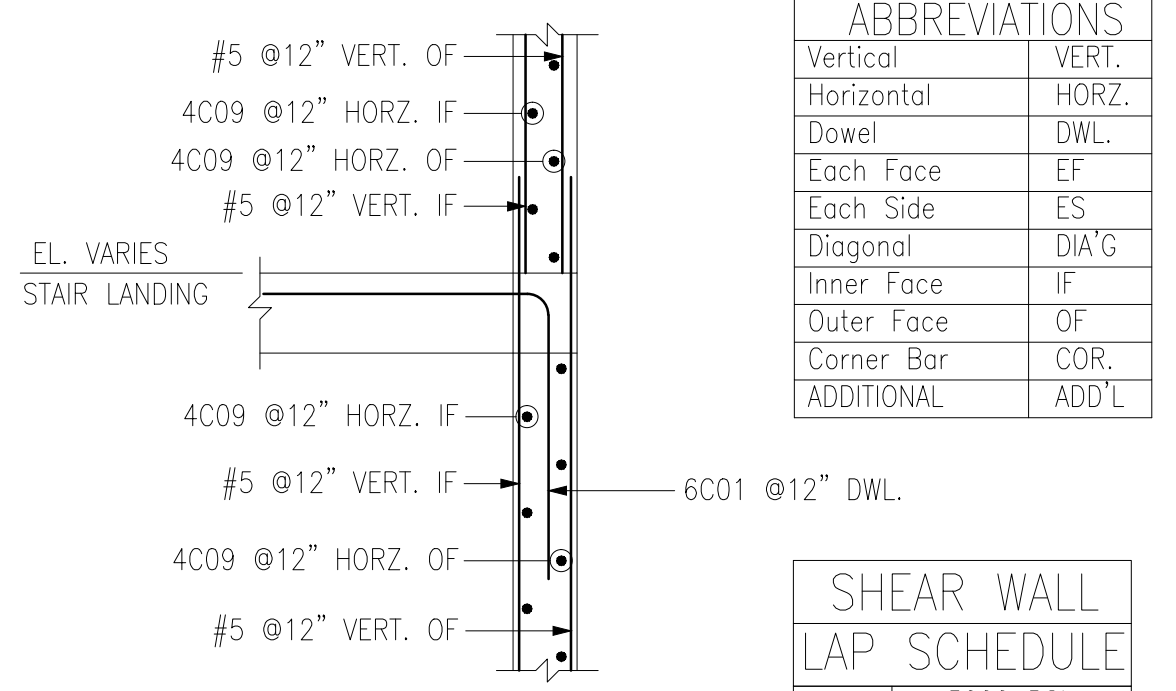
ELEVATION C
 SCALE- 1/4"=1'-0"
 REF:W21/S-301 & S-502

STAGGERED BOTH VERTICAL & HORIZONTAL BARS EACH FACE

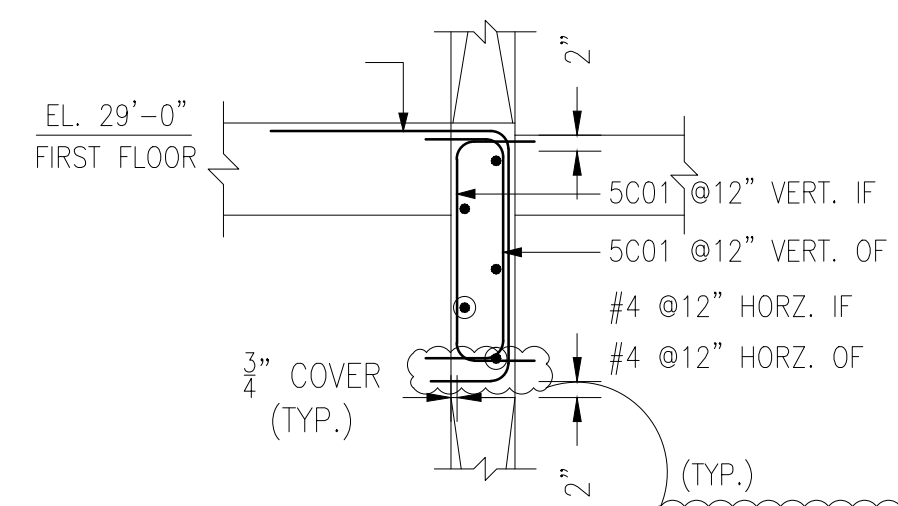


ELEVATION D
 SCALE- 1/4"=1'-0"
 REF:W21/S-301 & S-502

STAGGERED BOTH VERTICAL & HORIZONTAL BARS EACH FACE



SECTION 1
 SCALE- 1/2"=1'-0"
 REF:W21/S-301 & S-502



SECTION 2
 SCALE- 1/2"=1'-0"
 REF:W21/S-301 & S-502

ABBREVIATIONS

Vertical	VERT.
Horizontal	HORZ.
Dowel	DWL.
Each Face	EF
Each Side	ES
Diagonal	DIAG
Inner Face	IF
Outer Face	OF
Corner Bar	COR.
ADDITIONAL	ADD'L

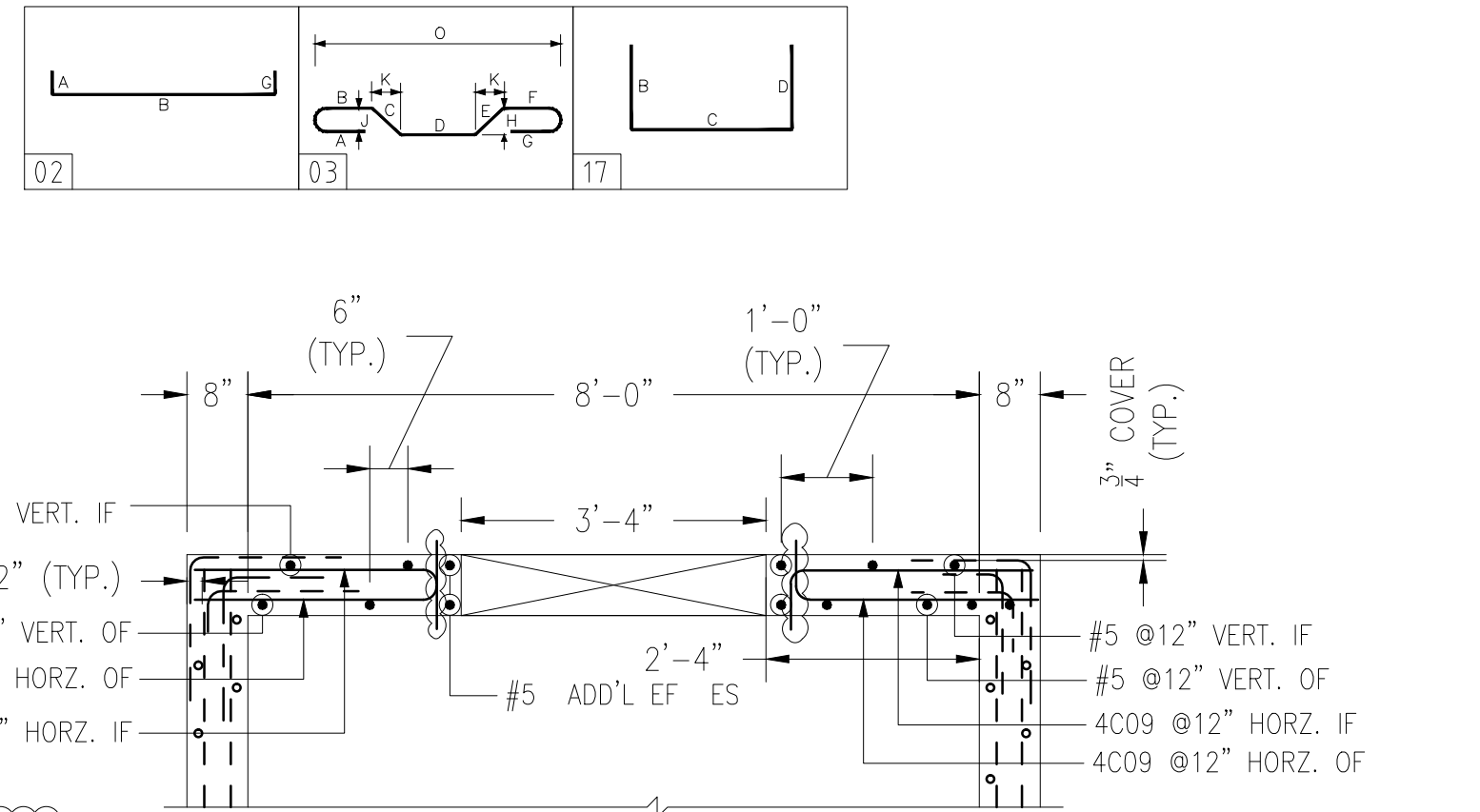
SHEAR WALL LAP SCHEDULE

SIZE	5000 PSI	OTHERS
#3	22"	17"
#4	29"	22"
#5	36"	28"
#6	43"	33"
#7	63"	49"
#8	72"	55"
#9	81"	63"
#10	91"	70"
#11	101"	78"

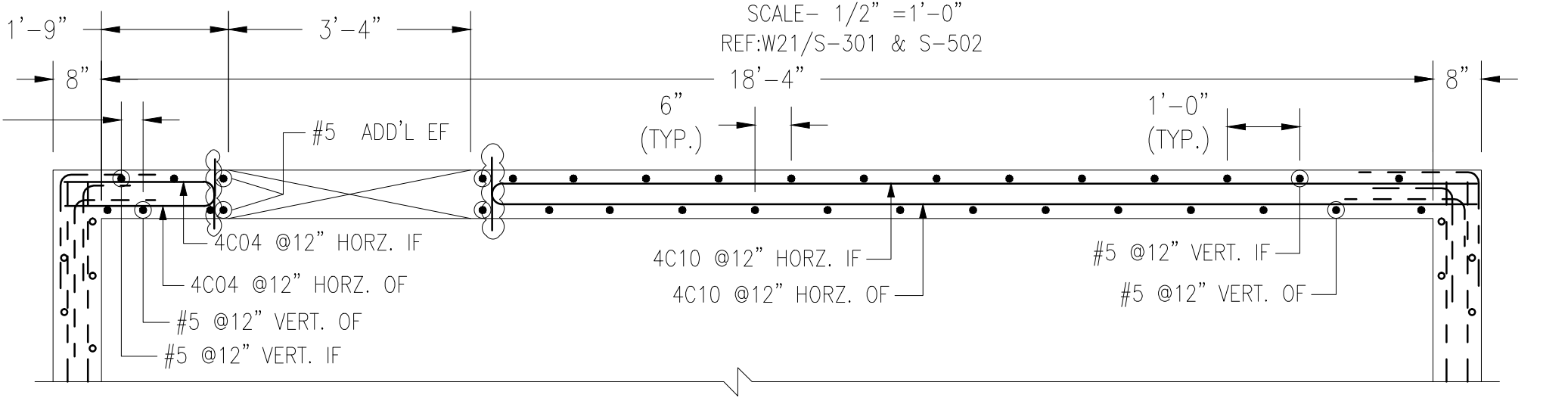
Release Code: SW-R3

BENDING DETAILS.

Bar Mark	Qty	Size	Length	Type	A'	B'	C'	D'	E'	F'	G'	H'	J'	K'	L'	M'
4C01	22	#4	24"	J												
4C02	24	#4	24"	J	8"	18"	8"									
4C03	60	#4	34"	J		18"	18"									
4C04	84	#4	29"	J	8"	21"										
4C07	12	#4	34"	J		18"	18"					17 1/2"		5"	21"	
4C08	1	#4	15 1/2"	J	8"	14 1/2"										
4C09	224	#4	34"	J	8"	28"										
4C10	84	#4	14 1/2"	J	8"	13 1/2"										
5C01	35	#5	4 1/2"	J	10"	24"						10"				
5C02	9	#5	5 1/2"	J	10"	24"	30"									
5C04	7	#5	3 1/2"	J	10"	24"										
5C05	7	#5	11 1/2"	J	10"	10"										
5C06	14 1/2	#5	6 1/2"	J	10"	30"	30"									
5C09	3	#5	6 1/2"	J	10"	24"	30"	10"								
5C12	4	#5	6 1/2"	J	10"	30"	24"	10"								
5C13	4	#5	6 1/2"	J	10"	30"	24"	10"								
6C01	39	#6	6 1/2"	J	10"	30"	30"									

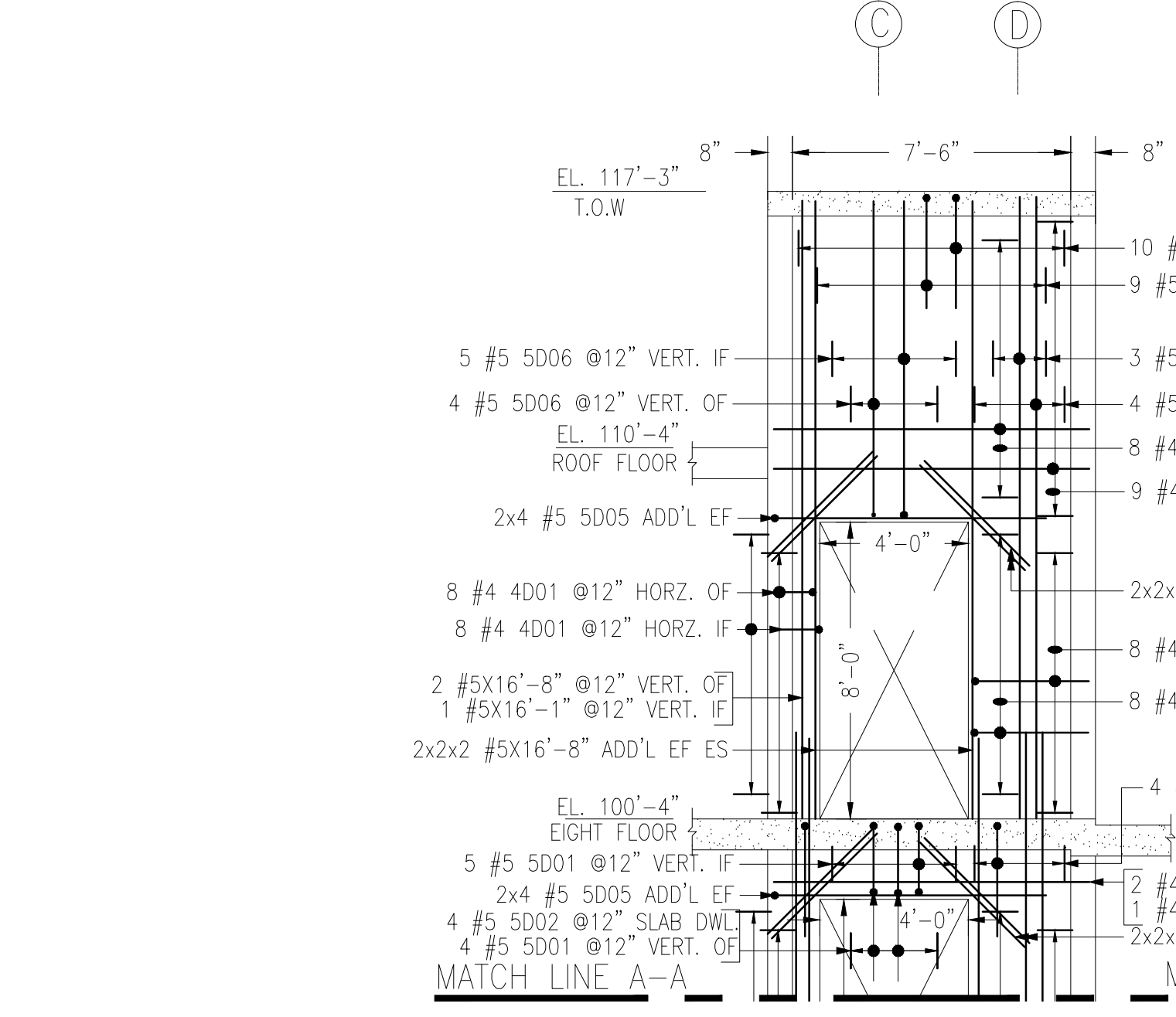
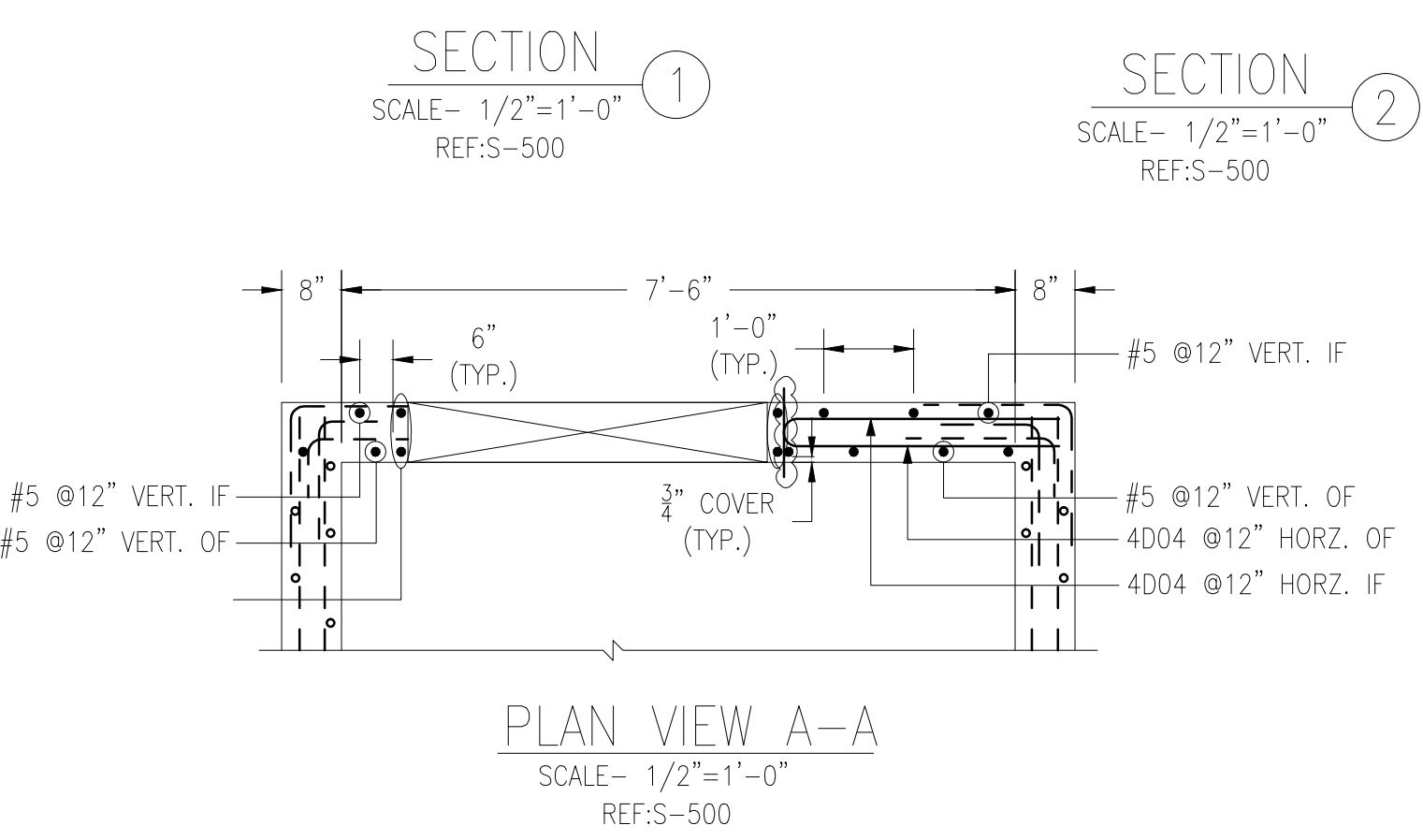
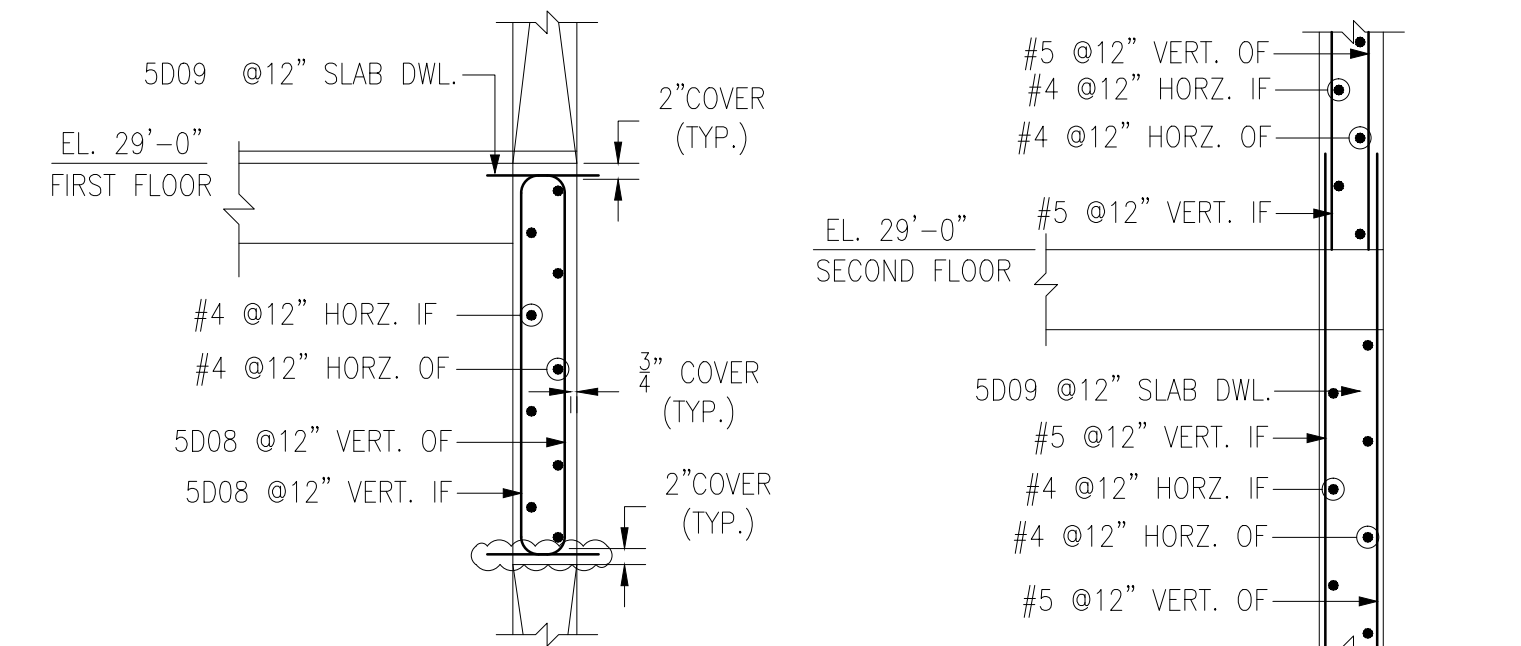
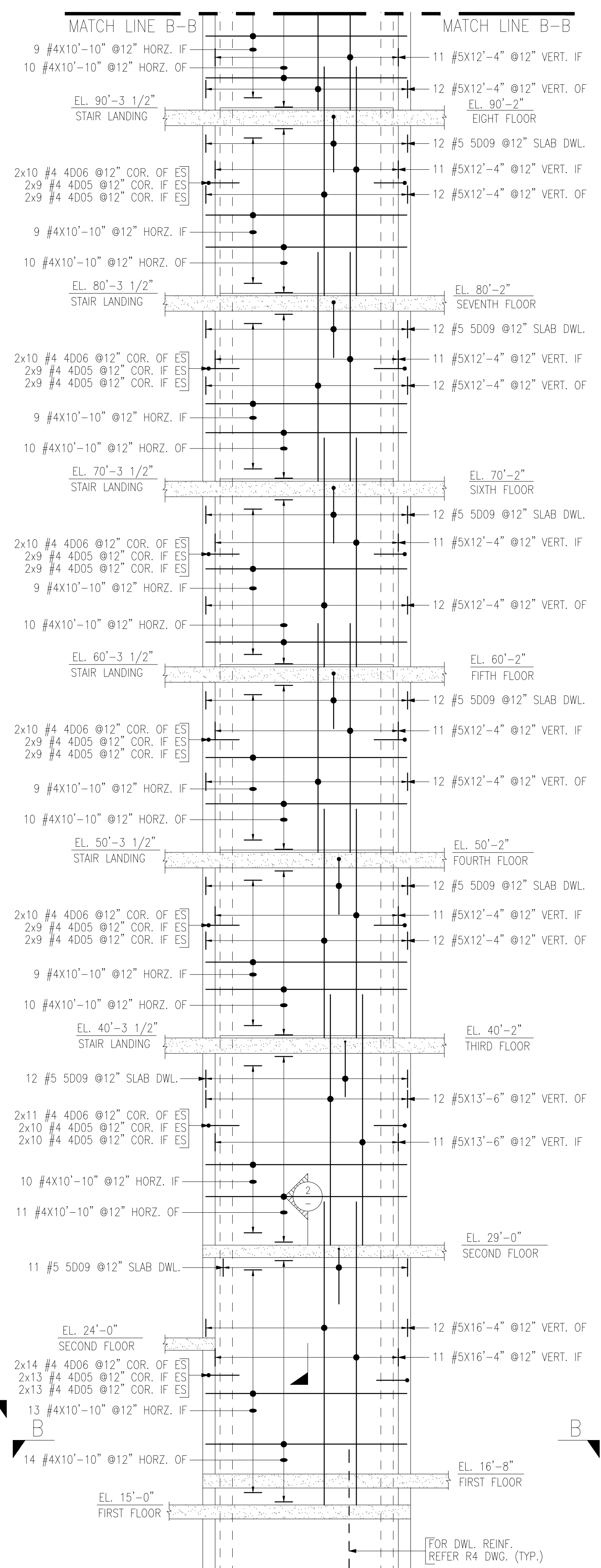
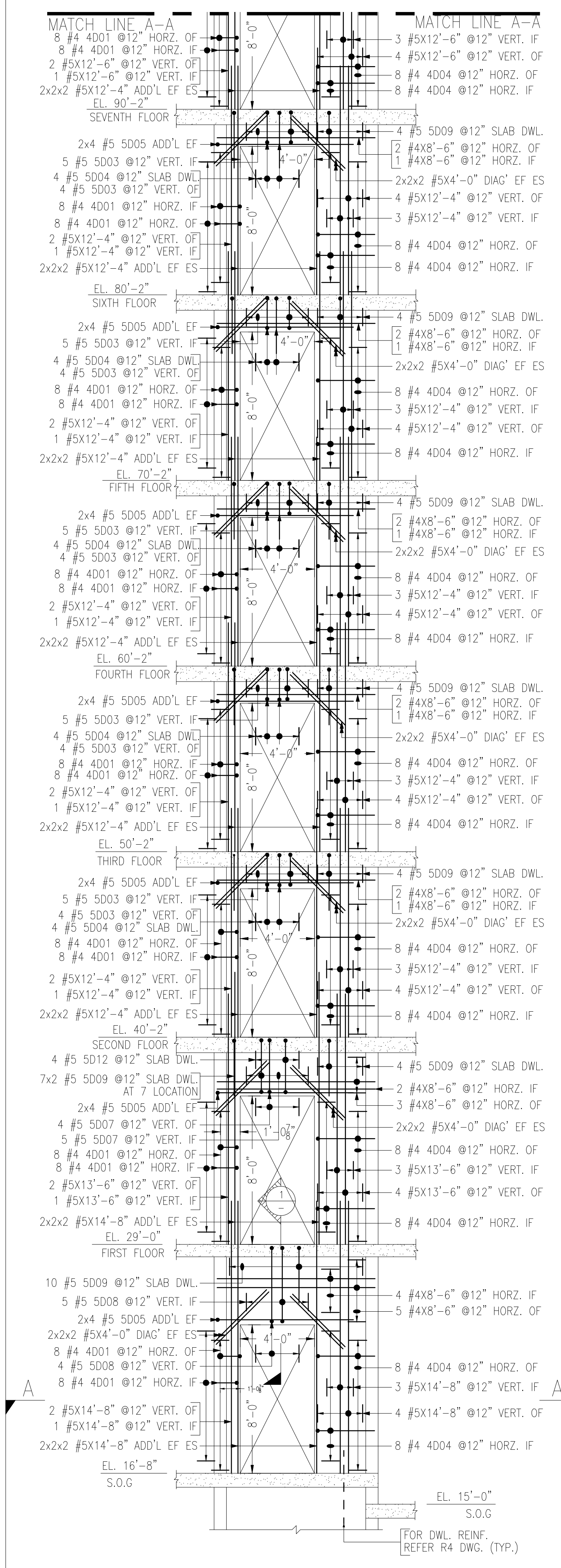


PLAN VIEW A-A
 SCALE- 1/2"=1'-0"
 REF:W21/S-301 & S-502



PLAN VIEW B-B
 SCALE- 1/2"=1'-0"
 REF:W21/S-301 & S-502

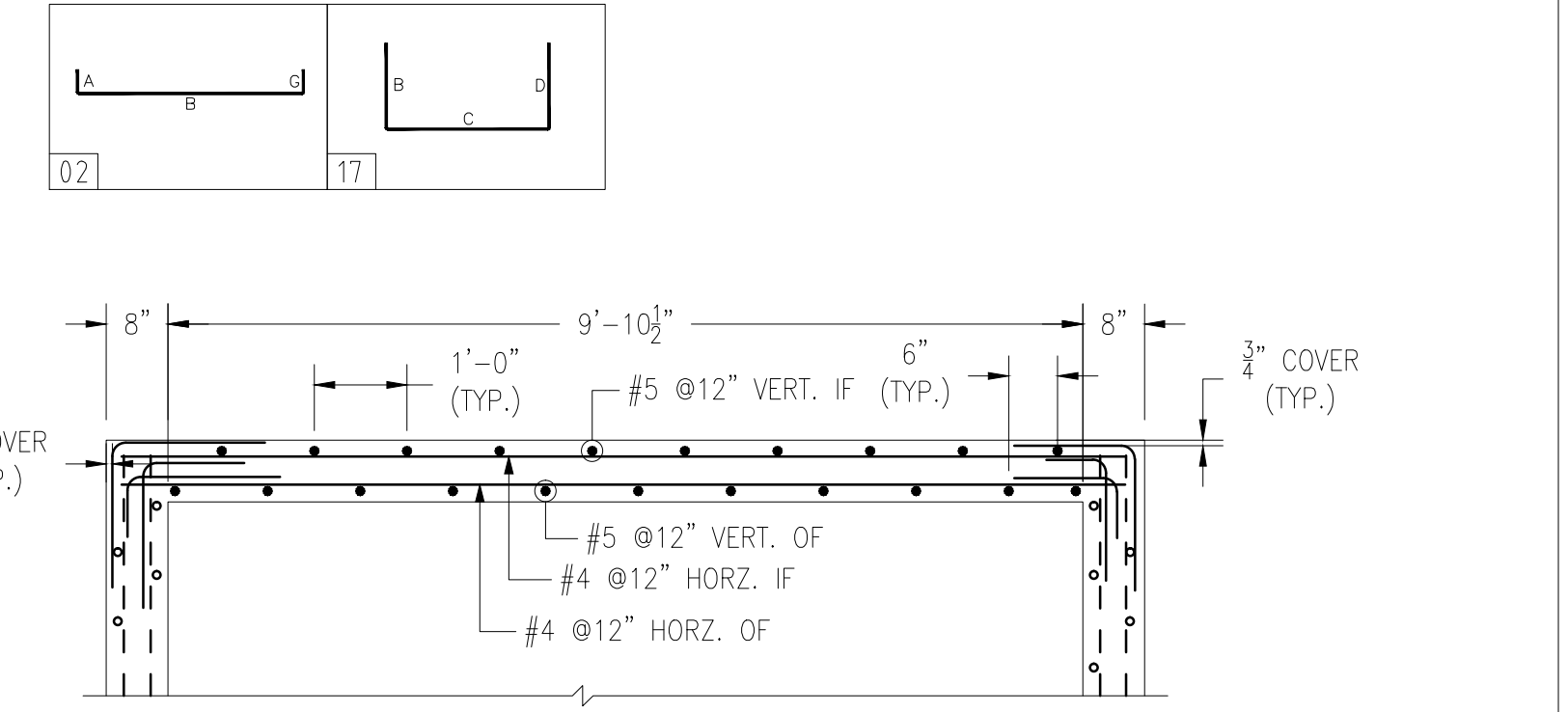
SAMPLE



ABBREVIATIONS	
Vertical	VERT.
Horizontal	HORIZ.
Dowel	DWL.
Each Face	EF
Each Side	ES
Diagonal	DIA/G
Inner Face	IF
Outer Face	OF
Corner Bar	COR.
ADDITIONAL	ADD'L

SHEAR WALL LAP SCHEDULE	
SIZE	5000 PSI
	TOP OTHERS
#3	22" 17"
#4	29" 22"
#5	36" 28"
#6	43" 33"
#7	63" 49"
#8	72" 55"
#9	81" 63"
#10	91" 70"
#11	101" 78"

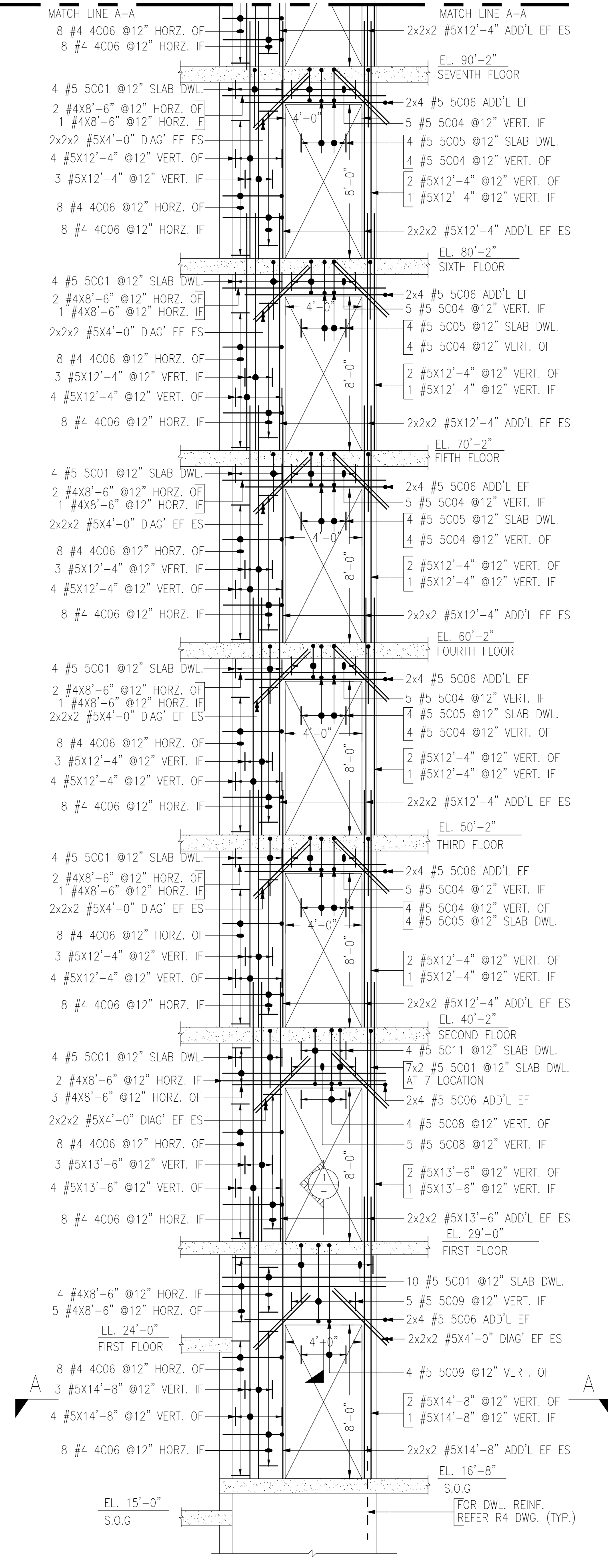
Release Code: SW-R4		BENDING DETAILS.													
Bar Mark	Qty	Size	Length	Type	'A'	'B'	'C'	'D'	'E'	'F'	'G'	'H'	'J'	'K'	'L'
4007	144	#4	18'2"												
5004	144	#4	39'2"												
4005	372	#4	24'2"												
4008	204	#4	34'11"												
5001	9	#5	36'2"												
5002	4	#5	58'11"												
5003	45	#5	34'2"												
5004	20	#5	56'11"												
5005	72	#5	87'2"												
5006	9	#5	94'2"												
5007	9	#5	46'2"												
5008	9	#5	58'2"												
5009	80	#5	6'0"												
5012	4	#5	68'11"												



ELEVATION A-A
 SCALE: 1/4"=1'-0"
 REF:W20/S-301 & S-502
 STAGGERED BOTH VERTICAL & HORIZONTAL BARS EACH FACE

ELEVATION B-B
 SCALE: 1/4"=1'-0"
 REF:W19/S-301 & S-502
 STAGGERED BOTH VERTICAL & HORIZONTAL BARS EACH FACE

SAMPLE

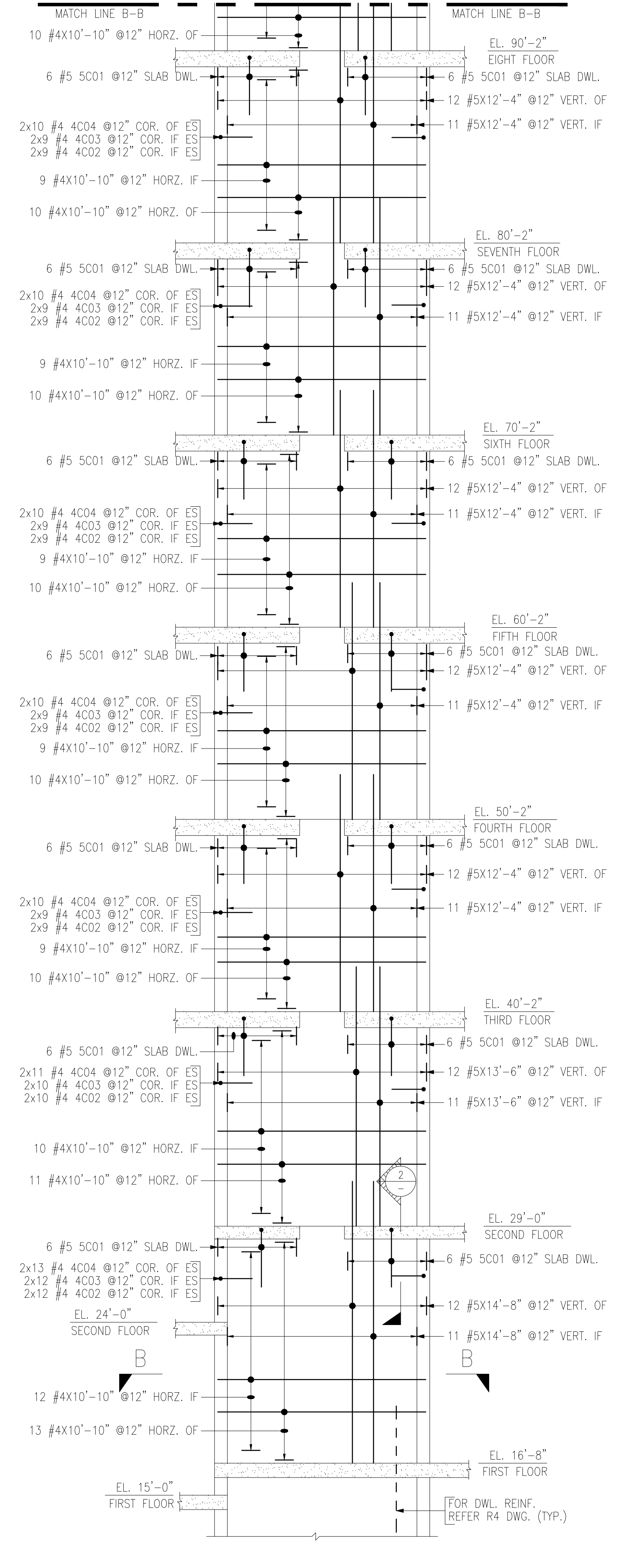


FIELD ADJUST BARS

ELEVATION C
SCALE - 1/4" = 1'-0"
REF: W19/S-301 & S-502

STAGGERED BOTH VERTICAL & HORIZONTAL BARS EACH FACE

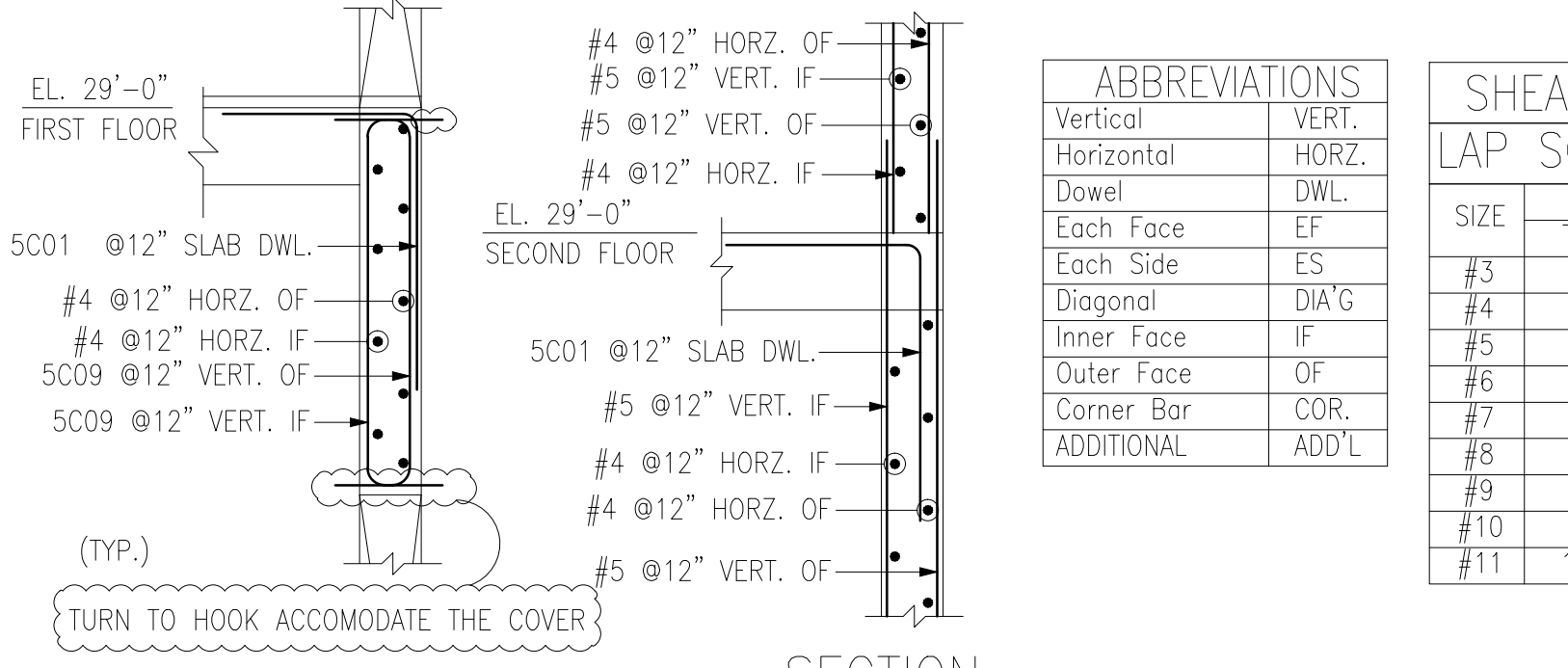
G.C. TO COORDINATE ELEVATOR MANUFACTURER FOR LOCATIONS AND CLEARANCE DIMENSIONS FOR OPENINGS



FIELD ADJUST BARS

ELEVATION H
SCALE - 1/4" = 1'-0"
REF: W19/S-301 & S-502

STAGGERED BOTH VERTICAL & HORIZONTAL BARS EACH FACE



SECTION 1 SCALE - 1/2" = 1'-0"
SECTION 2 SCALE - 1/2" = 1'-0"

ABBREVIATIONS

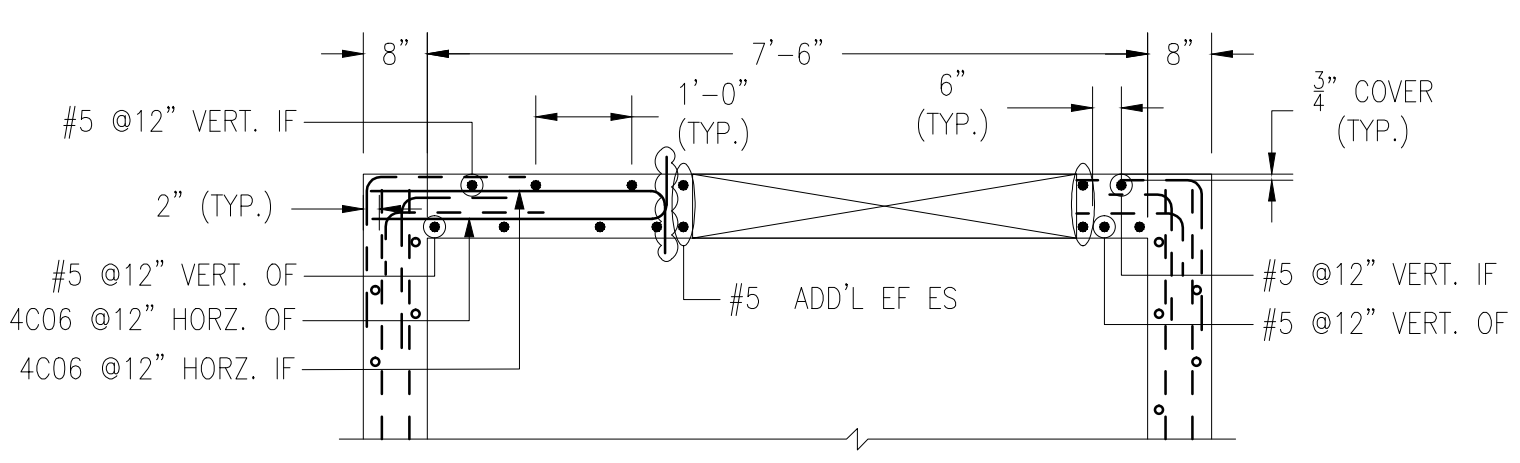
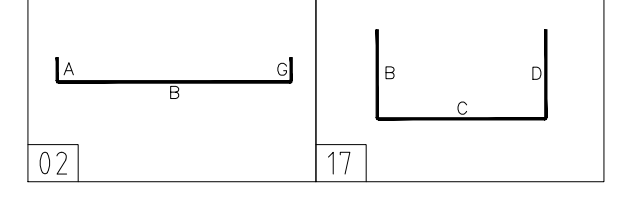
Vertical	VERT.
Horizontal	HORIZ.
Dowel	DWL.
Each Face	EF
Each Side	ES
Diagonal	DIA'G
Inner Face	IF
Outer Face	OF
Corner Bar	COR.
ADDITIONAL	ADD'L

SHEAR WALL LAP SCHEDULE

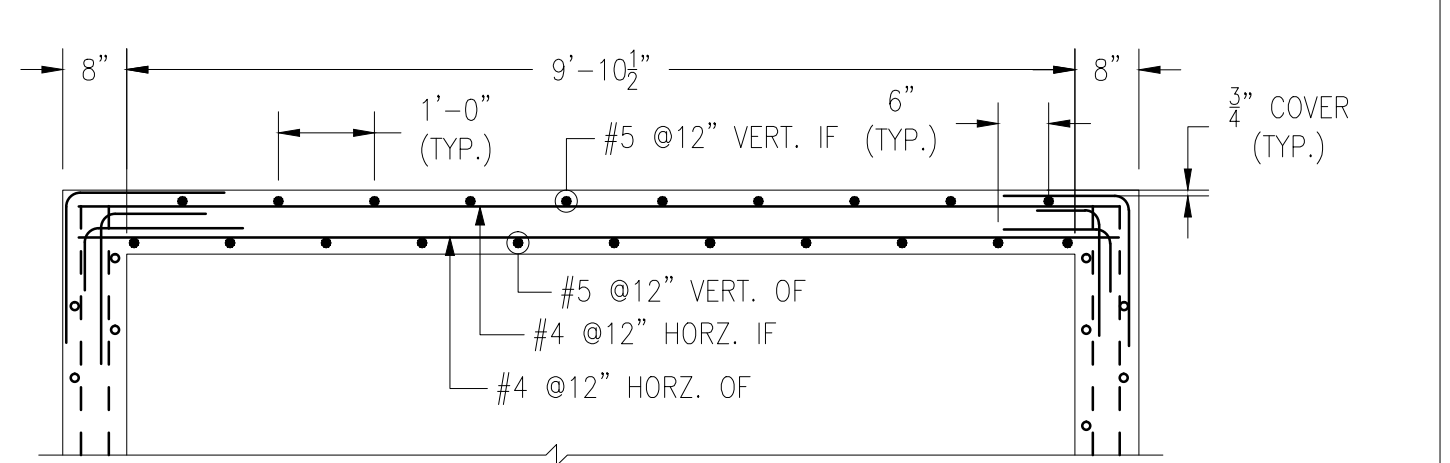
SIZE	5000 PSI	
	TOP	OTHERS
#3	22"	17"
#4	29"	22"
#5	36"	28"
#6	43"	33"
#7	63"	49"
#8	72"	55"
#9	81"	63"
#10	91"	70"
#11	101"	78"

Release Code: SW-R5

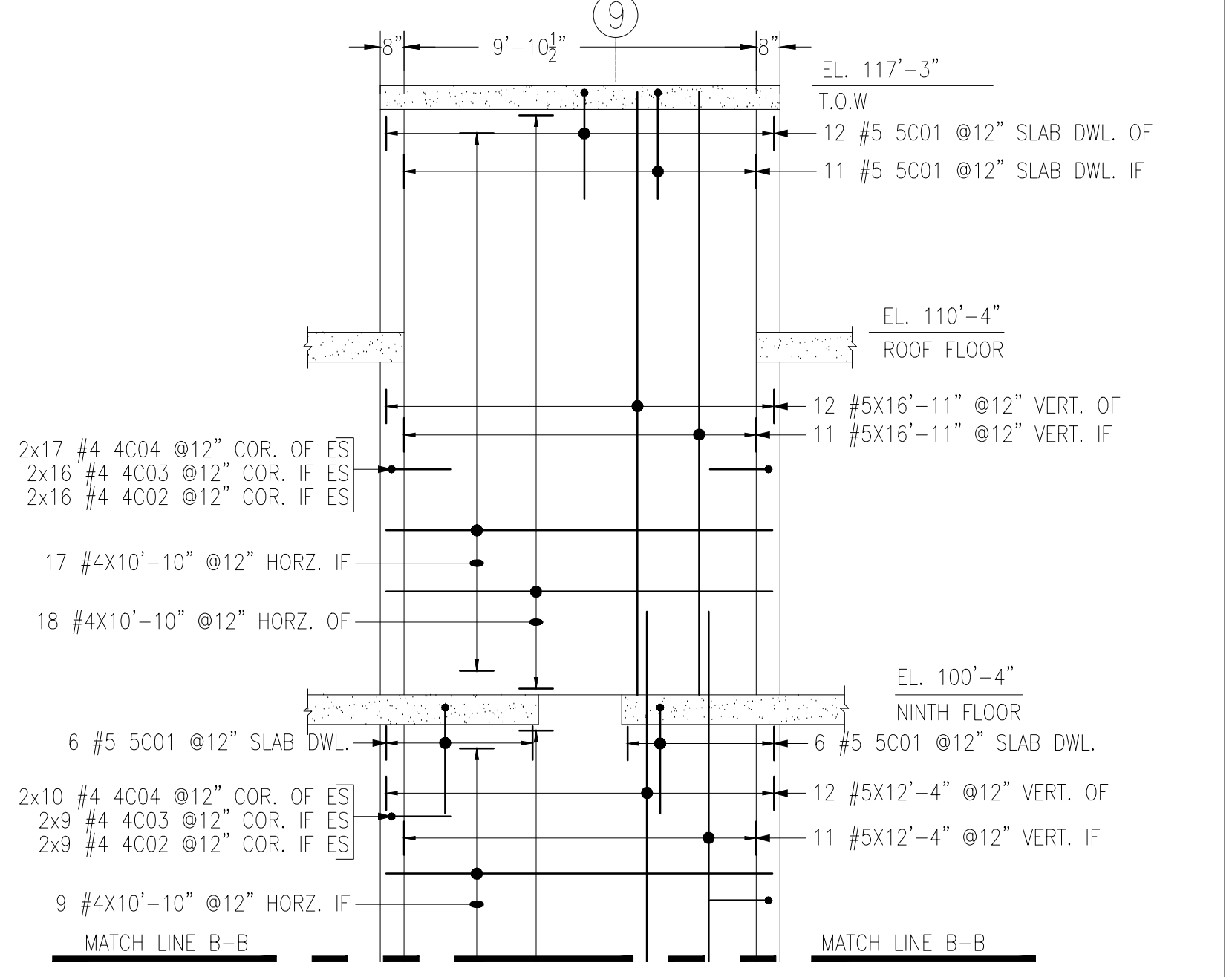
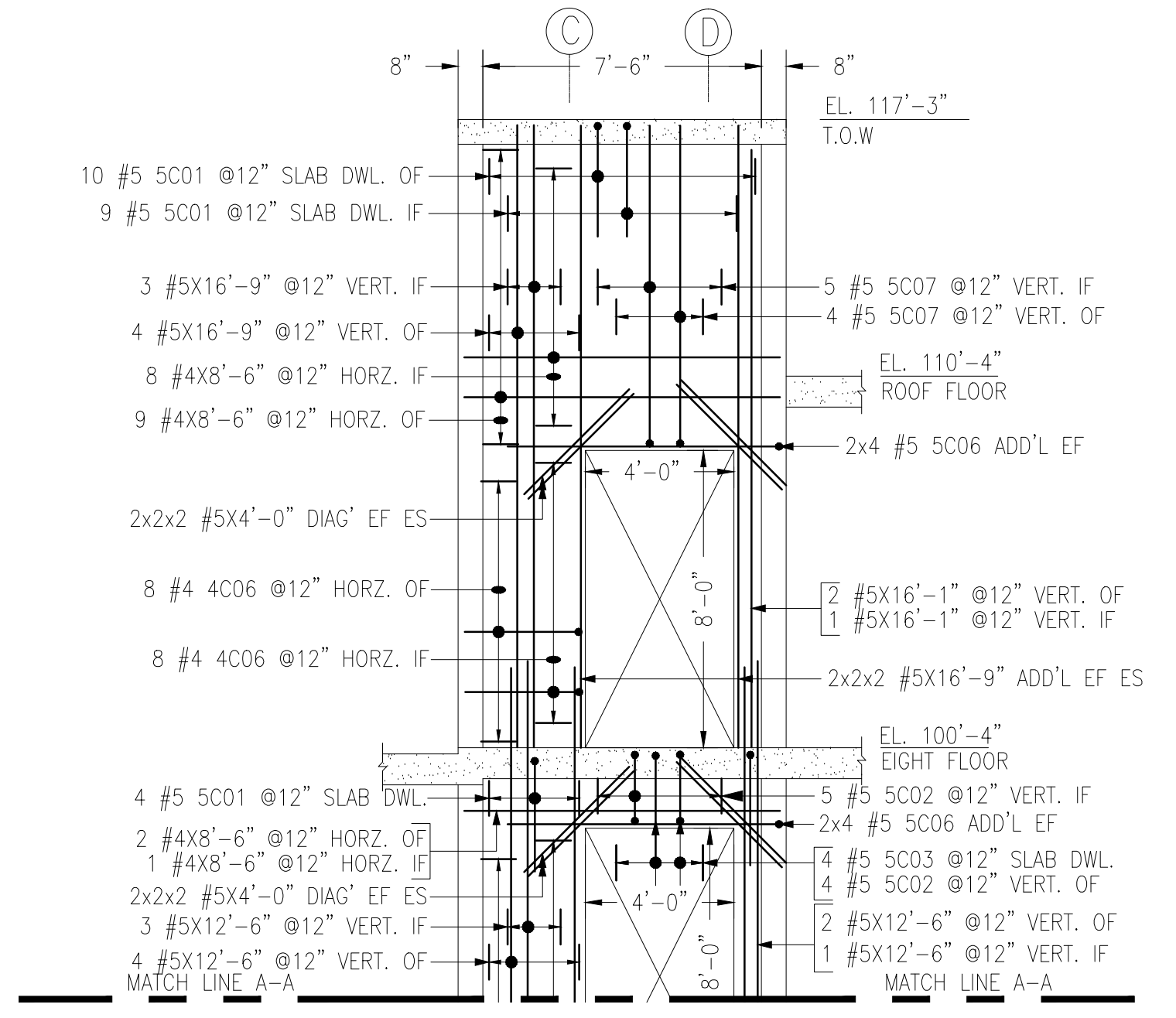
Bar Mark	Qty	Size	Total Length	BENDING DETAILS													
				A'	B'	C'	D'	E'	F'	G'	H'	J'	K'	L'			
4C02	184	HL	19'2"														
4C03	184	HL	24'2"														
4C04	202	HL	29'0"														
4C06	144	HL	39'2"														
5C01	190	RS	6'0"			3'0"	3'0"										
5C02	9	RS	35'2"			10'	10'										
5C03	4	RS	58'0"			3'0"	1'0"	10'									
5C04	45	RS	34'2"			10'	18'										
5C05	20	RS	58'0"			3'0"	18'	10'									
5C06	12	RS	82'2"			10'	7'4"										
5C07	9	RS	95'2"			10'	8'7"										
5C08	9	RS	45'2"			10'	2'0"										
5C09	9	RS	58'2"			10'	4'0"										
5C11	4	RS	68'0"			3'0"	2'0"	10'									



PLAN VIEW A-A SCALE - 1/2" = 1'-0"



PLAN VIEW B-B SCALE - 1/2" = 1'-0"



SAMPLE