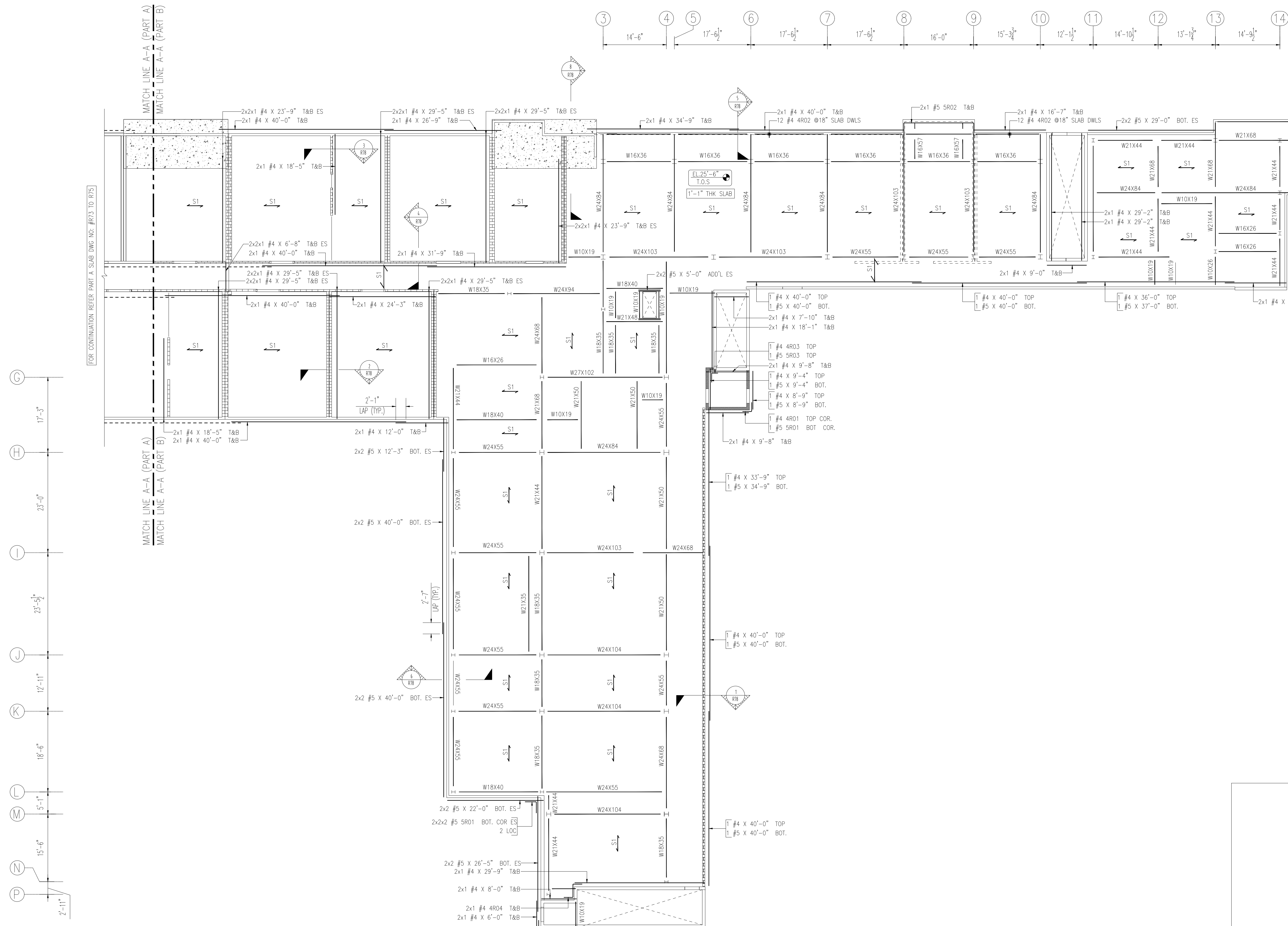


LAP SCHEDULE		
SIZE	4000 PSI	
	TOP	OTHERS
#3	24"	19"
#4	32"	25"
#5	40"	31"
#6	48"	37"
#7	70"	54"
#8	80"	62"
#9	91"	70"
#10	102"	79"
#11	113"	87"

ABBREVIATIONS	
STIRRUP	STIRR.
TOP & BOTTOM	T&B
TOP OF SLAB	T.O.S
NORTH-SOUTH	N-S
EAST-WEST	E-W

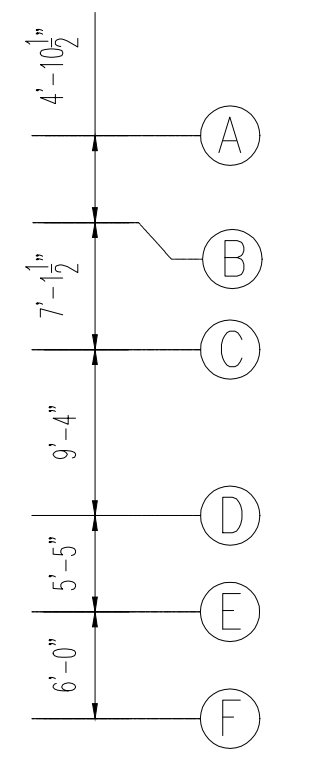
(BOTTOM BAR ARRANGEMENT)
PART B SECOND FLOOR SLAB LAYOUT
 SCALE - 3/32"=1'-0"
 REF: S2.0B

SAMPLE



FOR CONTINUATION REFER PART A SLAB DWG NO. #R73 TO R75

MATCH LINE A-A (PART A)
MATCH LINE A-A (PART B)



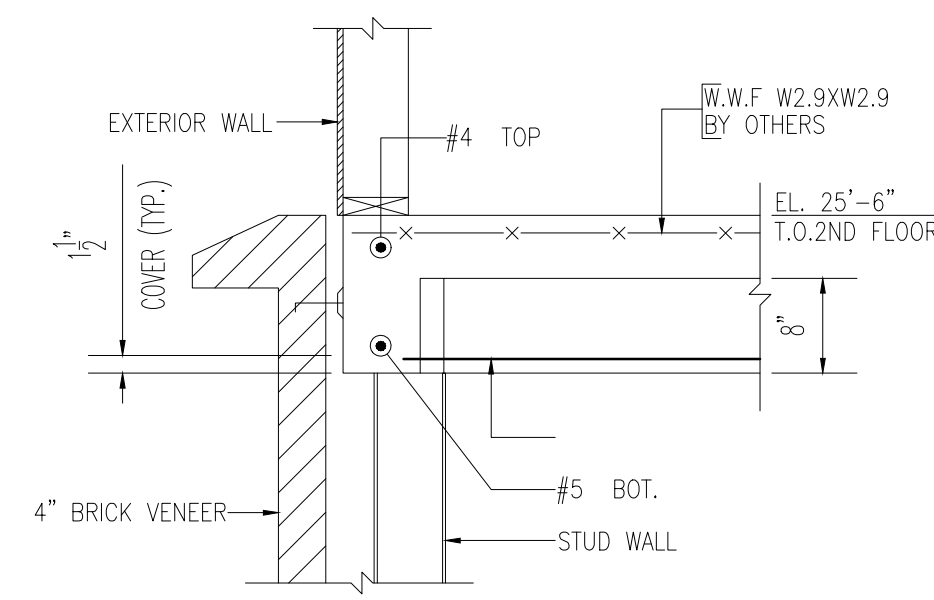
LAP SCHEDULE		
SIZE	4000 PSI	
	TOP	OTHERS
#3	24"	19"
#4	32"	25"
#5	40"	31"
#6	48"	37"
#7	70"	54"
#8	80"	62"
#9	91"	70"
#10	102"	79"
#11	113"	87"

ABBREVIATIONS	
STIRRUP	STIRR.
TOP & BOTTOM	T&B
TOP OF SLAB	T.O.S
NORTH-SOUTH	N-S
EAST-WEST	E-W

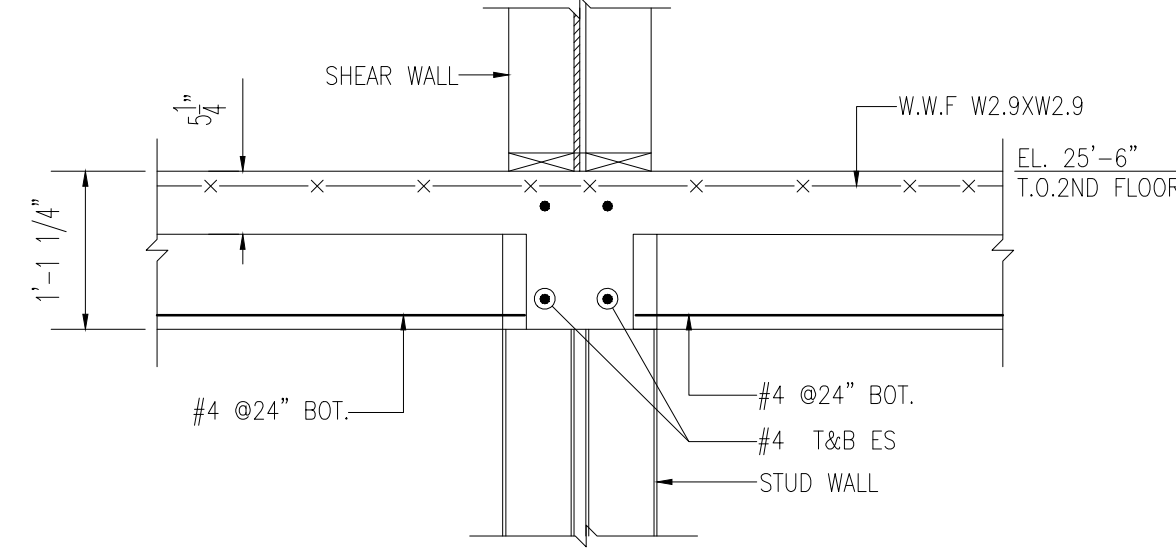
(ADDITIONAL BAR ARRANGMENT)
PART B SECOND FLOOR SLAB LAYOUT
SCALE - 3/32"=1'-0"
REF:S2.0B

SAMPLE

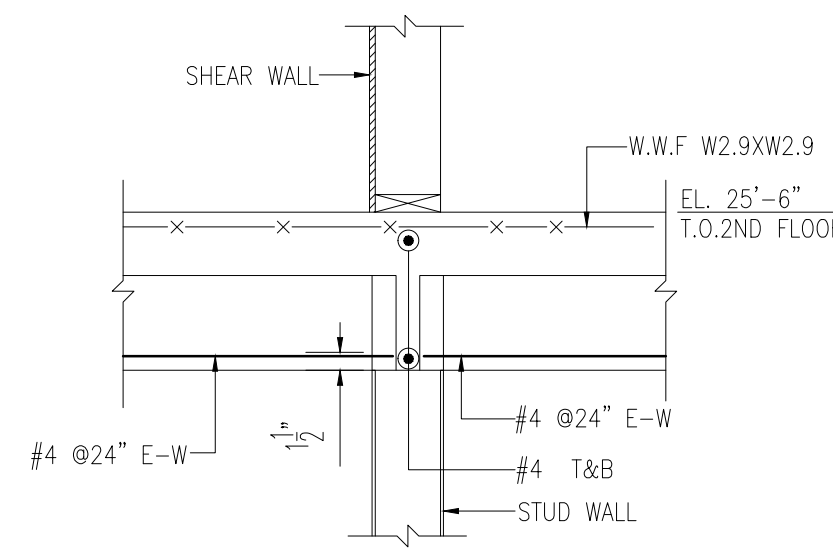
Release Number: R76 TO R78					BAR LIST											
Bar Mark	Qty	Size	Total Length	Type	X'	Y'	Z'	Y'	Z'	Y'	Z'	Y'	Z'	Y'	Z'	
3R01	210	#3	1'-6"	19	0'-4"	0'-10"										
4R01	9	#4	4'-2"	17		2'-1"	2'-1"									
4R02	24	#4	3'-10"	17		3'-0"	0'-10"									
4R03	1	#4	3'-6"	17		1'-5"	2'-1"									
4R04	2	#4	7'-3"	20		2'-1"	3'-1"	2'-1"								
5R01	9	#5	5'-2"	17		2'-7"	2'-7"									
5R02	2	#5	22'-1"	17		3'-0"	16'-1"	3'-0"								
5R03	1	#5	4'-0"	17		1'-5"	2'-7"									
5R04	50	#5	11'-10"	2	0'-10"	11'-0"										
5R05	26	#5	24'-6"	2	0'-10"	23'-8"										



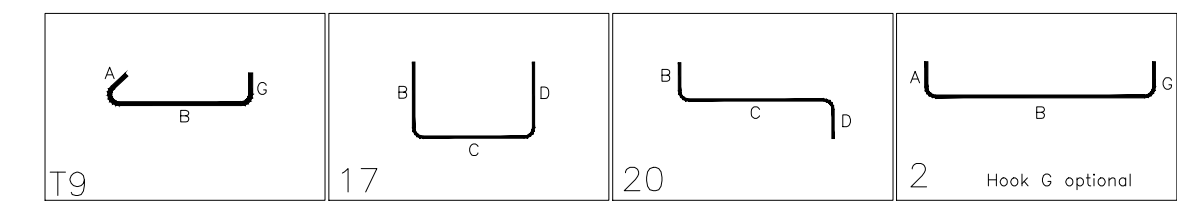
SECTION 1
SCALE: 3/4"=1'-0"
REF: 2B/SD2.0



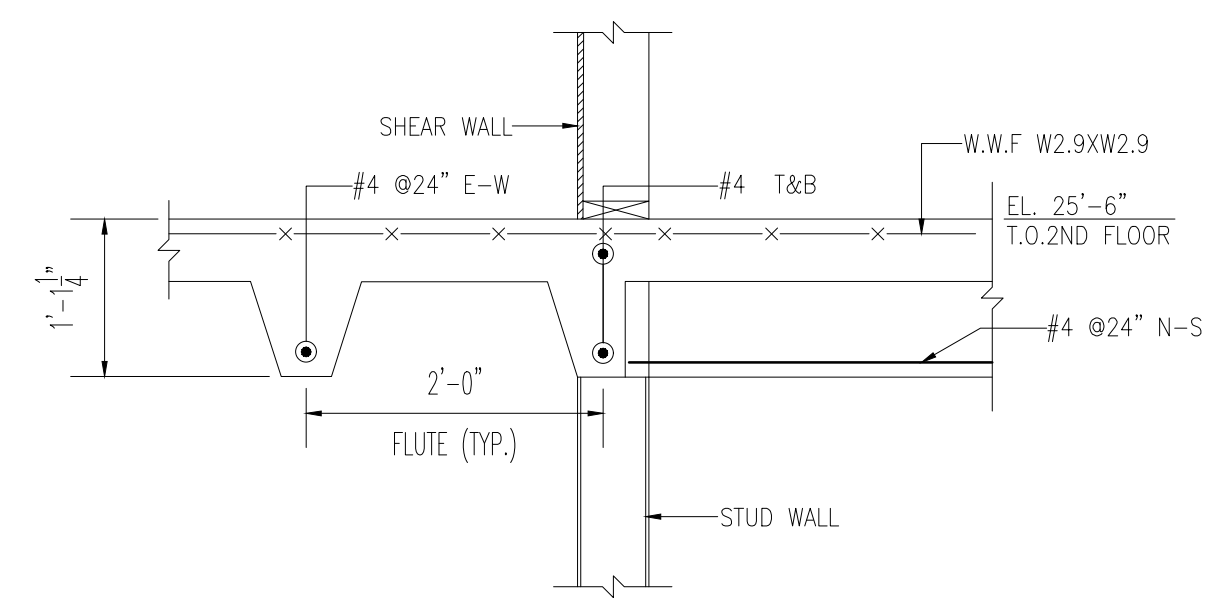
SECTION 2
SCALE: 3/4"=1'-0"
REF: 3/SD2.0



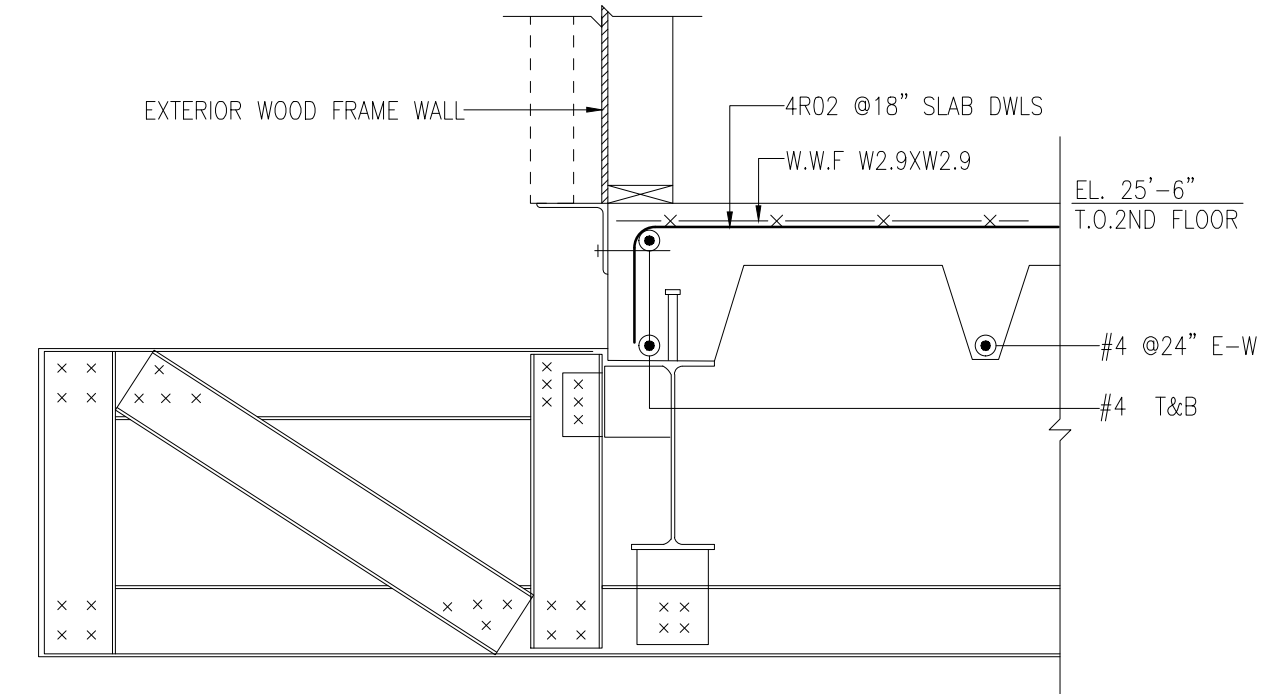
SECTION 3
SCALE: 3/4"=1'-0"
REF: 5/SD2.0



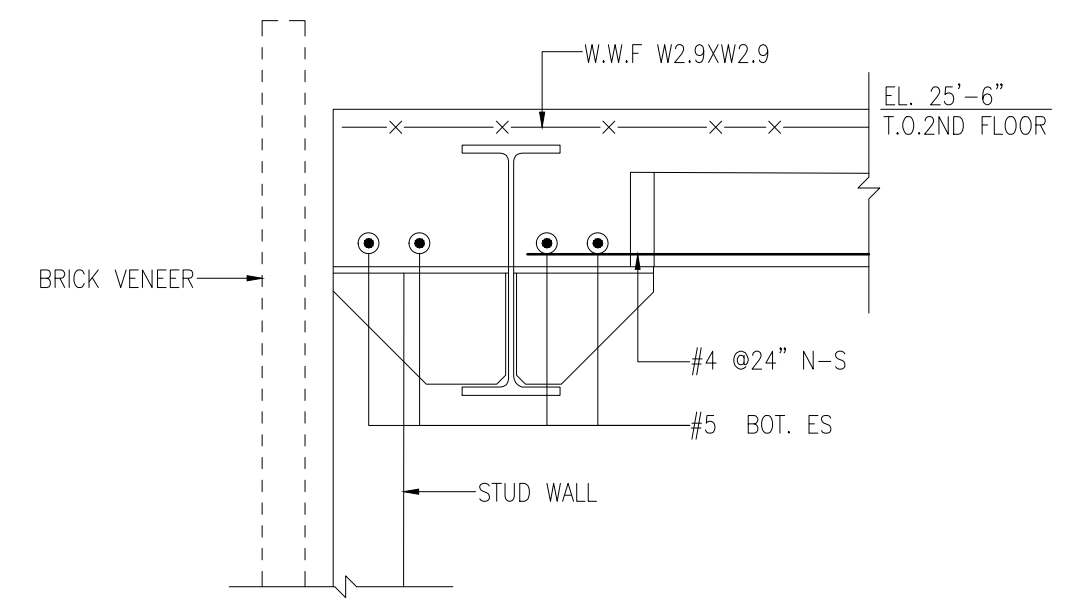
ALL BARS IN THIS DRAWING
ASTM A615 GRADE 60
BLACK UNCOATED



SECTION 4
SCALE: 3/4"=1'-0"
REF: 7/SD2.0



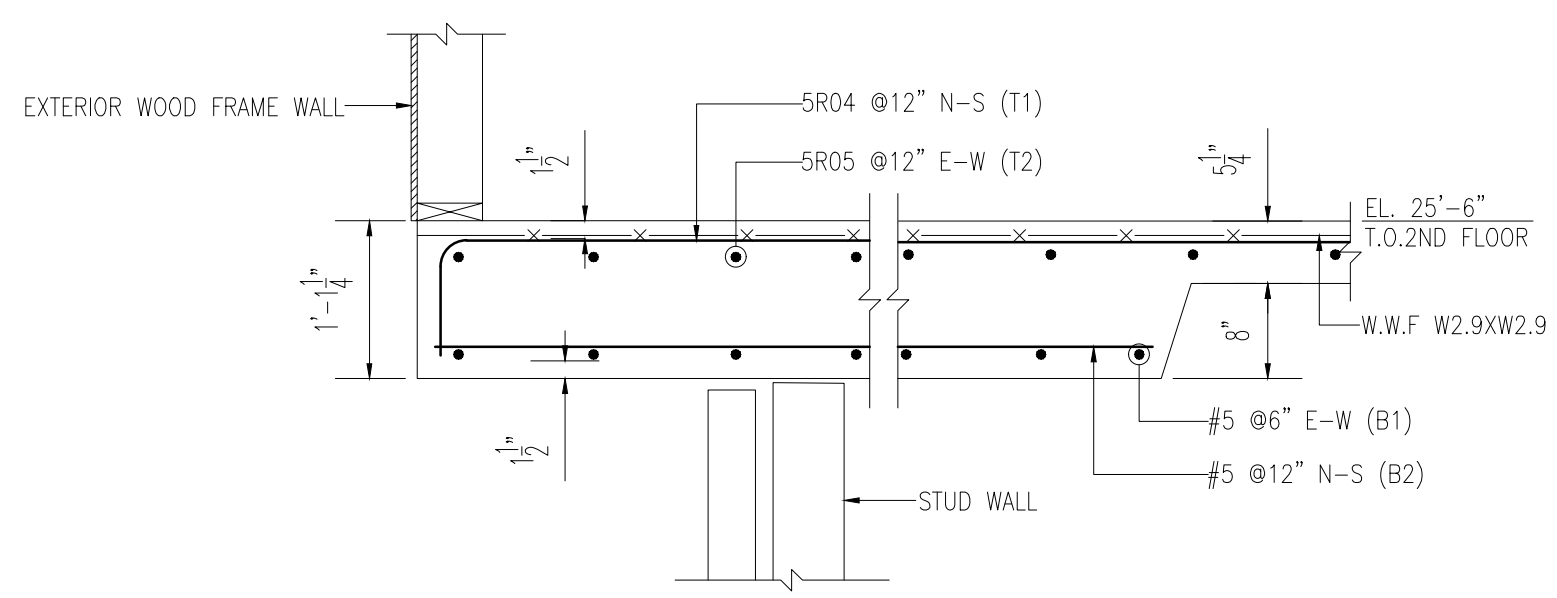
SECTION 5
SCALE: 3/4"=1'-0"
REF: 25/SD2.1



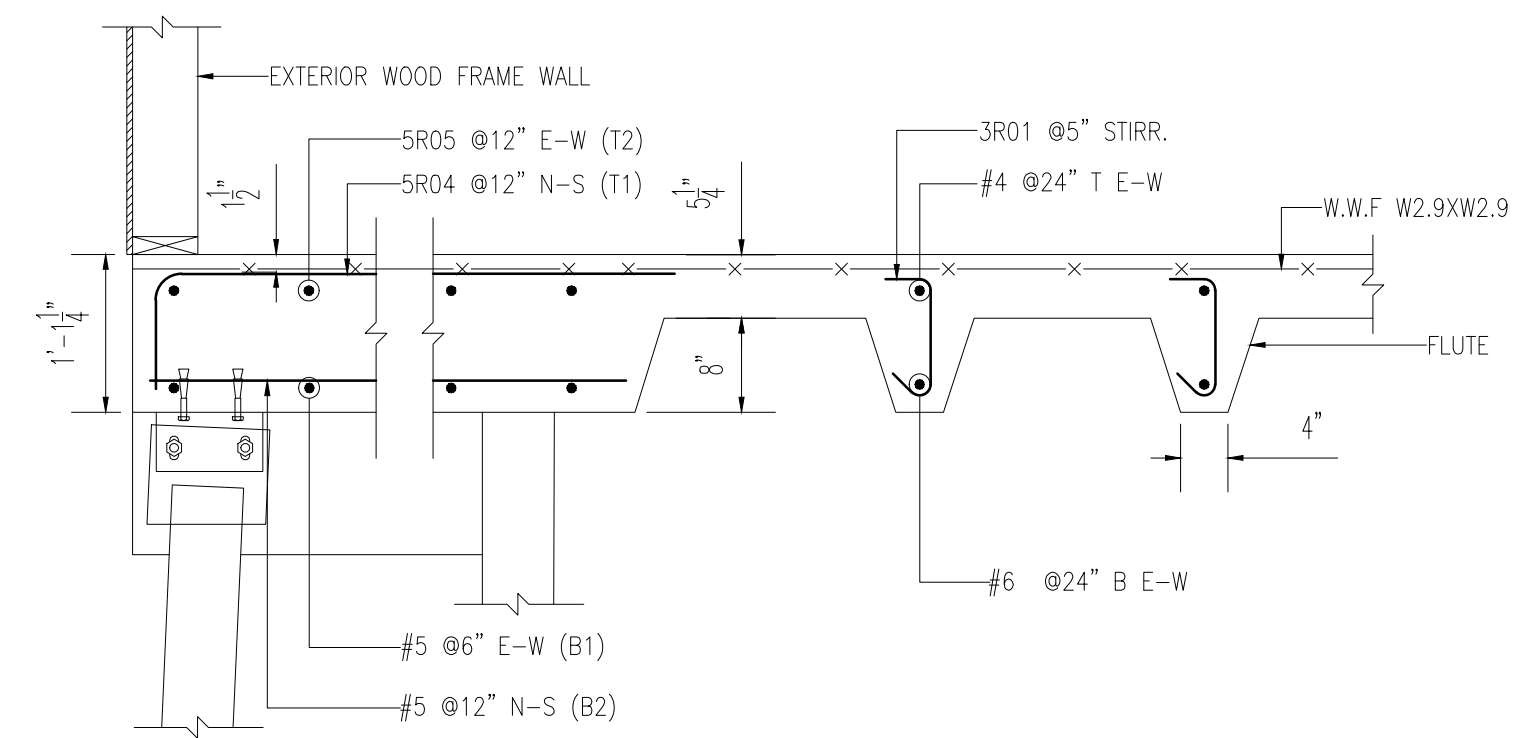
SECTION 6
SCALE: 3/4"=1'-0"
REF: 40/SD2.1

SIZE	4000 PSI	
	TOP	OTHERS
#3	24"	19"
#4	32"	25"
#5	40"	31"
#6	48"	37"
#7	70"	54"
#8	80"	62"
#9	91"	70"
#10	102"	79"
#11	113"	87"

ABBREVIATIONS	
STIRRUP	STIRR.
TOP & BOTTOM	T&B
TOP OF SLAB	T.O.S
NORTH-SOUTH	N-S
EAST-WEST	E-W



SECTION 7
SCALE: 3/4"=1'-0"
REF: 10/SD2.0



SECTION 8
SCALE: 3/4"=1'-0"
REF: 23/SD2.0

SAMPLE