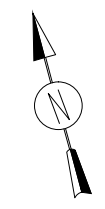
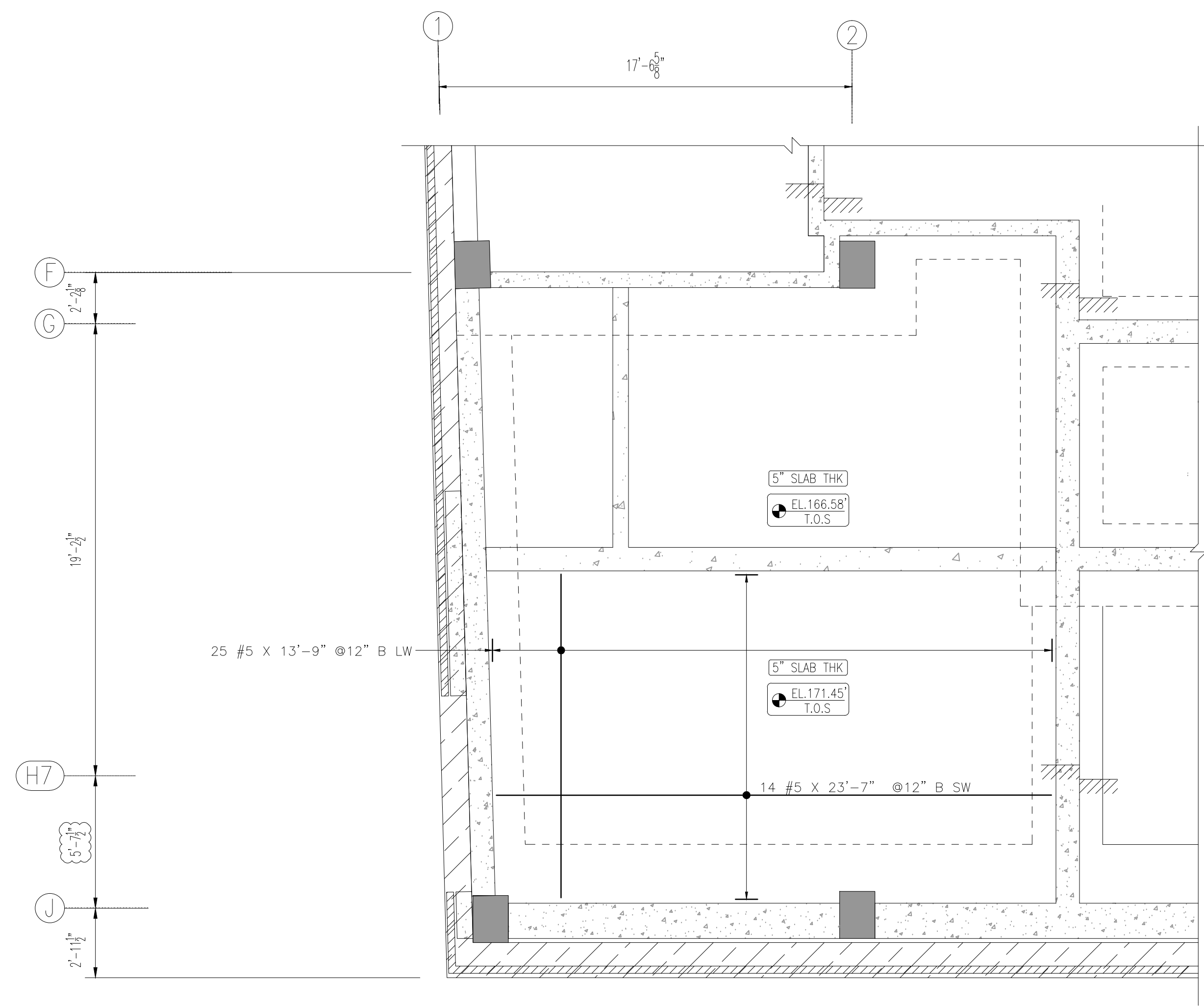


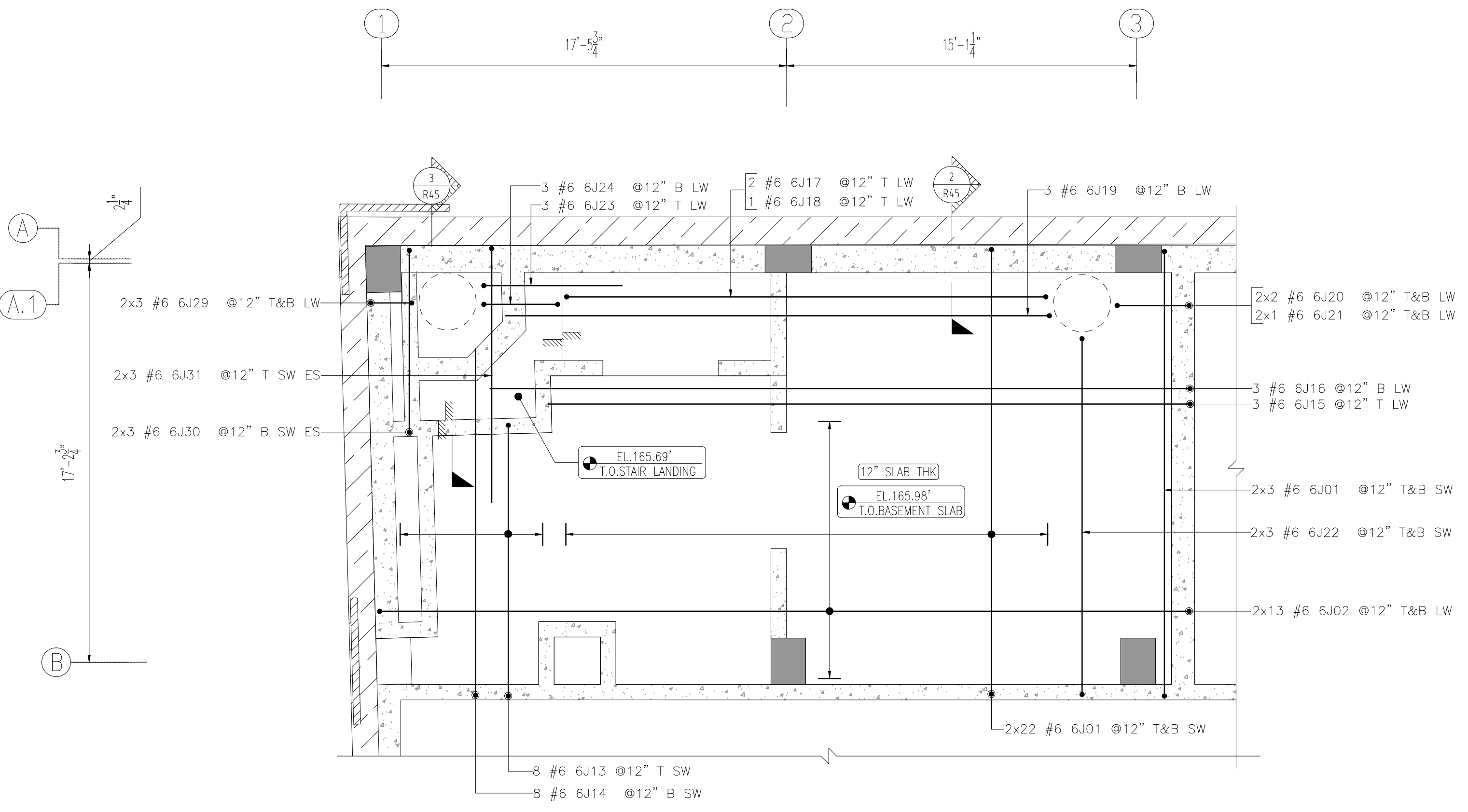
REINFORCEMENT DETAILS FOR SLAB ON GRADE LAYOUT
 SCALE - 1/8"=1'-0"
 REF: S-200



SAMPLE

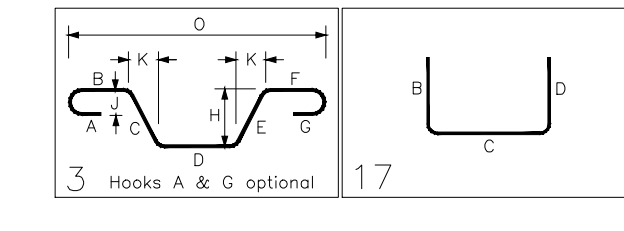


DETAIL-A
SCALE - 1/4"=1'-0"
REF: S-200



SLAB OVER WATER TANK
SCALE - 1/4"=1'-0"
REF: S-200

Release Number: R44 & R45				BAR LIST															
Bar Mark	Qty	Size	Total Length	Type	X'	Y'	Z'	W'	V'	U'	T'	S'	R'	Q'	P'	O'	N'		
5J01	2	#5	4'-10 1/2"	3				2'-1"											
6J01	50	#6	20'-9"	17				0'-9"		19'-3"		0'-9"							
6J02	26	#6	36'-6"	17				0'-9"		35'-0"		0'-9"							
6J13	8	#6	13'-6"	17				1'-0"		11'-9"		0'-9"							
6J14	8	#6	15'-9"	17				0'-9"		15'-0"		0'-9"							
6J15	3	#6	28'-6"	17				0'-9"		27'-9"		0'-9"							
6J16	3	#6	31'-0"	17				0'-9"		30'-3"		0'-9"							
6J17	2	#6	22'-9"	17				0'-9"		20'-9"		0'-9"							
6J18	1	#6	22'-9"	17				0'-9"		21'-3"		0'-9"							
6J19	3	#6	24'-9"	17				0'-9"		23'-6"		0'-9"							
6J20	4	#6	4'-8"	17				0'-9"		3'-2"		0'-9"							
6J21	2	#6	4'-5"	17				0'-9"		3'-6"		0'-9"							
6J22	6	#6	16'-11"	17				0'-9"		15'-5"		0'-9"							
6J23	3	#6	6'-9"	17				0'-9"		6'-0"		0'-9"							
6J24	3	#6	4'-9"	17				0'-9"		3'-3"		0'-9"							
6J25	3	#6	7'-9"	17				0'-9"		7'-0"		0'-9"							
6J26	3	#6	6'-4"	17				0'-9"		4'-2"		1'-0"							
6J27	4	#6	9'-0"	17				0'-9"		7'-6"		0'-9"							
6J28	4	#6	10'-6"	17				0'-9"		9'-9"		0'-9"							
6J29	6	#6	3'-4"	17				0'-9"		1'-10"		0'-9"							
6J30	6	#6	9'-5"	17				0'-9"		7'-11"		0'-9"							
6J31	6	#6	11'-9"	17				0'-9"		11'-0"		0'-9"							



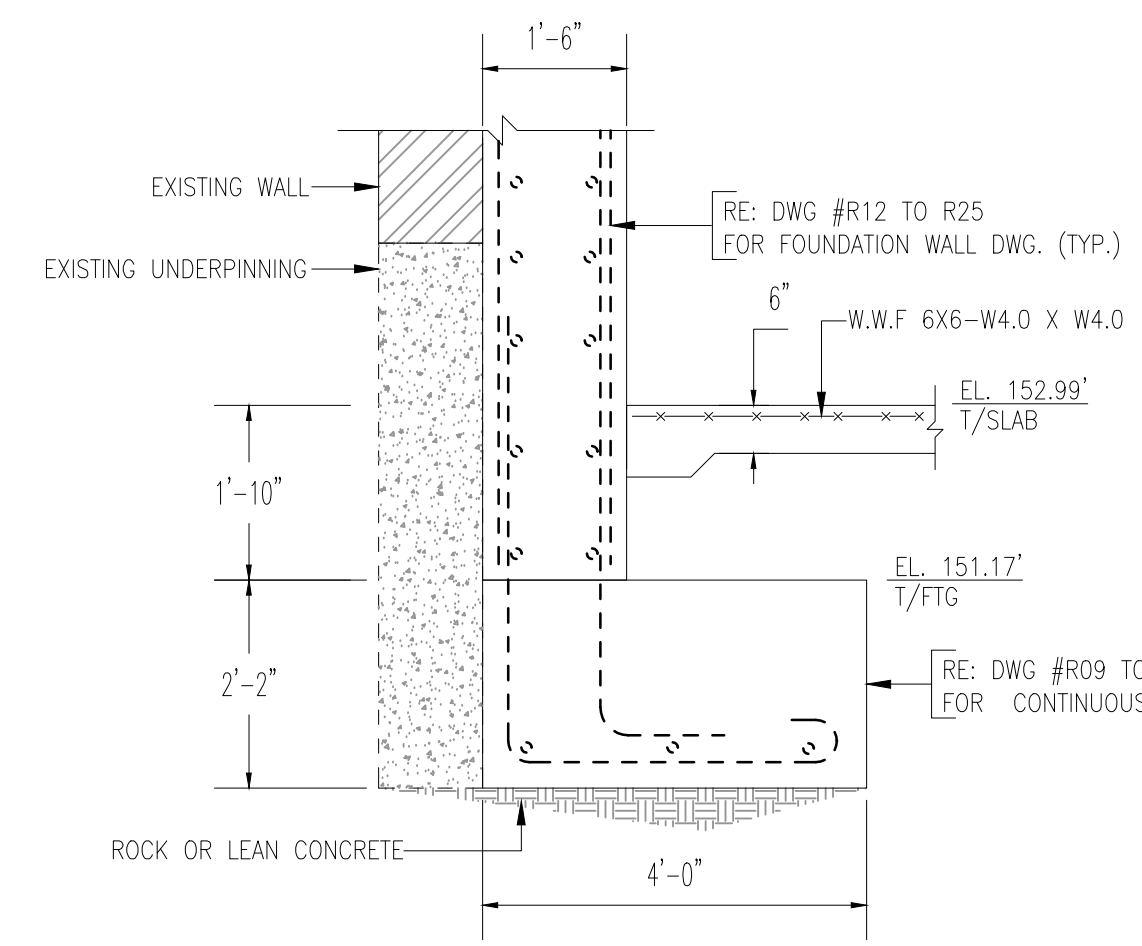
ALL BARS IN THIS DRAWING
ASTM A615 GRADE 60
BLACK UNCOATED

ABBREVIATIONS

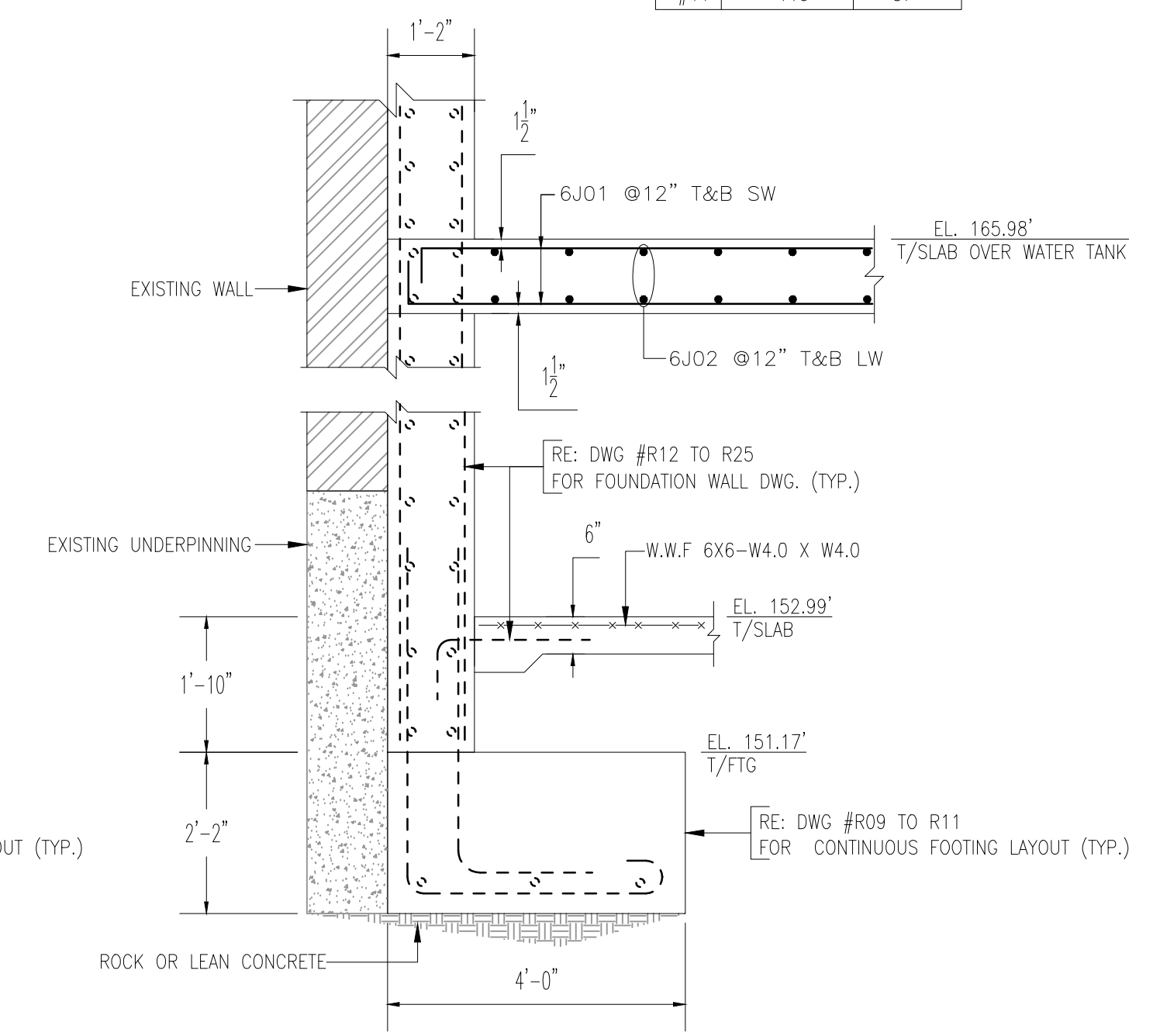
Additional	ADD'L
Top & Bottom	T&B
Top Of Slab	T/Slab
Top Of Footing	T/FTg
Long way	LW
Short way	SW
Continuous	Cont.

LAP SCHEDULE

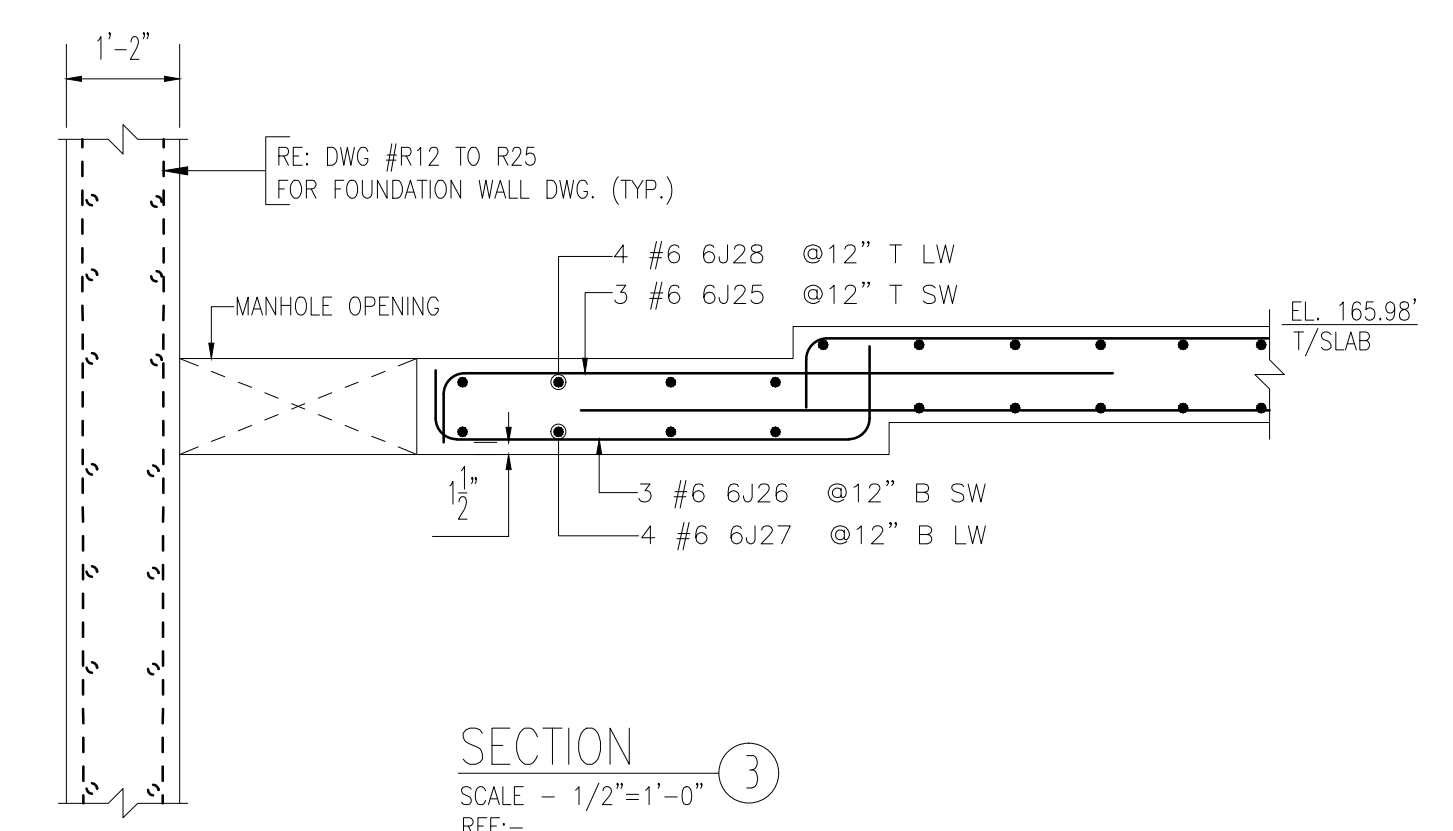
SIZE	SLAB ON GRADE(4000PSI)	OTHERS
#3	24"	19"
#4	32"	25"
#5	40"	31"
#6	48"	37"
#7	70"	54"
#8	80"	62"
#9	91"	70"
#10	102"	79"
#11	113"	87"



SECTION 1
SCALE - 1/2"=1'-0"
REF:1,1A/S-202



SECTION 2
SCALE - 1/2"=1'-0"
REF: 3/S-202



SECTION 3
SCALE - 1/2"=1'-0"
REF:-

SAMPLE